


U.I. Lapp GmbH	PRODUCT INFORMATION	
	SKINTOP® MS-M	12.09.2012

Maximum reliability
 Optimum strain relief
 Wide, variable clamping ranges
 For cable diameters up to 98 mm



Info

SKINTOP® MS-M sizes 75 x 1.5 to 110 x 2 with innovative double lamella gasket for easier assembling of cables with large diameters.
 Now with IP 69 K approval! Proven to withstand the most demanding cleaning procedures for industrial machinery with high-pressure cleaners and hot water!

Application range

In areas where mechanical and chemical stability are critical
 Chemical industry
 Measurement and control technology
 Machine and equipment manufacturing
 Plant engineering

Design

Metric connection thread acc. to EN 50262

Approvals (Norm references)

UL File Nr. E79903

Note

Counter nut to be used: SKINDICHT® SM-M
 Refer to SKINTOP® metric accessories for suitable accessories

Remark

Photographs are not to scale and do not represent detailed images of the respective products.

Technical Data


Caution:	Refer to Appendix T21 for the installation dimensions and torques
Approvals:	IP 69 K approval from size M75 x 1.5 pending. UL, CSA, DNV and VDE approval for sizes M90 x 2 to M110 x 2 pending.
Material:	Body: nickel-plated brass Insert: polyamide Sealing ring: CR O-ring: NBR
Protection rating:	IP 68 IP 69 K
Temperature range:	Dynamic: -30 °C to +100 °C Fixed: -40 °C to +100 °C

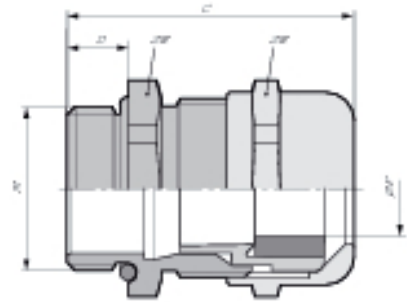
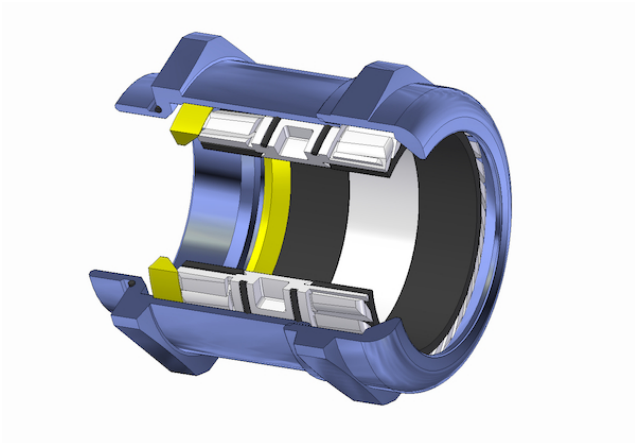
Product Management	Document: LAPP_PRO987EN.pdf	1 / 3
--------------------	-----------------------------	-------

SKINTOP® MS-M

12.09.2012

Part number	Article designation / size	Clamping range ØF (mm)	SW (mm)	Overall length/ C (mm)	Thread length inner mm
SKINTOP® MS-M/SKINTOP® MSR-M					
53112000	12 x 1,5	3-7	16	26,5	6.5
53112010	16 x 1,5	4,5-10	20	32.0	7.0
53112020	20 x 1,5	7-13	24	35,5	8.0
53112030	25 x 1,5	9-17	29	37,5	8.0
53112040	32 x 1,5	11-21	36	42,2	9.0
53112050	40 x 1,5	19-28	45	49,5	9.0
53112060	50 x 1,5	27-35	54	52.0	10.0
53112070	63 x 1,5	34-45	67	61,3	15.0
53112080	63 x 1,5 plus	44-55	75	65,5	15.0
53112510	75 x 1,5	58-68	95	105.0	15.0
53112512	90 x 2	66-78	115	136.0	20.0
53112514	110 x 2	86-98	135	154.0	25.0

U.I. Lapp GmbH	PRODUCT INFORMATION	 LAPP GROUP
	SKINTOP® MS-M	12.09.2012



Product Management	Document: LAPP_PRO987EN.pdf	3 / 3
--------------------	-----------------------------	-------