



<b>Identification</b>	Type	LOCC Box ES 7-6425
	Part-No.	716425
<b>Input</b>		
Nominal voltage	DC 12 / 24 V	
Rated current	max. DC 40 A	
Reverse voltage protection	No	
Termination	Spring terminal : 0.33 – 10 mm <sup>2</sup> (AWG 22–8)	
	conductor connection cross section, single wire (solid): max. 10 mm <sup>2</sup>	
	conductor connection cross section, fine wire: max. 6 mm <sup>2</sup>	
	conductor connection cross section, fine wire with AEH: max. 6 mm <sup>2</sup>	
<b>Load Side</b>		
Output current	max. DC 40 A	
<b>General</b>		
Housing material	PA 6.6 (UL 94-V0; NFF I2, F2)	
Field installation	rail TS 35 (EN 50022)	
Protection class	IP 20	
Installation position	Optional	
Operation temperature range	-25 °C – 60 °C	
Storage temperature range	-40 °C – 85 °C	
Dimensions (w x h x d)	10.0x119.4x63.7 mm	
Weight (kg/piece)	0.035	

20.04.2013 – Subject to technical modification

Part-No. 716425

USA: LUTZE INC.

13330 South Ridge Drive • Charlotte, NC 28273, USA  
Tel. +1 (704) 504-0222 • Fax +1 (704) 504-0223  
www.lutze.com • info@lutze.com

United Kingdom: LÜTZE Ltd.

Unit 3, Sandy Hill Park  
Sandy Way, Amington • GB-Tamworth, Staffs B77 4DU  
Tel. +44 (0)1827 31333-0 • Fax +44 (0)1827 31333-2  
www.lutze.com • sales.gb@lutze.co.uk



Approvals

cURus

20.04.2013 – Subject to technical modification

Part-No. 716425

USA: LUTZE INC.

13330 South Ridge Drive • Charlotte, NC 28273, USA  
Tel. +1 (704) 504-0222 • Fax +1 (704) 504-0223  
www.lutze.com • info@lutze.com

United Kingdom: LÜTZE Ltd.

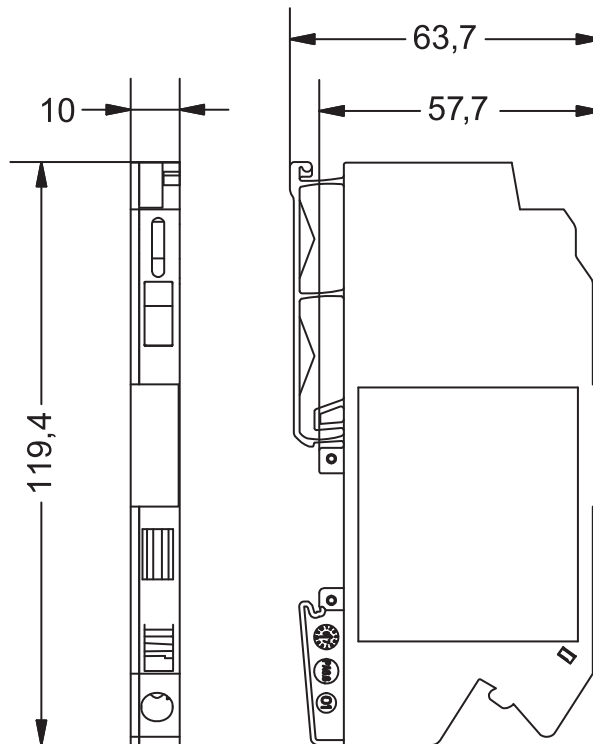
Unit 3, Sandy Hill Park  
Sandy Way, Amington • GB-Tamworth, Staffs B77 4DU  
Tel. +44 (0)1827 31333-0 • Fax +44 (0)1827 31333-2  
www.lutze.com • sales.gb@lutze.co.uk



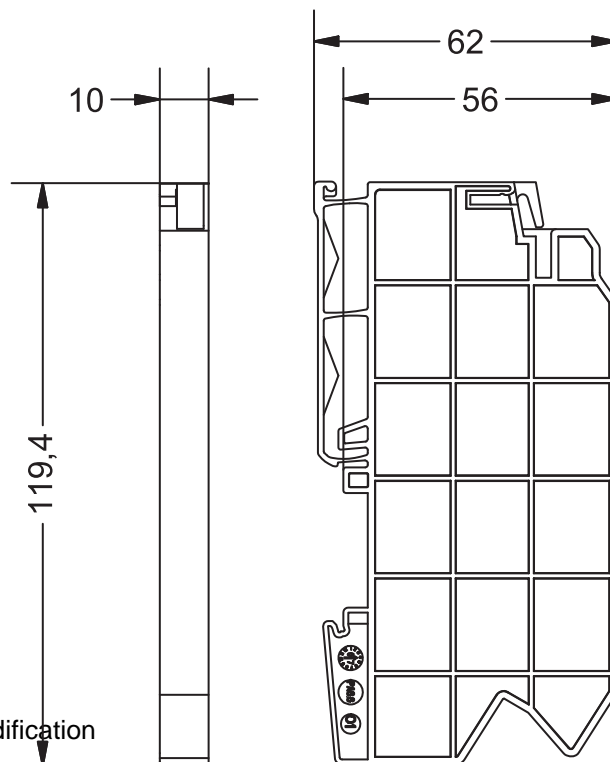
SYSTEMATIC TECHNOLOGY

Dimensions

Supply terminal



End block



20.04.2013 – Subject to technical modification

Part-No. 716425

USA: LUTZE INC.

13330 South Ridge Drive • Charlotte, NC 28273, USA

Tel. +1 (704) 504-0222 • Fax +1 (704) 504-0223

www.lutze.com • info@lutze.com

United Kingdom: LÜTZE Ltd.

Unit 3, Sandy Hill Park

Sandy Way, Amington • GB-Tamworth, Staffs B77 4DU

Tel. +44 (0)1827 31333-0 • Fax +44 (0)1827 31333-2

www.lutze.com • sales.gb@lutze.co.uk