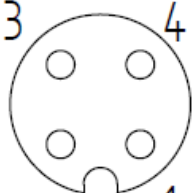
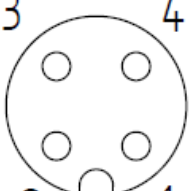
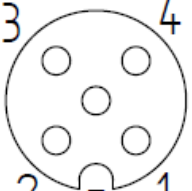
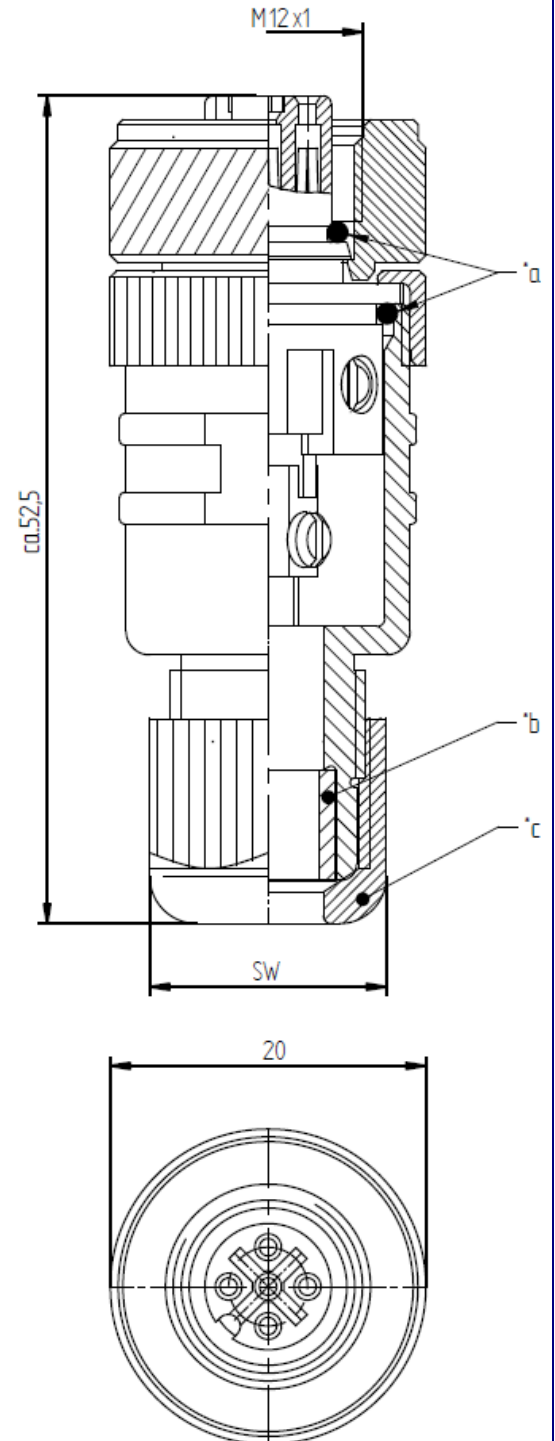


RoHS ✓

Typ/ type	Polzahl/ number of poles	Kabeldurchlass/ cable outlet	SW
RKC 4-3/7	3		Ø 3-6,5mm
RKC 4-3/9		п.с. 1	Ø 4-8mm
RKC 4/7	4		Ø 3-6,5mm
RKC 4/9		2 1	Ø 4-8mm
RKC 5/7	5		Ø 3-6,5mm
RKC 5/9		2 5 1	Ø 4-8mm



The information/details in this datasheet merely contain general descriptions or performance factors which, when applied in an actual situation, do not always correspond with the described form, and may be amended by way of the further development of products. The desired performance factors shall only be binding if these are expressly agreed on conclusion of the contract.



**Product description**

Description	female connector with threaded joint
Type	RKC
Type of contacts	female, screw terminal
Number of contacts	3, 4, 5
Cable gland	PG 7 and PG 9, see standard products

**Technical data**

Rated current *	4 A
Rated impulse voltage	3 - 4 pin: 2,0 kV 5 pin: 1,5 kV
Rated voltage	3 - 4 pin: 240 V 5 pin: 60 V
Insulation resistance	> 10 <sup>9</sup> Ohm
Contact resistance	≤ 5 mOhm
Pollution degree	3 acc. to DIN EN 60664-1 (VDE0110)
Type of connection	screw terminal
Suitable cables	max. 0,75 mm <sup>2</sup>
Suitable cables	see table page 1

\* Notice derating

**Materials**

Contact bearer	PBT, black
Housing	PBT, black
Contact	CuZn
Contact surface	pre-coppered, CuSnZn
Knurled nut	CuZn, nickel-plated
Coupling nut	PBT, black
Cup nut	PBT, black
Gasket(s)	NBR
O-ring	FKM

**Environmental conditions**

Protection class (IEC 60529) *	IP67
Temperature range (connector)	-25°C to +90°C, notice Derating

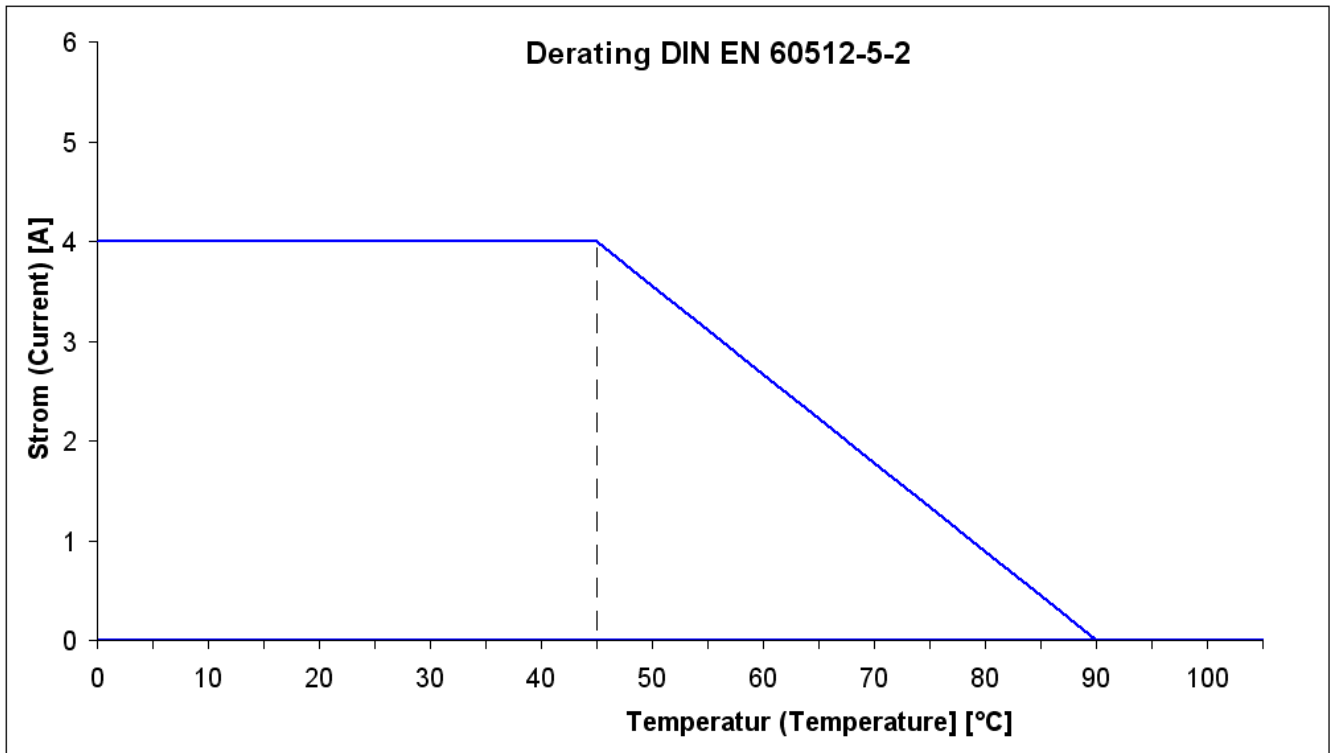
Good chemical resistance.

The resistance has to be checked in individual cases.

\* only if mounted and locked in combination with the corresponding connector

**Cutline**

- \*a o-ring
- \*b gasket
- \*c cup nut



**Standard products**

Artikel-No.	Type
000-011-212	RKC 4/3/7
000-011-213	RKC 4/3/9
000-011-214	RKC 4/7
000-011-215	RKC 4/9
000-011-220	RKC 5/7
000-011-221	RKC 5/9
000-079-115	RKC 4/7 P4