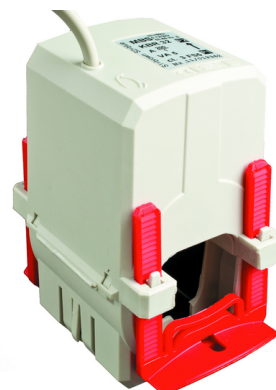




Product range >> Current transformers for industry >> Split core current transformers (KBR/KBU)

art. nr.: 44-5011

KBR 44 400/5A 5VA CI.1FS5



Electrical Attributes:

Primary current:	400 A
Secondary current:	5 A
Burden:	5 VA
voltage output:	- mV
Current output:	- {mA}
Class:	1

Dimensions:

Round conductor:	44 mm
Width:	72,2 mm
Height:	120,6 mm
Depth:	98 mm

Technical details:

Therm. nominal continuous current I_{cth} : $1,2 \times I_N$
Therm. nominal short-time current I_{th} : $60 \times I_N$, 1 sec.
Max. operating voltage U_m : 0.72 kV
Isolation test voltage: 3 kV, U_{eff} , 50 Hz, 1 min.
Nominal rated frequency: 50 Hz
Isolation class: E
Technical standards used IEC 61869-1/2

Further information:

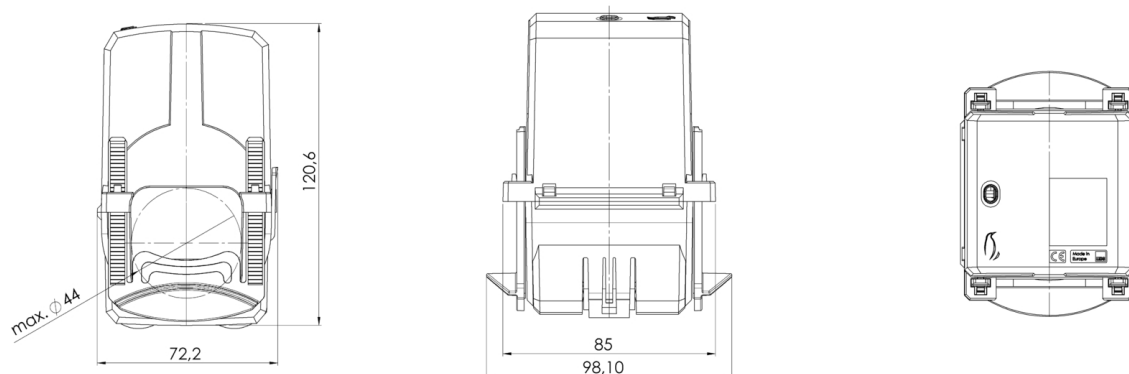
Over-current limiting factor:	See rating plate
Working temperature range:	$-5^{\circ}\text{C} < T < +50^{\circ}\text{C}$
Storage temperature range:	$-25^{\circ}\text{C} < T < +70^{\circ}\text{C}$
Unbreakable plastic housing made of grey polyamide:	flame resistant
Package quantity:	1 pcs.
Custom tariff number:	85043129



MBS AG 'Sulzbach Messwandler'



Dimensions:



Contact:

MBS AG
Sulzbach Messwandler
Eisbachstraße 51
D-74429 Sulzbach-Laufen

Tel.: +49 7976 9851-0
Fax: +49 7976 9851-90
orders@mbs-ag.com

