

Data sheet

KRA-SR-M8/21, 1 changeover contact, 24 V AC/DC

Page 1/6

P/N

11064513

EAN 4250184122838

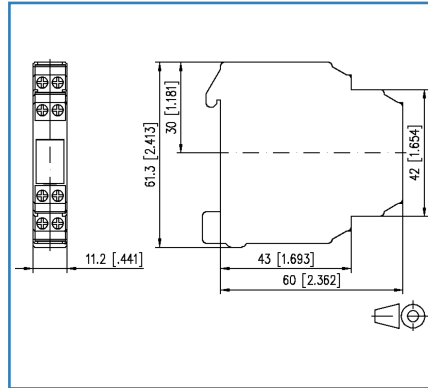
2020/11/03

Version: A

Illustrations



Dimensional drawing



Wiring

A1	A2
B1	B2
11	A3
12	14

A1 - A2
A3 - A2
 operating voltage
B1 - B2
 switching contact
11 - 12 - 14
 output contact
 1 changeover

See enlarged drawings at the end of document

Product specification

Coupling devices are used to electrical isolation between logic and load.

- Connection with screw-type terminals
- closed compact series
- integrated protective circuit
- with manual control level and automatic checkback



KRA-SR-M8/21, 1 changeover contact, 24 V AC/DC

P/N

11064513

EAN 4250184122838

2020/11/03

Version: A

Technical Data

Supply	
Operating voltage	24 V AC/DC -10% ... +10%
Power consumption (max.)	13 mA
Response time typical	10 ms
Release time typical	5 ms
Manual control level	
Mechanical life	6x10 ⁴ switchings
Switching capacity (max.)	48 V AC/DC / 50 mA
Switching capacity (min.)	20 mV AC / 1 µA
Test voltage	500 V, 50 Hz, 1 min
Outputs	
Contacts	1 changeover contact
Contact material	AgSnO ₂
Switching voltage	250 V AC/DC
Switch-on current	8 A
Continuous Current	6 A
Switching frequency	600 switching cycles/h
Breaking capacity (resistive load)	
Mechanical life	2x10 ⁷ switching cycles
Electrical life	1x10 ⁵ switching cycles
Indicator	red LED
Insulation coil - contact set	
Nominal voltage of the power supply system	230 / 400 V AC
Overvoltage category	III II
Pollution degree	2 2
Rated test voltage	4 kV 2.5 kV
Type of insulation	basic insulation reinforced insulation
Housing	
Dimensions	
Dimension (W x H x D)	11.2 mm x 61.3 mm x 60 mm
Dimension (W x H x D)	0.441 in. x 2.413 in. x 2.362 in.
Total depth with switch/plug	69 mm
Weight	45 g
Mounting style	Standard rail TH35
Built-in	any

© 2020 METZ CONNECT - Technische Änderungen vorbehalten! Subject to modifications! Sous réserve de modifications techniques!

Technical Data

Housing	
Apposition	without distance
Connection type	Screw type terminal blocks
Terminal blocks	
Wire cross section solid	0.2 mm ² - 2.5 mm ² / AWG 22-12
Wire cross section multi	0.25 mm ² - 2.5 mm ² / AWG 22-12
Wire cross section with wire ferrule	0.25 mm ² - 2.5 mm ² / AWG 22-12
Screw torque (max.)	0.5 Nm
Stripping length (min.)	8 mm
Material	
Material - Housing	Polyamid 6.6 V0
Color	gray
Material - Terminal block	Polyamid 6.6 V0
REACH - substance (SVHC)	Lead / 7439-92-1
Protection category according to IEC 60529	
Protection category - housing (acc. to IEC 60529)	IP40
Protection category - terminal blocks (acc. to IEC 60529)	IP20
Temperature range	
Operating	
Temperature - Operating °C	-20 °C - 55 °C
Temperature - Operating °F	-4 °F - 131 °F
Storage	
Temperature - Storage °C	-25 °C - 70 °C
Temperature - Storage °F	-13 °F - 158 °F
Power loss	
Power loss (typical) coil	300 mW
Power loss (typical) Contact rate	700 mW
Classifications	
ETIM 6.0	EC000310
ETIM 7.0	EC001437

Data sheet

KRA-SR-M8/21, 1 changeover contact, 24 V AC/DC

Page 4/6

P/N

11064513

EAN 4250184122838

2020/11/03

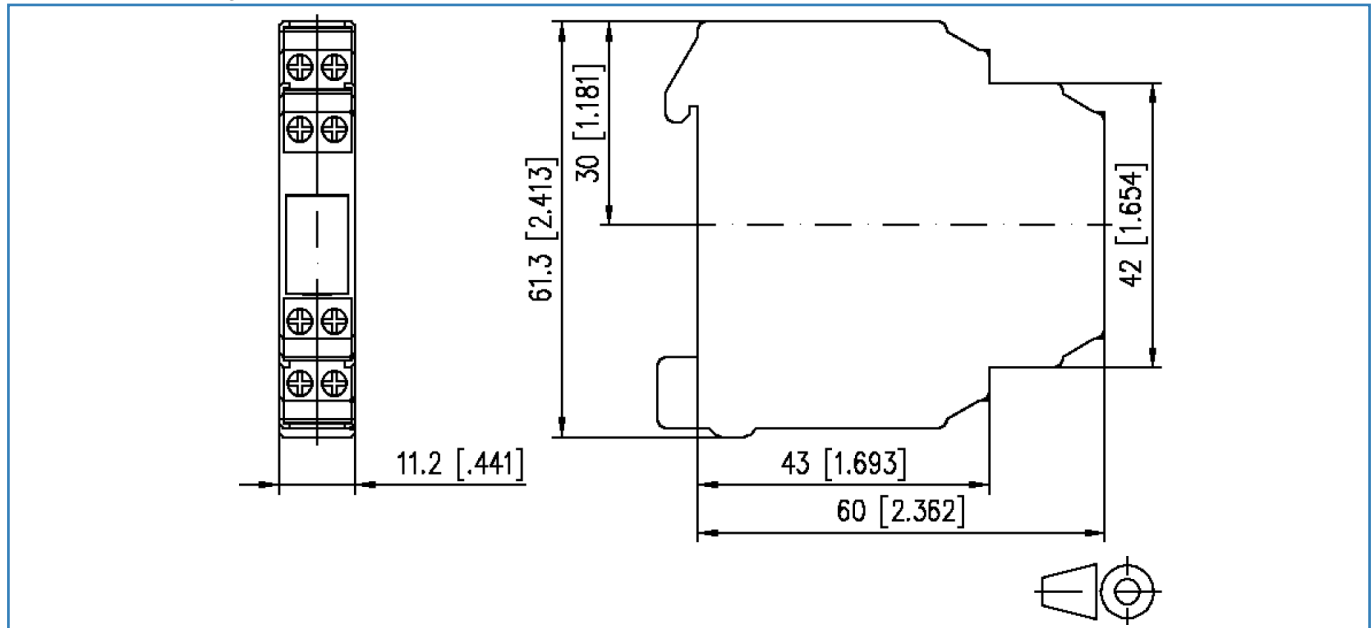
Version: A

Accessories

P/N	Designation
820234-01-9	Labeling plate white
850349-02	Connecting bridge, 10 pole

Illustrations

Dimensional drawing



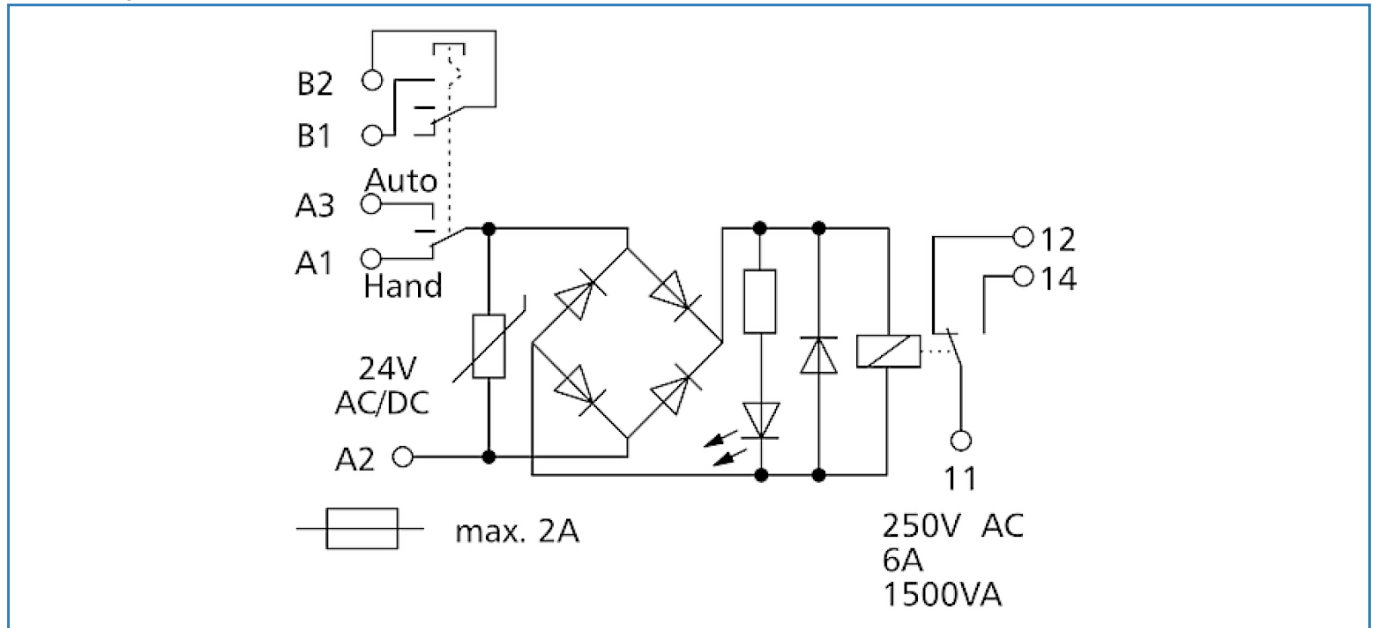
Wiring

A1	A2
B1	B2
11	A3
12	14

A1 - A2
A3 - A2
 operating voltage
B1 - B2
 switching contact
11 - 12 - 14
 output contact
 1 changeover

Illustrations

Circuit diagram



© 2020 METZ CONNECT - Technische Änderungen vorbehalten! Subject to modifications! Sous réserve de modifications techniques!