

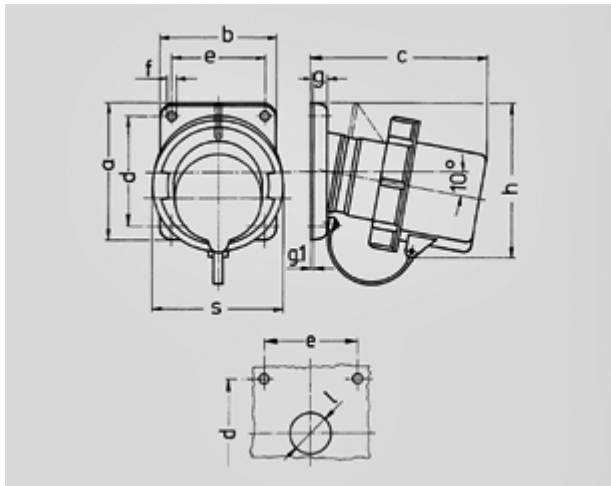
## Panel mounted inlet - Part no. 1254



- screw terminals
- with protective cover

Protection type	IP 67
Ampere	32A
Poles	5p
Voltage	400V
Hertz	50-60 Hz
Earth position	6h
Contact	standard
Connection technology	Screw terminals

Std. Pack. 10/5 Qty.



Drawing	Amp.	16		32	63	
		3	5	5	4	5
2 MB 62	Poles					
Dim. in mm	a	85	85	85	108	108
	b	85	85	85	101	101
	c	132	132	137	164	164
	d	70	70	70	85	85
	e	70	70	70	77	77
	f	6,3	6,3	6,3	6,5	6,5
	g.	11	11	11	12	12
	g.1	2	2	2	2	2
	h	100	107	111	130	130
	s	70	86	102	114	114
	l	30	30	30	40	40
Terminal for cond. cross section (mm <sup>2</sup> ) min.-max.		1	1	2,5	6	6
		-2,5	-2,5	-6	-16	-16