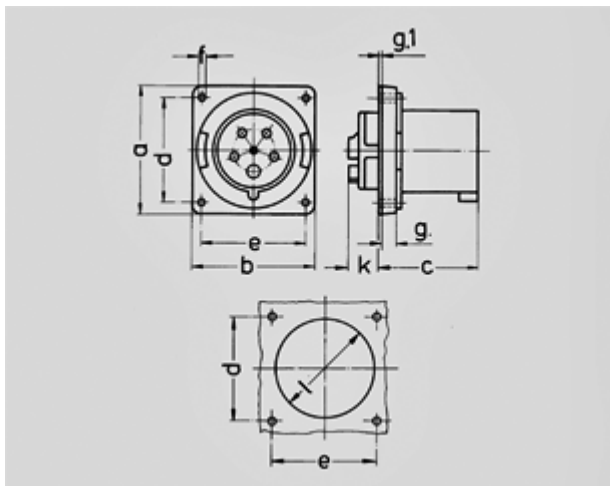


Panel mounted inlet - Part no. 1688


- screw terminals
- highly heat resistant contact carrier
- nickel plated contacts
- a retaining nose to hold the hinged lid of the connector must be provided by the customer in order to ensure satisfactory locking

Protection type	IP 44
Ampere	63A
Poles	5p
Voltage	400V
Hertz	50-60Hz
Earth position	6h
Contact	nickel plated contacts, highly heat resistant contact carrier
Connection technology	Screw terminals

Std. Pack. 5 Qty.



Drawing	Amp.	63		
		3	4	5
2 MB 155	Poles			
Dim. in mm	a	110	110	110
	b	106	106	106
	c	86	86	86
	d	90	90	90
	e	90	90	90
	f	5,5	5,5	5,5
	g.	12	12	12
	g.1	2	2	2
	k	28	28	28
	l	86	86	86
	Terminal for cond. cross section (mm ²) min.-max.	6	6	6
		-16	-16	-16