

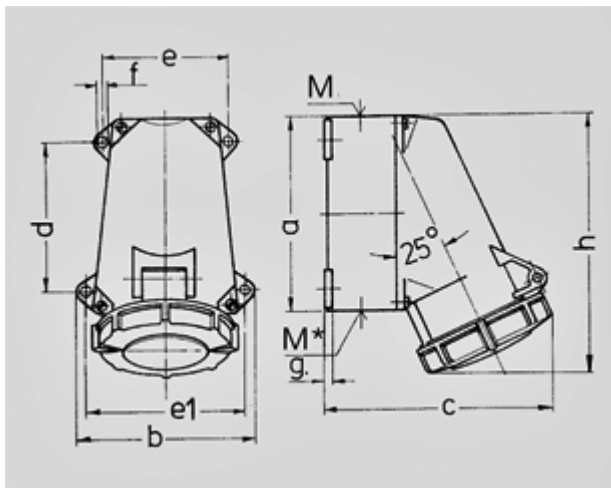
## Receptacle - Part no. 2904



- screw terminals
- with four external fixings
- one cable entry at top and one blind cable entry (can be cut out) at bottom

Protection type	IP 67
Ampere	16A
Poles	3p
Earth position	12h
Contact	standard
Connection technology	Screw terminals

Std. Pack. 10 Qty.



Drawing	Amp.	16			32		
		3	4	5	3	4	5
<b>1 MB 219</b>	<b>Poles</b>						
<b>Dim. in mm</b>	<b>a</b>	95	95	95	120	120	120
	<b>b</b>	102	102	102	112	112	112
	<b>c</b>	115	124	129	143	143	150
	<b>d</b>	64,2	64,2	64,2	90,2	90,2	90,2
	<b>e</b>	77,5	77,5	77,5	79	79	79
	<b>e1</b>	88	88	88	98,5	98,5	98,5
	<b>f</b>	5,5	5,5	5,5	5,5	5,5	5,5
	<b>g</b>	5	5	5	5	5	5
	<b>h</b>	128	128	132	160	160	160
	<b>M</b>	25	25	25	32	32	32
	<b>M*</b>	25	25	25	M32 (blind)		
		(blind) to be cut out			to be cut out		
	<b>Max. cable diam. (mm)</b>	15	18	18	25	25	25
	<b>Terminal for cond. cross section (mm²) min.-max.</b>	1,5	1,5	1,5	2,5	2,5	2,5
		-4	-4	-4	-10	-10	-10