

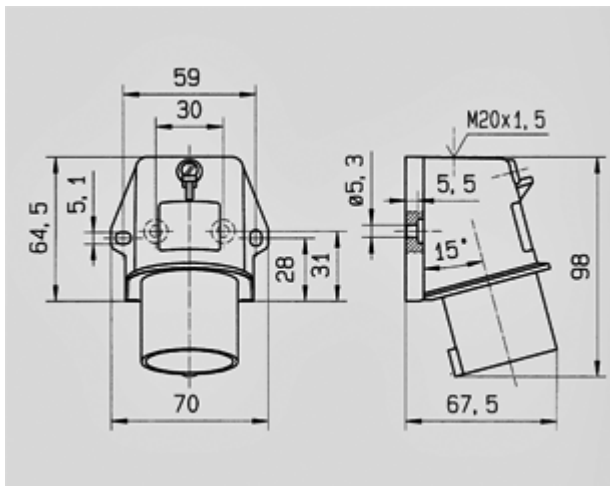
Wall mounted inlet - Part no. 844



- screw terminals
- for internal or external fixing
- cable entry also possible from top or from the rear
- for hinged lids for retrofit see accessories

Protection type	IP 44
Ampere	16A
Poles	3p
Voltage	230V
Hertz	50-60 Hz
Earth position	6h
Contact	standard
Connection technology	Screw terminals

Std. Pack. 10 Qty.

Drawing
2 MB 213

Dim. in mm