



## MOULDED ENCLOSURE CI44

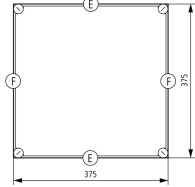
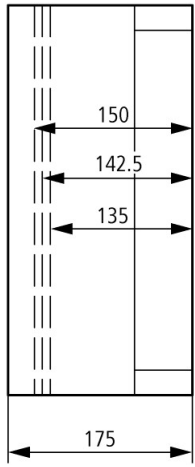
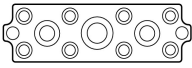
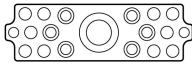
Part no. CI44E-150

Article no. 033809



- With metric knockouts in all enclosure sides, side walls can be knocked out

### Delivery programme

Dimensions		mm	
Enclosure depth: Dimensions from top: 1. Mounting depth for mounting plate 2. Mounting depth for mounting rails, 7.5 mm height 3. Mounting depth for mounting rails, 15 mm height 4. Enclosure depth		mm	
Cover			Transparent
Design			-
Housing material			-
<b>Notes</b>			
<b>E</b>		<b>F</b>	
	1 × M50/32		1 × M63/40
	2 × M40/25		6 × M25/16
	8 × M25/16		10 × M20
	2 × M20		2 × M16

### General

Standards			IEC/EN 60529 EN 50262 DIN 43656 DIN 43660
Climatic proofing			Damp heat, constant, to IEC 60068-2-78 Damp heat, cyclical, to IEC 60068-2-30
Ambient temperature		°C	&#8211; -40 - 80
Protection type			IP 65

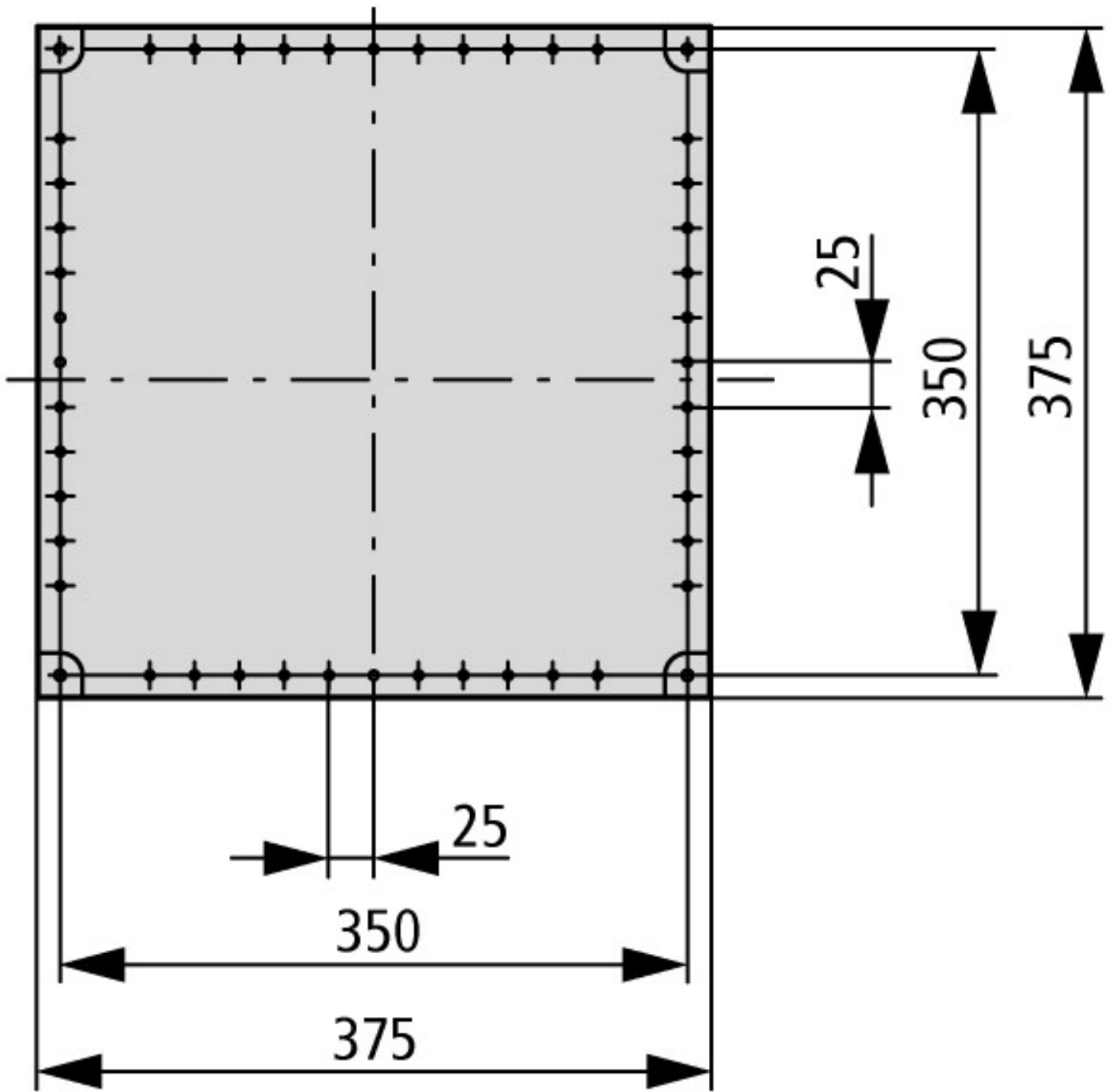
### Material characteristics

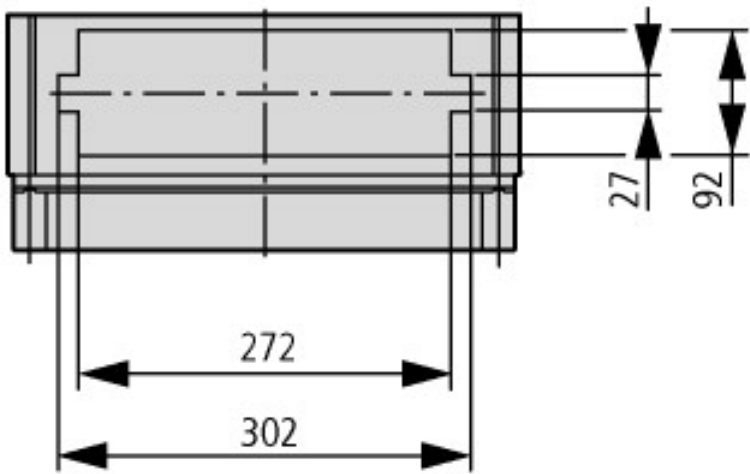
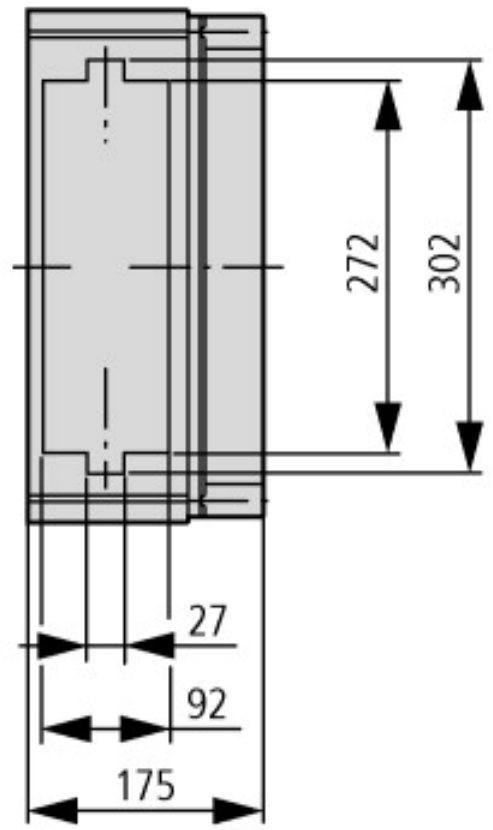
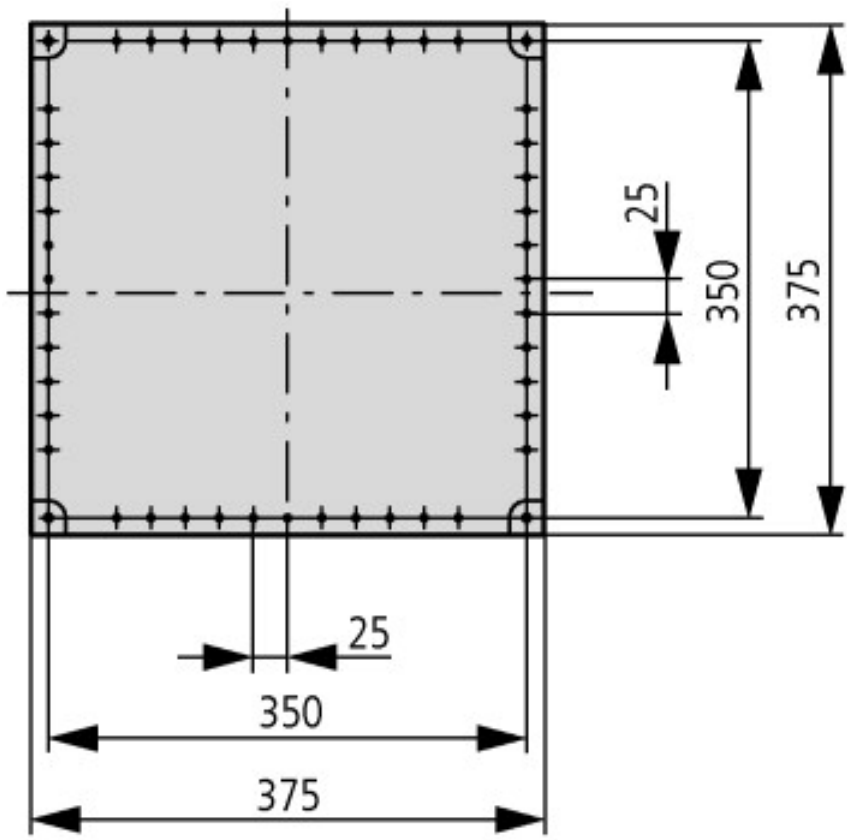
Material			
Base			Glass-fibre reinforced polycarbonate
Cover			Polycarbonate, not reinforced
Surface treatment			Resistant to corrosion
Colour			
Base			RAL 7032, pebble grey
Cover			Transparent, colourless or RAL 7032, pebble grey

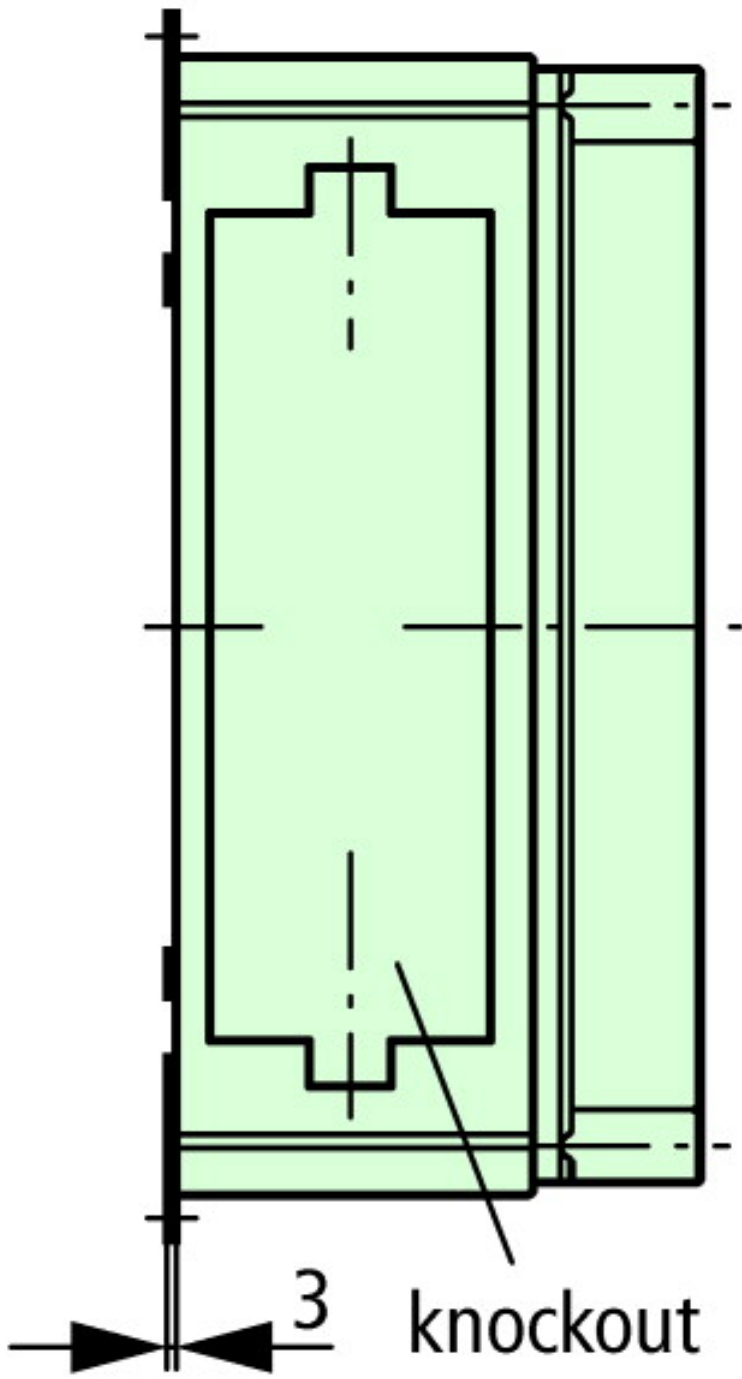
### Material properties

Electrical			
Creepage resistance to IEC 60112			
Base			KB160, KC175
Cover			KB100, KC200
Surface resistance to IEC 60093		# x 10 <sup>13</sup>	1
Dielectric strength to IEC 60243-1		kV/mm	30
Thermal			
Continuous thermal stability			
Enclosures		°C	-40 ... 120
Enclosure bolt		°C	85
Gasket		°C	80
Mechanical			
IK code to EN 50102			Please enquire
Loading capacity		kg	20
Chemical resistance			
Resistant			Acids &lt; 10 %, mineral oil, alcohol, petrol, grease, saline solution
Partially resistant			Acids &gt; 10 %
Not resistant			Alkalis, benzol
Atmospheric			
Saline spray			IEC 60068-2-11
UV resistance			Beneath protective shield
Water consumption to DIN EN ISO 62		%	0.29
Flammability characteristics			
Glow wire to VDE 0471 Part 2		°C	960
UL			
Base			UL94V1
Cover			UL94V2
Halogen free			Yes (Base and cover)

## Dimensions







t = 150/175/225//275 mm

open

