



## I2/SVB main switch

Part no.

P1-25/I2/SVB/HI11

Article no.

207297



IP 65

IP 65

### Delivery programme

			As Emergency-Stop device
			With auxiliary contacts
Contact sequence			
Main conducting paths			
No. of poles		M	3
Auxiliary contacts		N/O	1
		B	1
Max. motor rating			
AC-23A			
400/415 V 50-60 Hz	<i>P</i>	kW	13
Rated uninterrupted current	<i>I<sub>u</sub></i>	A	25
Design			Surface mounting
Note for table header According to IEC/EN 60204-1, VDE 0113 Part 1; with red rotary handle and yellow locking collar, lockable in 0 position			

### General

Standards			IEC/EN 60947, VDE 0660, IEC/EN 60204, CSA, UL switch disconnecter according to IEC/EN 60947-3
Lifespan, mechanical	Operations	$\times 10^6$	0.3
Maximum operating frequency	Operations/h		50
Climatic proofing			Damp heat, constant, to IEC 60068-2-78; Damp heat, cyclical, to IEC 60068-2-30
Ambient temperature		°C	
Open		°C	--25 ... 50
Enclosed		°C	--25 ... 40
Mounting position			As required
Mechanical shock resistance to IEC 60068-2-27	Half-sinusoidal shock 20 ms	g	> 15

### Contacts

Rated operational voltage	<i>U<sub>e</sub></i>	V AC	690
Rated impulse withstand voltage	<i>U<sub>imp</sub></i>	V AC	6000
Overvoltage category/pollution degree			III/3
Rated uninterrupted current	<i>I<sub>u</sub></i>	A	
open	<i>I<sub>u</sub></i>	A	25
Enclosed	<i>I<sub>u</sub></i>	A	25
Load rating with intermittent operation, class 12			
AB 25 % DF		$\times I_e$	2
AB 40 % DF		$\times I_e$	1.6
AB 60 % DF		$\times I_e$	1.3
Short-circuit rating			
Fuse		A gG/gL	25

Rated short-time withstand current (1 s current)	$I_{cw}$	$A_{rms}$	640
Switching angles		°	90
Current heat loss per contact at $I_e$		W	1.1

### Terminal capacities

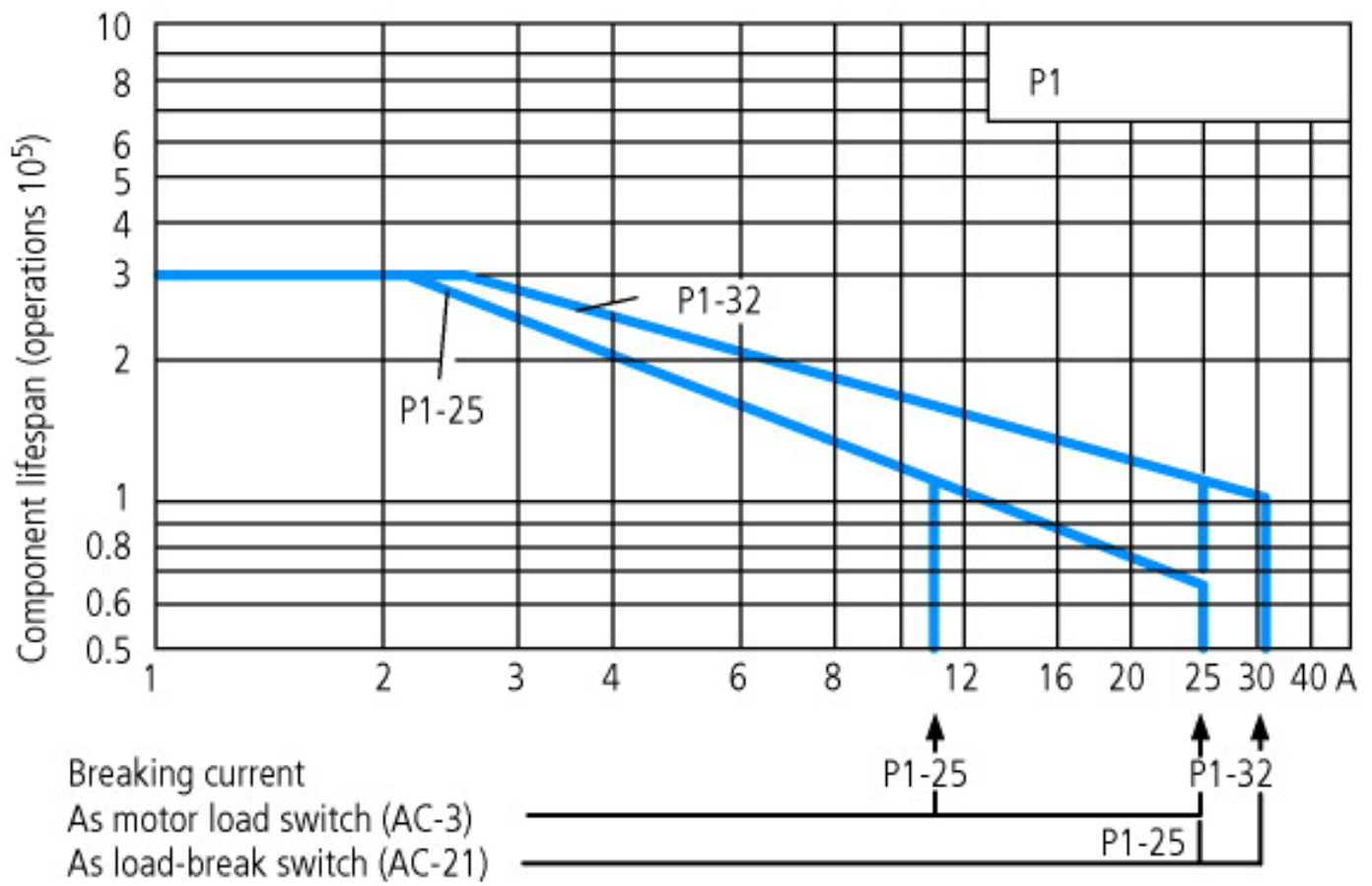
Solid or stranded		mm <sup>2</sup>	1 × (1.5 – 6) 2 × (1.5 – 6)
Flexible with ferrule to DIN 46228		mm <sup>2</sup>	1 × (1 – 4) 2 × (1 – 4)
Terminal screw			M4
Tightening torque		Nm	1.6

### Switching capacity

AC		× $U_s$	
Rated making capacity $\cos \varphi = 0.35$		A	240
Rated breaking capacity, motor load switch $\cos \varphi = 0.35$		A	
230 V		A	190
400 V		A	150
500 V		A	170
690 V		A	150
Rated operational current 440 V load-break switch AC-21A	$I_e$	A	25
AC-23A Motor load switches (main switches maintenance switches)	P	kW	
230 V	P	kW	7
400 V	P	kW	13
500 V	P	kW	11
690 V	P	kW	11
DC		× $U_s$	
DC-1, Load-break switches L/R = 1 ms			
Rated operational current	$I_e$	A	25
Voltage per contact pair in series		V	60
DC-23A, motor load switch L/R = 15 ms			
24 V			
Rated operational current	$I_e$	A	25
Contacts		Quantity	1
48 V			
Rated operational current	$I_e$	A	25
Contacts		Quantity	2
60 V			
Rated operational current	$I_e$	A	25
Contacts		Quantity	3
120 V			
Rated operational current	$I_e$	A	12
Contacts		Quantity	3

### Notes

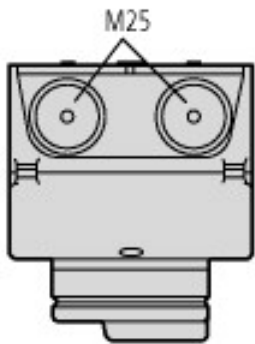
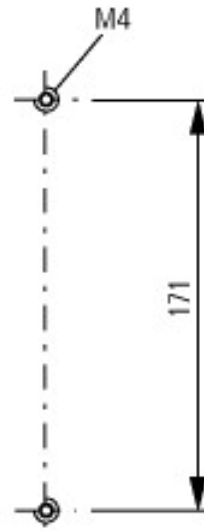
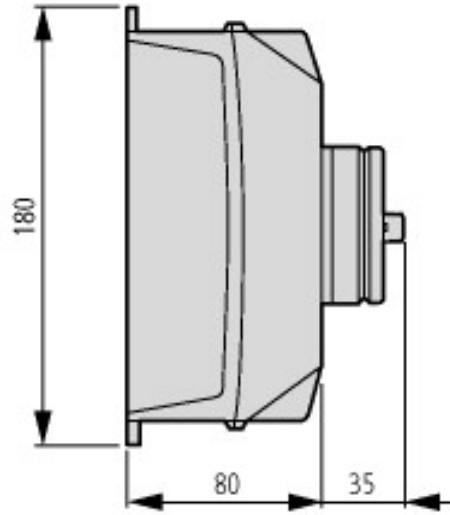
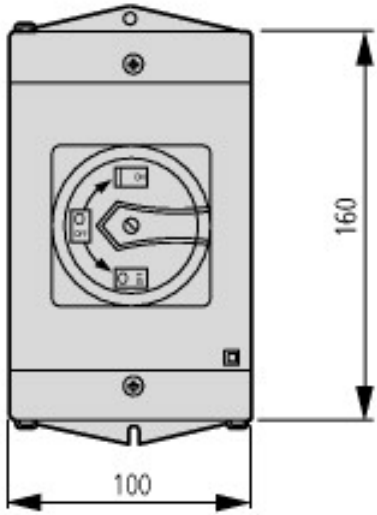
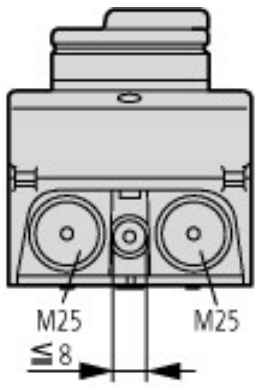
**Notes** Main switch characteristics to IEC/EN 60204; positive opening of contacts, operator element positively located on shaft  
The rated uninterrupted current  $I_u$  is stated at max. connected cross-section.  
For terminal capacity solid, stranded and flexible:  
Max. 2 cross-section sizes difference admissible when using 2 conductors.

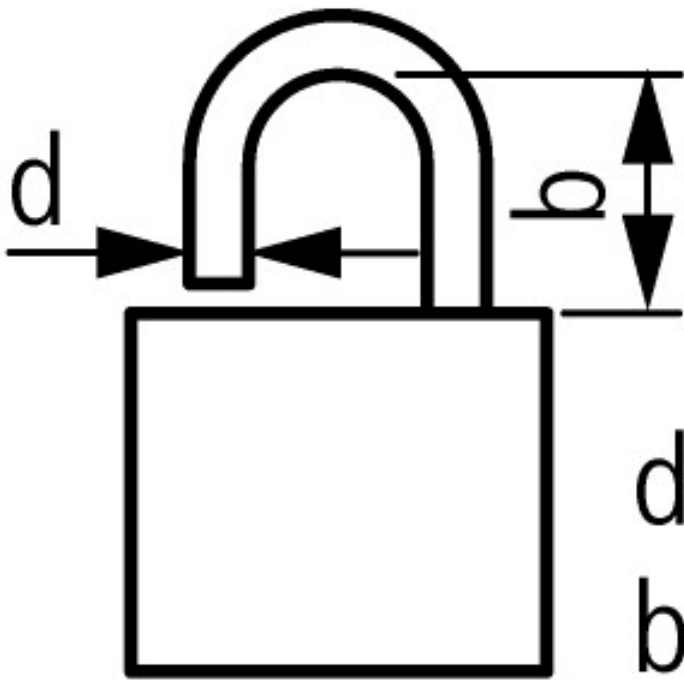


For utilisation category AC-4 (extreme load: 100 % inching, reversing or plugging)

The blocked rotor current of the motor should not exceed the rated current of the switch for AC-21A to ensure a reasonable device lifespan.

### Dimensions





$$d = 4 - 8 \text{ mm}$$

$$b + d \leq 47 \text{ mm}$$

 3 Padlocks

### Additional product information (links)

#### Installation instructions

AWA1150-1689 Switch-disconnector in enclosure

[ftp://ftp.moeller.net/DOCUMENTATION/AWA\\_INSTRUCTIONS/16890304.pdf](ftp://ftp.moeller.net/DOCUMENTATION/AWA_INSTRUCTIONS/16890304.pdf)