



Legend plate mount, without plate



Powering Business Worldwide™

Part no. M22S-ST-X
Article no. 216392
Catalog No. M22S-ST-XQ

Delivery programme

Product range
Basic function
Basic function accessories
Single unit/Complete unit

Width mm
Height mm
Design
Colour
RAL Value

RMQ-Titan (drilling dimensions 22.5 mm)
Accessories
Legend holder
Single unit
Without label
30
50
Round
Black
RAL 9005

Protection type
For use with
Connection to SmartWire-DT

IP66
for actuators
no

Notes

Cannot be used for M22(S)-PV...



Approvals

North America Certification

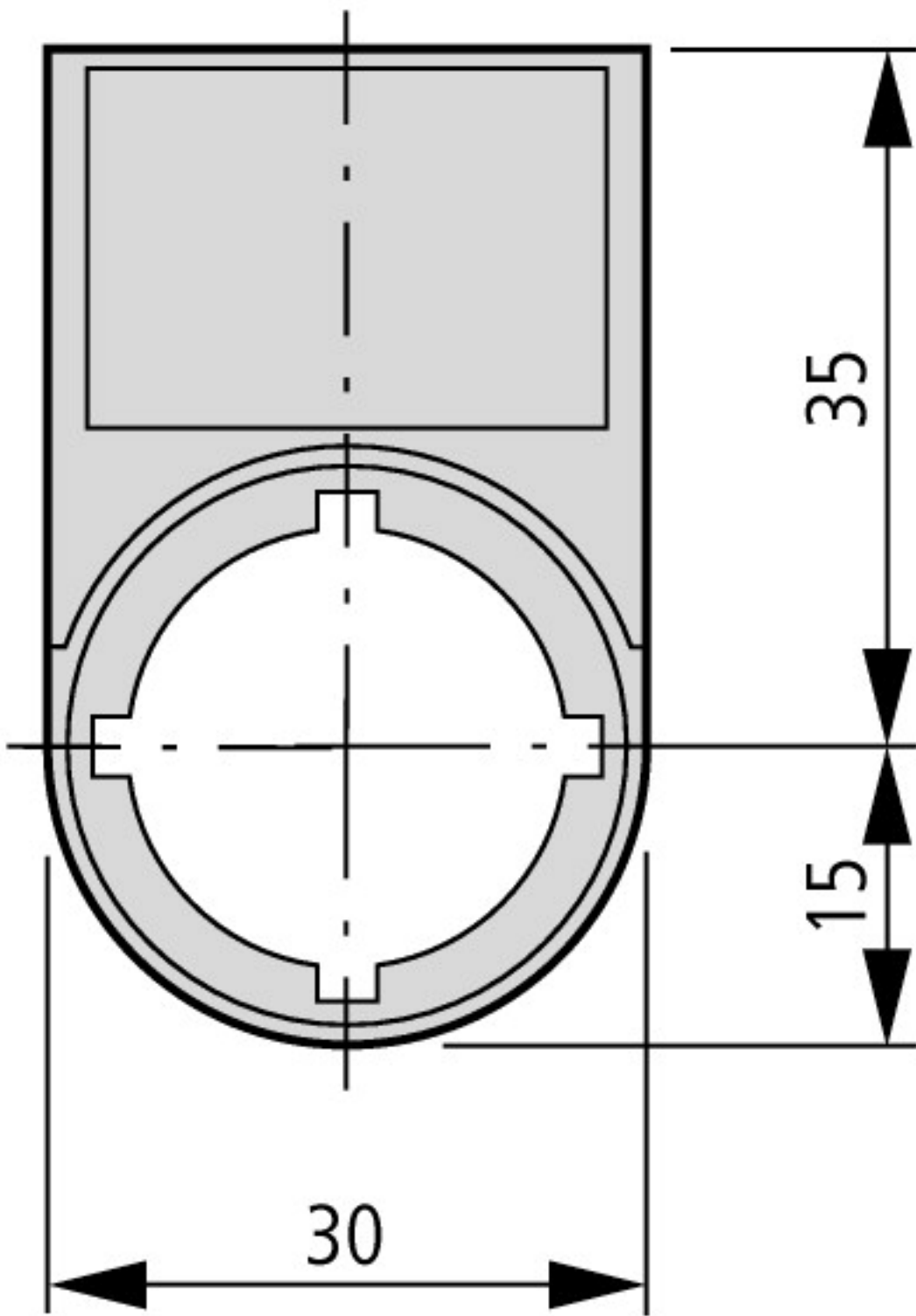
UL/CSA certification not required

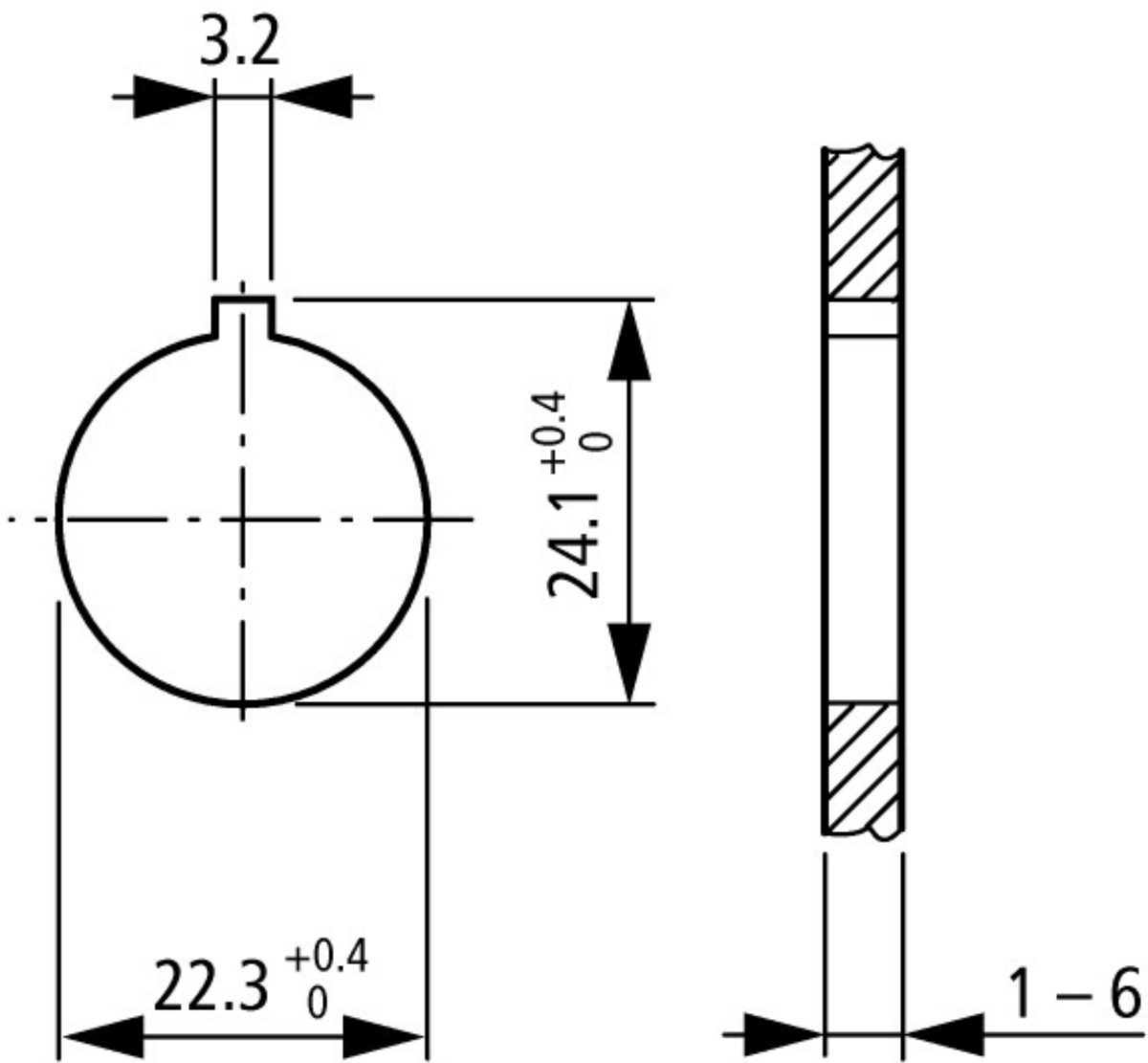
Technical data ETIM 5.0

Low-voltage industrial components (EG000017) / Text plate holder for control circuit devices (EC001032)
Electric engineering, automation, process control engineering / Low-voltage switch technology / Command and alarm device / Sign carrier for command devices
(ecl@ss8-27-37-12-29 [AKF047010])

Width mm 30
Height mm 50
Hole diameter mm 22
Width opening mm 22
Height meter opening mm 0
Colour Black
Shape Rectangular

Dimensions





Mounting hole with lug slot

Actuating and indicator elements

Additional product information (links)

IL04716002Z (AWA1160-1745) RMQ-Titan System

IL04716002Z (AWA1160-1745) RMQ-Titan System

ftp://ftp.moeller.net/DOCUMENTATION/AWA_INSTRUCTIONS/IL04716002Z2013_08.pdf

