



## Key-operated button, 2 positions

Part no. **M22-WS**

Article no. **216881**

Catalog No. **M22-WSQ**



Powering Business Worldwide™



### Delivery programme

Product range

Basic function  
Description

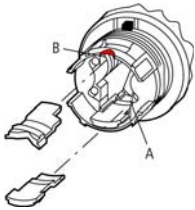
Front ring  
Function

Key withdrawable in position

Function

RMQ-Titan (drilling dimensions 22.5 mm)  
Key-operated buttons  
2 positions  
Individual lock mechanism MS1  
Not suitable for master key systems  
With 1 key  
Stay-put/spring-return function, can be changed with coding parts M22-XC-Y  
Key withdraw convertible with coding adapters M22-XC-...  
Front ring: titanium momentary  
▷  
right: 40°  
0  
momentary  
▷  
right: 40°

#### Notes For conversion between stay-put and spring-return functions and for changing the key withdrawability for selector switch actuators with 2 positions



	0	I
▷	✓	✓
↳ 60°	✓	✗
↳ 50°	✓	✗
▷ 40°	✓	✗

✓ = Key withdrawable

✗ = Key not withdrawable

Coding adapters



M22-XC-Y, →#216407



M22-XC-R, →#216406



### Approvals

Product Standards  
UL File No.  
UL Category Control No.  
CSA File No.  
CSA Class No.  
North America Certification  
Degree of Protection

IEC/EN 60947-5; UL 508; CSA-C22.2 No. 14-05; CSA-C22.2 No. 94-91; CE marking  
E29184  
NKCR  
012528  
3211-03  
UL listed, CSA certified  
UL/CSA Type 3R, 4X, 12, 13

### General

Standards

Lifespan, mechanical

Operating frequency

Operating torque

Protection type

Climatic proofing

Ambient temperature

Open

Mounting position

		IEC/EN 60947 VDE 0660
Operations	x 10 <sup>6</sup>	> 0.1
Operations/h		100
	Nm	0.5
		IP66
		Damp heat, constant, to IEC 60068-2-78 Damp heat, cyclic, to IEC 60068-2-30
	°C	
	°C	- 25 - + 70
		As required

**Technical data ETIM 5.0**

Low-voltage industrial components (EG000017) / Front element for selector switch (EC000222)

Electric engineering, automation, process control engineering / Low-voltage switch technology / Command and alarm device / Front element for selector switches (ecl@ss8-27-37-12-13 [AKF031010])

Number of switch positions

2

Type of control element

Key

Suitable for illumination

No

Colour control element

Black

Colour indicator light cap

Not applicable

Construction type lens

Round

Hole diameter

mm

22,5

Width opening

mm

0

Height meter opening

mm

0

Switching function latching

No

Spring-return

Yes

Degree of protection (IP), front side

IP66

With front ring

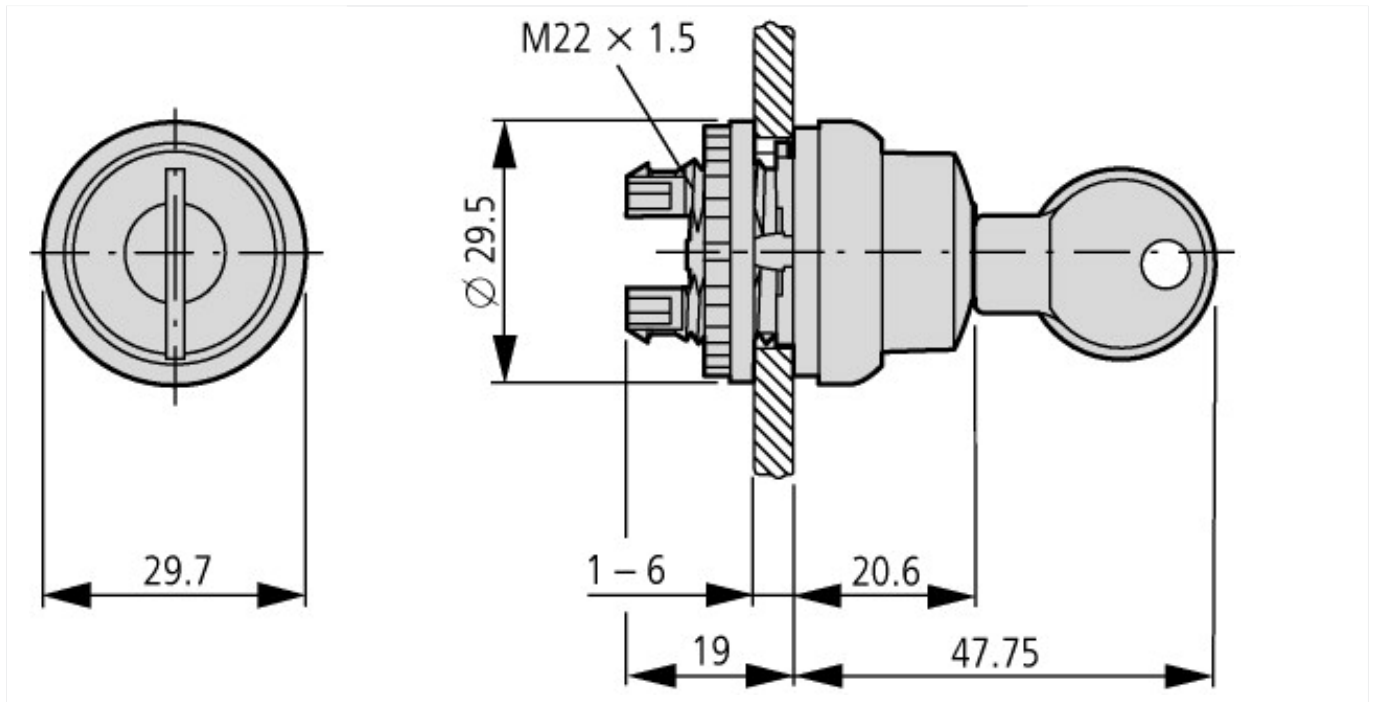
Yes

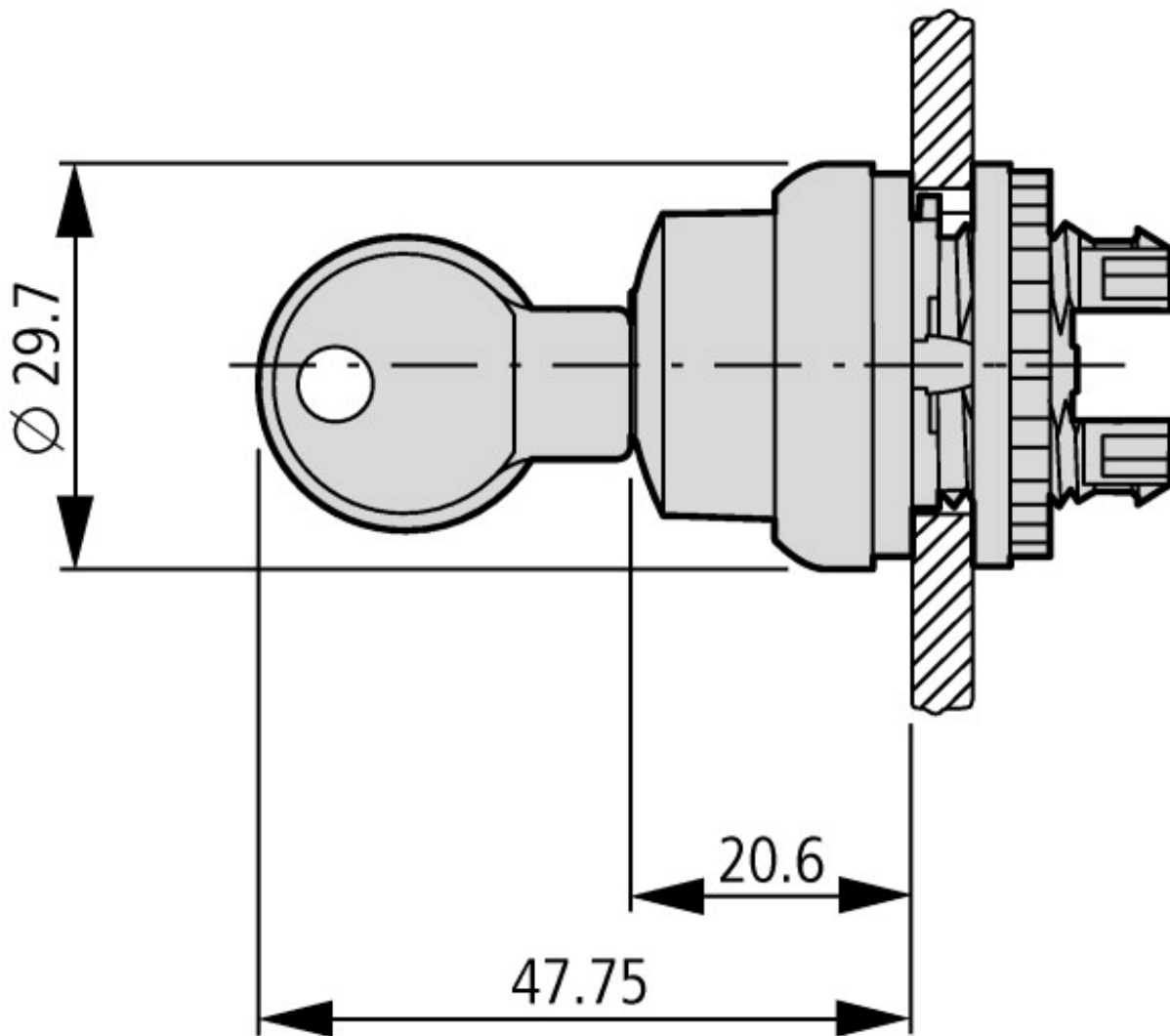
Material front ring

Plastic

Colour front ring

-

**Dimensions**



Individual lock mechanism

Individual lock mechanism

### Additional product information (links)

**IL04716002Z (AWA1160-1745) RMO-Titan System**

IL04716002Z (AWA1160-1745) RMO-Titan System

[ftp://ftp.moeller.net/DOCUMENTATION/AWA\\_INSTRUCTIONS/IL04716002Z2013\\_08.pdf](ftp://ftp.moeller.net/DOCUMENTATION/AWA_INSTRUCTIONS/IL04716002Z2013_08.pdf)

Labeleditor

<http://downloadcenter.moeller.net/de/software.f6023a63-5acb-42c7-a51c-ccf99091cace>

