



FAK complete unit

Part no.

FAK-S/KC11/I

Article no.

229749



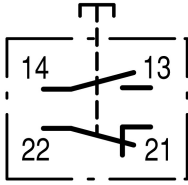


Enclosure base: black (RAL 9005)
 Enclosure top: light grey (RAL 7035)



totally insulated


Delivery programme

			Enclosure base: black (RAL 9005) Enclosure top: light grey (RAL 7035)
Auxiliary contacts:  = safety function, by positive opening to IEC/EN 60947-5-1			
N/O = Normally open			1 N/O
N/C = Normally closed			1 N/C 
Contact sequence			
Colour of mushroom head, indicator light			Grey
Function			Spring-return
Protection type			IP67, IP69K



Approval 

General

Standards			IEC/EN 60947 VDE 0660
Lifespan, mechanical	Operations	$\times 10^6$	> 1
Operating frequency	Operations/h		 3600
Actuating force			20 – 40

Degree of protection, IEC/EN 60529			IP67, IP69K
Climatic proofing			Damp heat, constant, to IEC 60068-2-78 Damp heat, cyclic, to IEC 60068-2-30
Ambient temperature		°C	
Open		°C	– 25 ... 40
Mounting position			As required
Mechanical shock resistance to IEC 60068-2-27 Shock duration 11 ms, half-sinusoidal		g	> 15

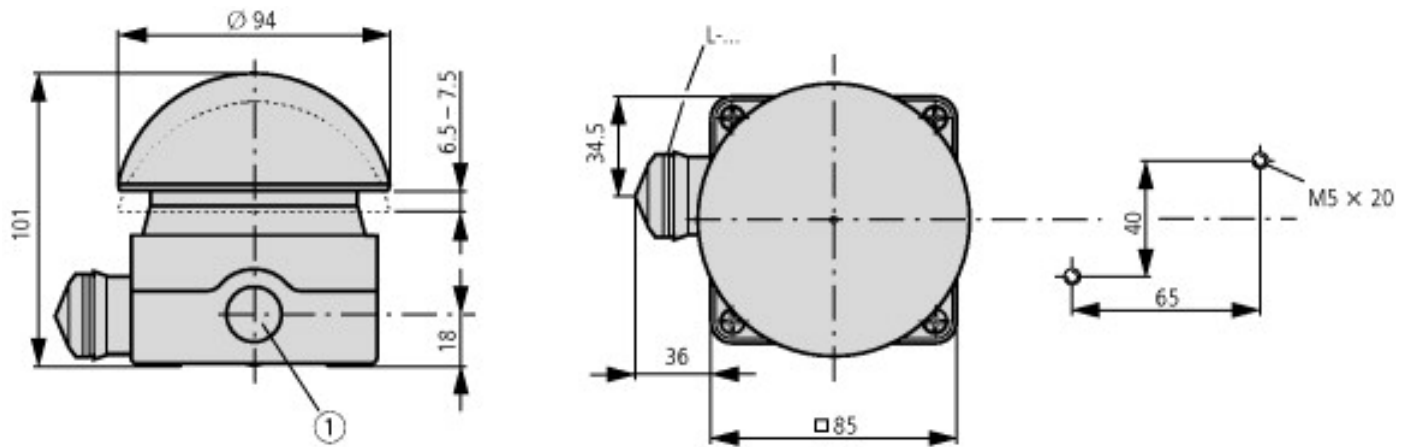
Contacts

Rated impulse withstand voltage	U_{imp}	V AC	6000
Rated insulation voltage	U_i	V	500

Switching capacity

Rated operational current	I_e	A	
AC-15			
230 V	I_e	A	6
DC-13			
24 V	I_e	A	3

Dimensions



3 x M20 (PG 13.5) lateral mounting
1 x M16 in base

① 3 x M20 lateral
1 x M1 in the base