



I(G)/SVB main switch

Part no.

T5B-4-15682/I4/SVB-SW

Article no.

207247



IP 65

IP 65

Delivery programme

			Without Emergency-Stop function
			With auxiliary contacts
Contact sequence			
Main conducting paths			
No. of poles		M	6
Auxiliary contacts			
		N/O	1
		B	1
Max. motor rating			
AC-23A			
400/415 V 50-60 Hz 	<i>P</i>	kW	22
Rated uninterrupted current	<i>I_u</i>	A	63
Design			Surface mounting
Protection type			-
Note for table header With black rotary handle and locking collar, lockable in the 0 position			

General

Standards			IEC/EN 60947, VDE 0660, IEC/EN 60204, CSA, UL Switch-disconnectors to IEC/EN 60947-3 Load-break switches to IEC/EN 60947-3
Lifespan, mechanical	Operations	$\times 10^6$	0.5
Maximum operating frequency	Operations/h		3000
Climatic proofing			Damp heat, constant, to IEC 60068-2-78; Damp heat, cyclical, to IEC 60068-2-30
Ambient temperature		°C	
Open		°C	– 25 ... 50
Enclosed		°C	- 25 ... 40
Mounting position			As required
Mechanical shock resistance to IEC 60068-2-27	Half-sinusoidal shock 20 ms	g	> 15

Contacts

Rated operational voltage	<i>U_e</i>	V AC	690
Rated impulse withstand voltage	<i>U_{imp}</i>	V AC	6000
Overvoltage category/pollution degree			III/3
Rated uninterrupted current	<i>I_u</i>	A	
open	<i>I_u</i>	A	63
Enclosed	<i>I_u</i>	A	63
Load rating with intermittent operation, class 12			
AB 25 % DF		$\times I_e$	2
AB 40 % DF		$\times I_e$	1.6
AB 60 % DF		$\times I_e$	1.3
Short-circuit rating			
Fuse		A gG/gL	80

Rated short-time withstand current (1 s current)	I_{cw}	A_{rms}	1300
Safe isolation to VDE 0106 Part 101 and Part 101/A1 between the contacts		V AC	440
Switching angles		°	90 60 45 30
Contact units			10
Double-break contacts			max. 20
Current heat loss per contact at I_e		W	4.5

Terminal capacities

Solid or stranded		mm ²	1 × (2.5 – 35) 2 × (2.5 – 16)
Flexible with ferrule to DIN 46228		mm ²	1 × (1.5 – 25) 2 × (1.5 – 10)
Terminal screw			M6
Tightening torque		Nm	4

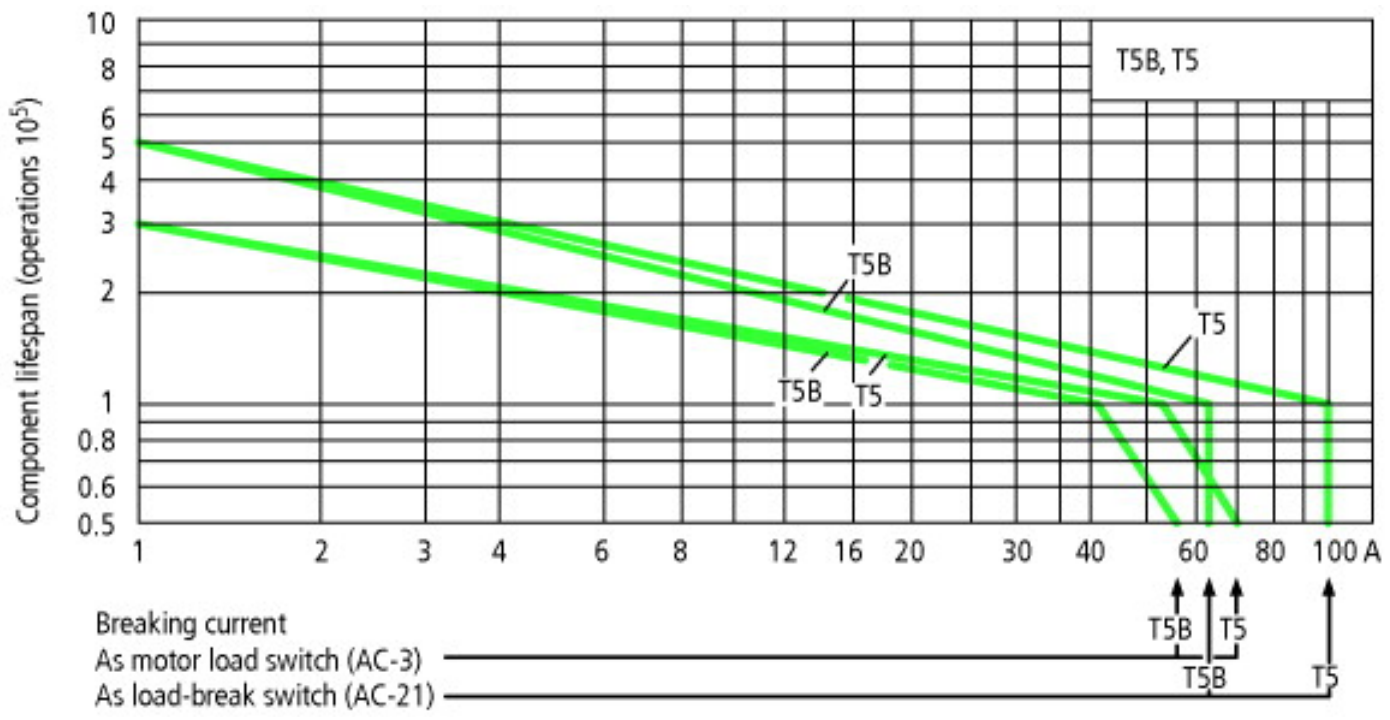
Switching capacity

AC		× U_s	
Rated making capacity cos # = 0.35		A	800
Rated breaking capacity, motor load switch cos # = 0.35		A	
230 V		A	520
400 V		A	600
500 V		A	480
690 V		A	340
Rated operational current 440 V load-break switch AC-21A	I_e	A	63
AC-23A Motor load switches (main switches maintenance switches)	P	kW	
230 V	P	kW	15
400 V	P	kW	22
500 V	P	kW	22
690 V	P	kW	22
Rated operational current control switch AC-15			
230 V	I_e	A	16
400 V	I_e	A	6
500 V	I_e	A	4
DC		× U_s	
DC-1, Load-break switches L/R = 1 ms			
Rated operational current	I_e	A	63
Voltage per contact pair in series		V	60
DC-23A, motor load switch L/R = 15 ms			
24 V			
Rated operational current	I_e	A	50
Contacts		Quantity	1
48 V			
Rated operational current	I_e	A	50
Contacts		Quantity	2
60 V			
Rated operational current	I_e	A	50
Contacts		Quantity	3
120 V			
Rated operational current	I_e	A	25
Contacts		Quantity	3
240 V			
Rated operational current	I_e	A	20
Contacts		Quantity	6
DC-13, Control switches L/R = 50 ms			

Rated operational current	I_e	A	25
Voltage per contact pair in series		V	24
Control circuit reliability at 24 V DC, 10 mA	Fault probability	H_F	10^{-5}, 1 fault in 100000 operations

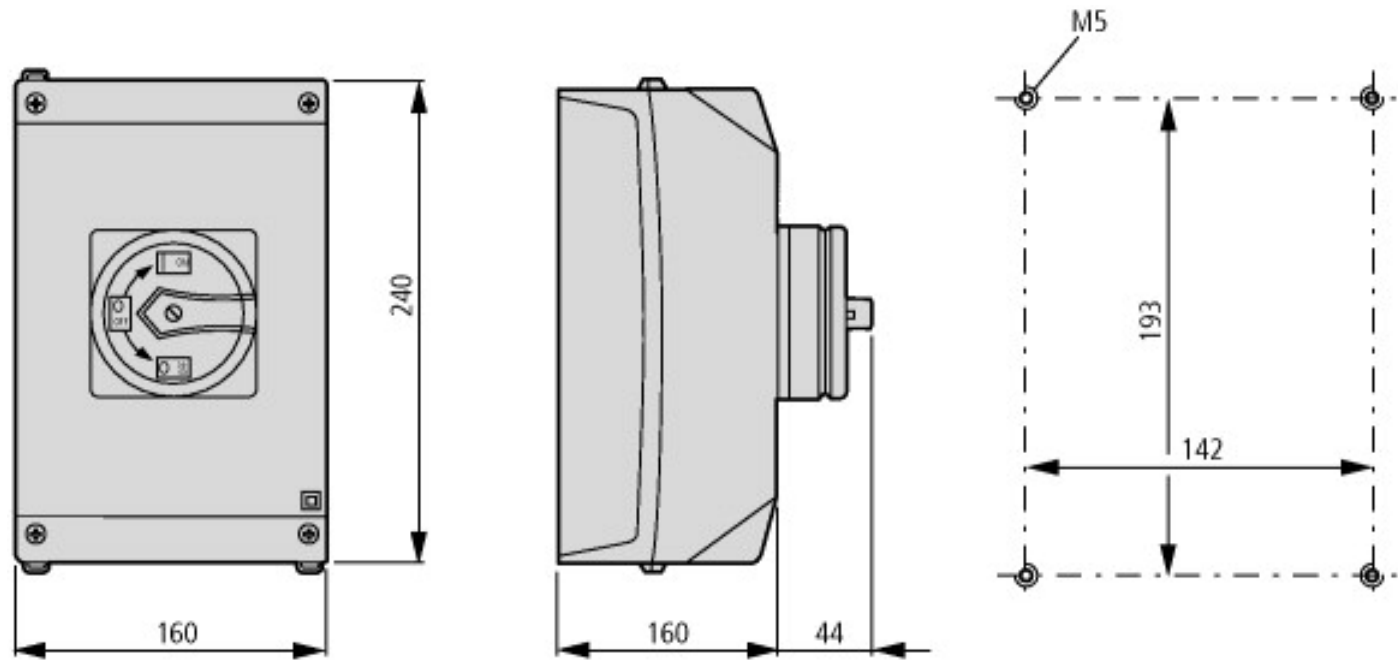
Notes

Notes For mechanical shock resistance: T3.../I... >12g
 Applies to T0(3).../SVB: isolating characteristics to IEC/EN 60947 U for rated operational voltage up to 500 V AC
 Applies to rated uninterrupted current I_u of the contact: with T5#4#8344/I5 max. 95 A
 For terminal capacity solid, stranded and flexible:
 T0(3), (6), (8)...: Maximum of 2 cross-section sizes difference admissible between 2 conductors
 T5(B)-...: Maximum of 1 cross-section size difference admissible between 2 conductors
 For type T8#3#8342/... the following applies: switching angle = 90° and flat connection = 1 busbar 25 x 5 or 2 busbars 20 x 3

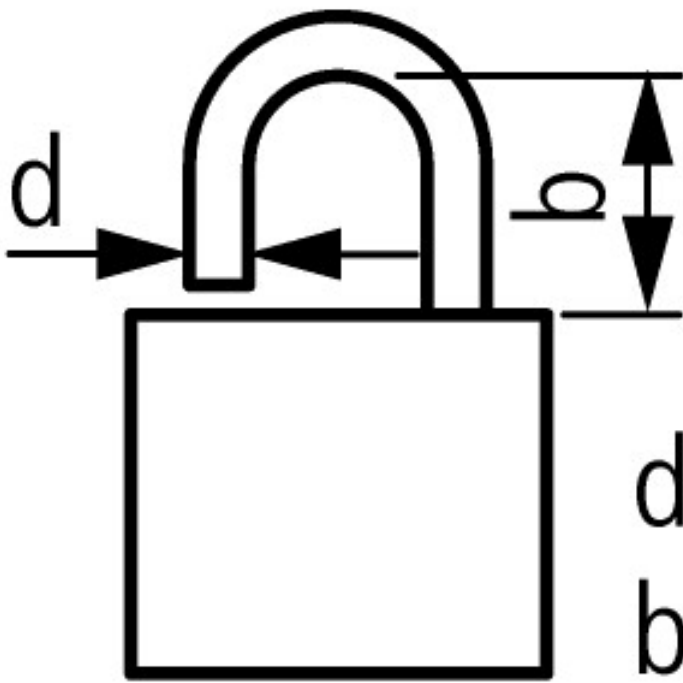


For utilisation category AC-4 (extreme load: 100 % inching, reversing or plugging)
 The blocked rotor current of the motor should not exceed the rated current of the switch for AC-21A to ensure a reasonable device lifespan.

Dimensions



Depth of one contact unit: 16.5 mm
 The rotary switches T5B and T5 are of identical design but differ in their contacts.



$$d = 4 - 8 \text{ mm}$$

$$b + d \leq 47 \text{ mm}$$