



Accessories CI-K2-PKZ0

Part no. CI-K2-PKZ0-G

Article no. 219654



Powering Business Worldwide™

For PKZM0 motor-protective circuit-breakers

Delivery programme

			with black-grey rotary knob
Protection type			IP65
For use with			+NHI or AGM +U or A +NHI-E +L-PKZ0 (2 off)
Notes			
M25 metric cable entry knockout, top and bottom			
Push-through cable entry diaphragm top, bottom, in the back plate and for control cable entry.			
CI-K2 insulated enclosure includes N and PE terminal.			

Approvals

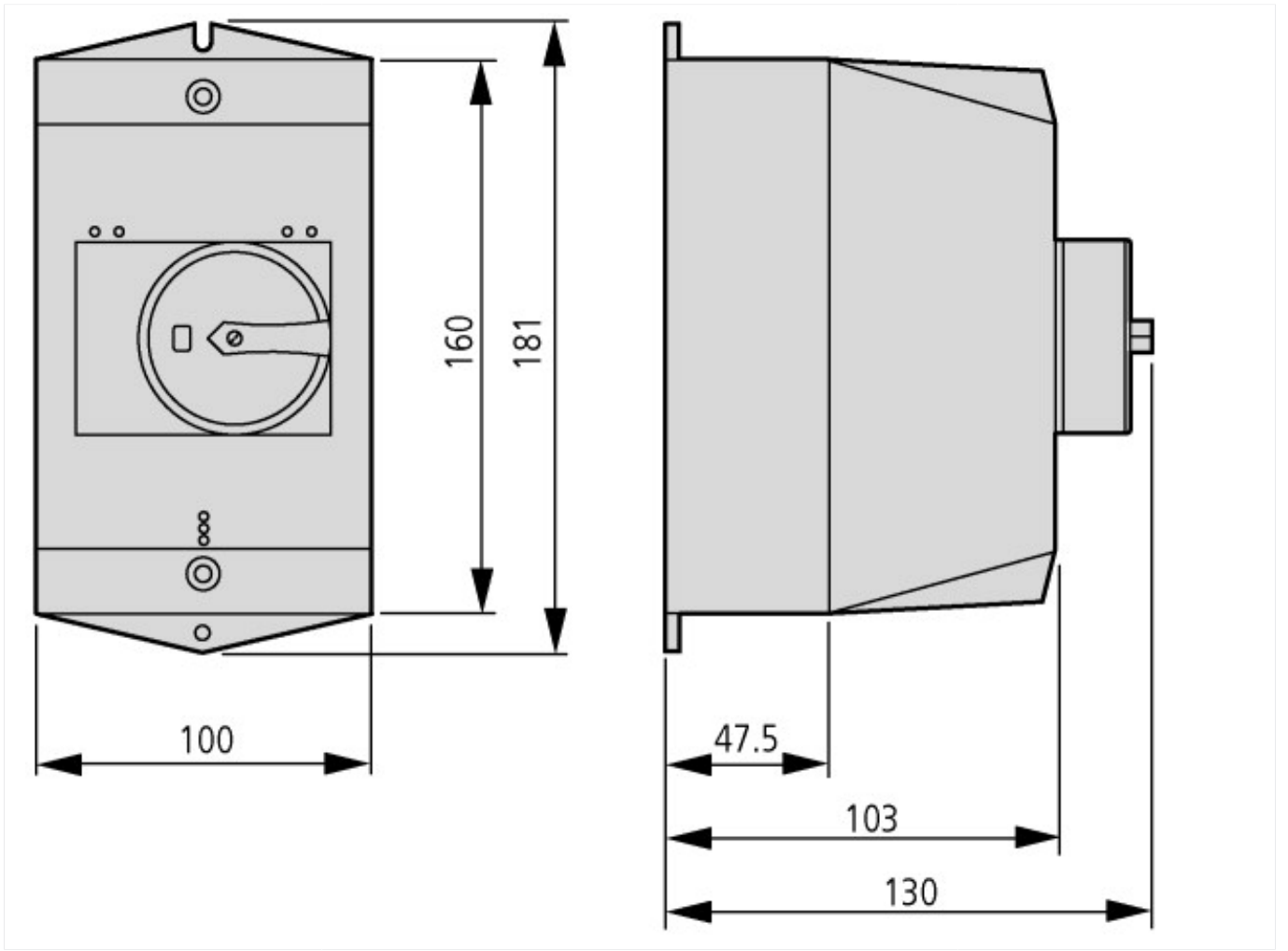
Specially designed for NA

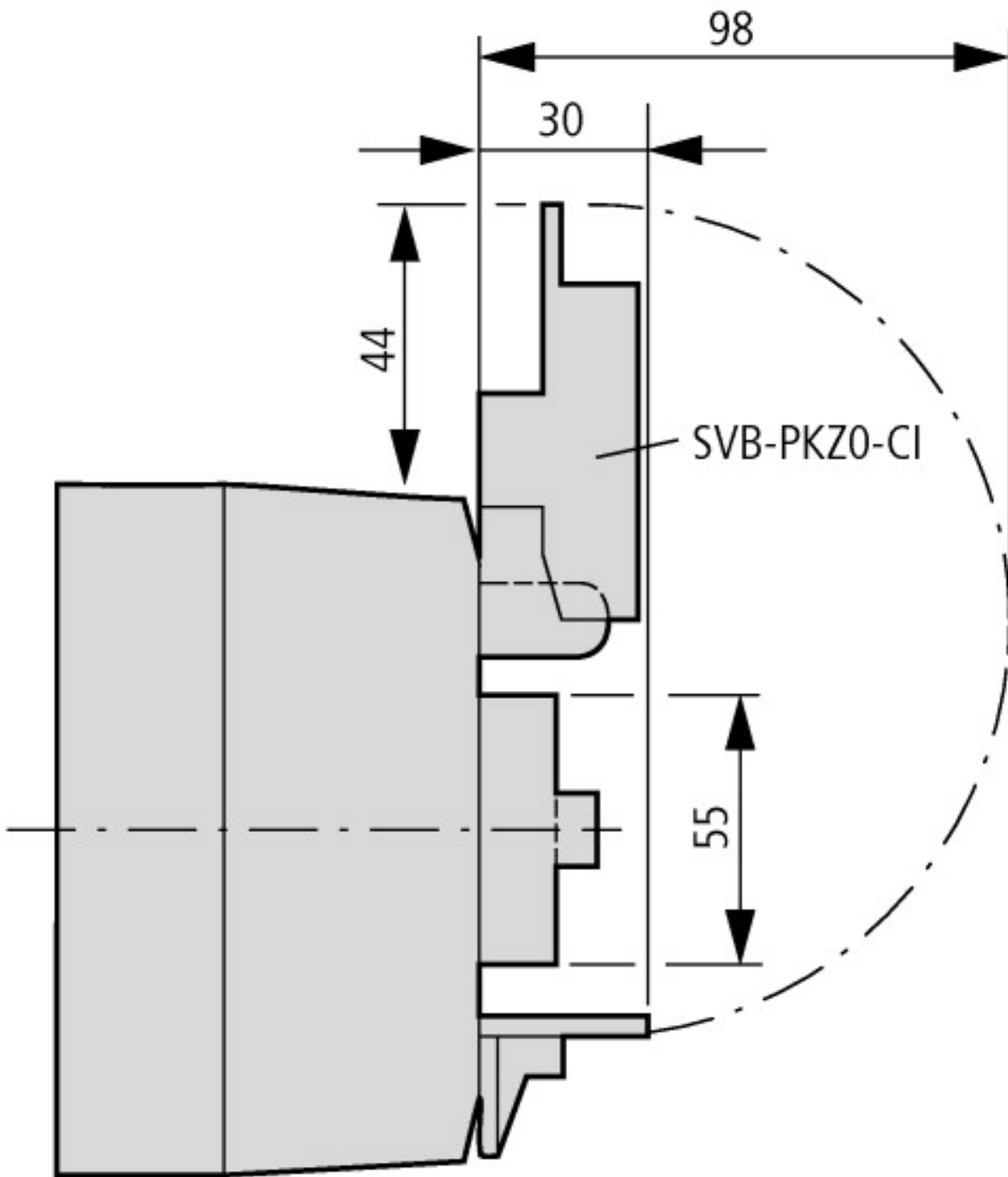
No

Technical data ETIM 4.0

Width		mm	80
Design			surface mounting
Height		mm	158
Depth		mm	124.4
With transparent cover			No
Suitable for emergency stop			No
Housing material			Insulated material
Degree of protection (IP)			IP65

Dimensions





CI-K2-PKZ0-G(R)(V) + SVB-PKZ0-CI

Additional product information (links)

IL03402002Z (AWA1210-1844) Motor-protective circuit -breaker with insulated enclosures

IL03402002Z (AWA1210-1844) Motor-protective circuit -breaker with insulated enclosures

ftp://ftp.moeller.net/DOCUMENTATION/AWA_INSTRUCTIONS/IL03402002Z2010_10.pdf

Motor starters and "Special Purpose Ratings" for the North American market

http://www.moeller.net/binary/ver_techpapers/ver953en.pdf

Busbar Component Adapters for modern Industrial control panels

http://www.moeller.net/binary/ver_techpapers/ver960en.pdf