

## IVS mounting rail adapter



Powering Business Worldwide™

**Part no.** M22-IVS

**Article no.** 216400

### Delivery programme

Product range			RMQ-Titan (drilling dimensions 22.5 mm)
Basic function			Accessories
Accessories			General accessories
Basic function accessories			IVS top-hat rail adapters
Single unit/Complete unit			Single unit
For use with			top-hat rail according to IEC/EN 60715 for front fixing
Connection to SmartWire-DT			no

### Approvals

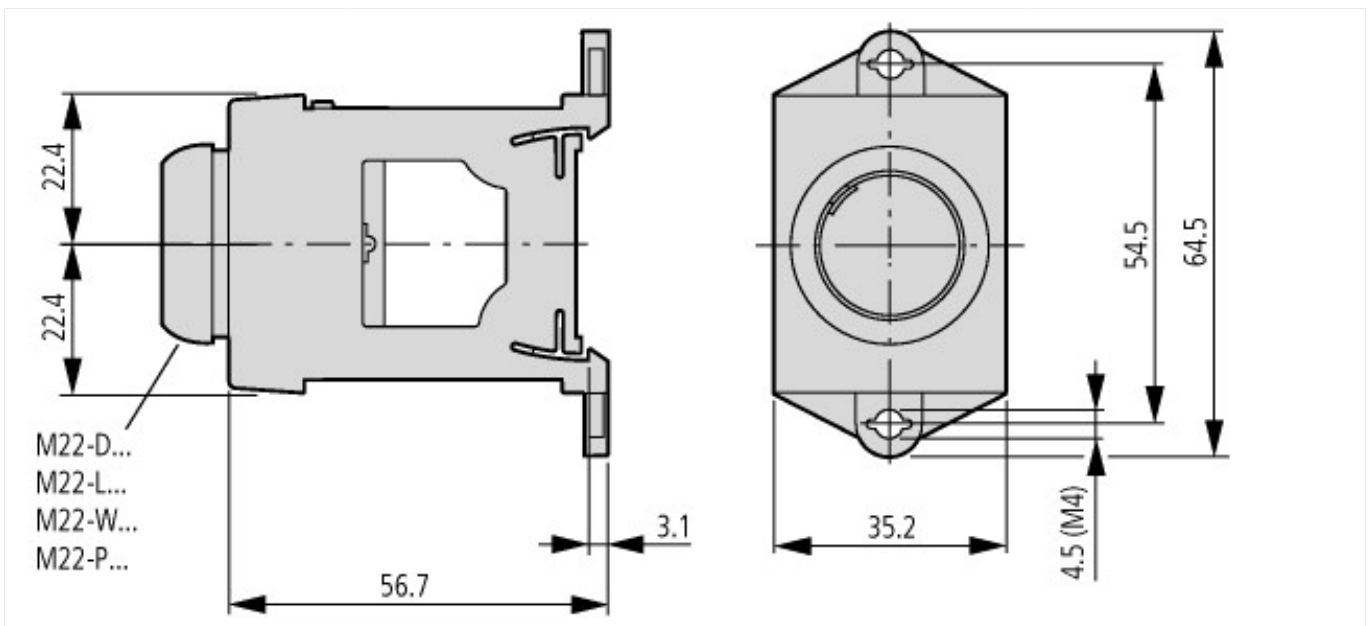
Product Standards  
UL File No.  
UL CCN  
CSA File No.  
CSA Class No.  
NA Certification

IEC/EN 60947-5; UL 508; CSA-C22.2 No. 14-05; CSA-C22.2 No. 94-91; CE marking  
E29184  
NKCR  
012528  
3211-03  
UL listed, CSA certified

### Technical data ETIM 4.0

Type of mechanical accessory			-
Type of electrical accessory			-

### Dimensions



### Additional product information (links)

IL04716002Z (AWA1160-1745) RMQ-Titan System

IL04716002Z (AWA1160-1745) RMQ-Titan System

[ftp://ftp.moeller.net/DOCUMENTATION/AWA\\_INSTRUCTIONS/IL04716002Z2011\\_03.pdf](ftp://ftp.moeller.net/DOCUMENTATION/AWA_INSTRUCTIONS/IL04716002Z2011_03.pdf)