



LED element,bottom,green



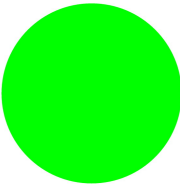
Powering Business Worldwide™

Part no.
Article no.

M22-LEDC-G
216562

→ Engineering

Program

| | | | |
|----------------------------|------------|----|---|
| Range | | | RMQ-Titan (drilling dimensions 22.5 mm) |
| Basic function | | | LED elements |
| Single unit/Complete unit | | | Single unit |
| Fixing | | | Base fixing |
| Connection technique | | | Screw terminals |
| Rated operational voltage | U_e | V | 12 - 30 V AC/DC |
| Rated operational current | I_e | mA | 8 - 15 |
| Power consumption | $P_{max.}$ | W | 0.26 |
| | | | at 24 V |
| Colour | | | |
| | | |  |
| | | | Green |
| Protection type | | | IP20 |
| Front ring | | | - N/A - |
| Connection to SmartWire-DT | | | no |

Notes

For pushbutton actuators, indicator lights, illuminated pushbutton actuators and illuminated selector switch actuators, the following applies:

M22...-R only in combination with M22-LED...-R

M22...-G only in combination with M22-LED...-G

M22...-W only in combination with M22-LED...-W

M22...-Y only in combination with M22-LED...-W


M22...-B in combination with M22-LED...-W or M22-LED...-B

Approbationen

Product Standards
UL File No.
UL CCN
CSA File No.
CSA Class No.
NA Certification
Degree of Protection

IEC/EN 60947-5; UL 508; CSA-C22.2 No. 14-05; CSA-C22.2 No. 94-91; CE marking
E29184
NKCR
012528
3211-03
UL listed, CSA certified
UL/CSA Type: -

General

| | | | |
|------------------------------------|--|----|---|
| Standards | | | IEC/EN 60947 VDE 0660 |
| Operating torque (screw terminals) | | Nm |  0.8 |
| Protection type | | | IP20 |
| Climatic proofing | | | Damp heat, constant to IEC 60068-2-78 Damp heat, cyclic to IEC 60068-2-30 |
| Ambient temperature | | °C | |

| | | | |
|-----------------------------|--|-----------------|---|
| Open | | °C | - 25 - + 70 |
| Storage | | °C | - 40 - + 80 |
| Mounting position | | | As required |
| Mechanical shock resistance | | g | 30 Shock duration 11 ms Sinusoidal according to IEC 60068-2-27 |
| Terminal capacities | | mm ² | |
| Solid | | mm ² | 0.75 - 2.5 |
| Stranded | | mm ² | 0.5 - 2.5 |

Contacts

| | | | |
|---------------------------------------|-----------|---------|-------|
| Rated impulse withstand voltage | U_{imp} | V AC | 6000 |
| Rated insulation voltage | U_i | V | 500 |
| Overvoltage category/pollution degree | | | III/3 |

Notes

Notes > 200 V AC/60 Hz: -25/+55 °C

Indoor and protected outdoor installation

Technical data according to ETIM 4.0

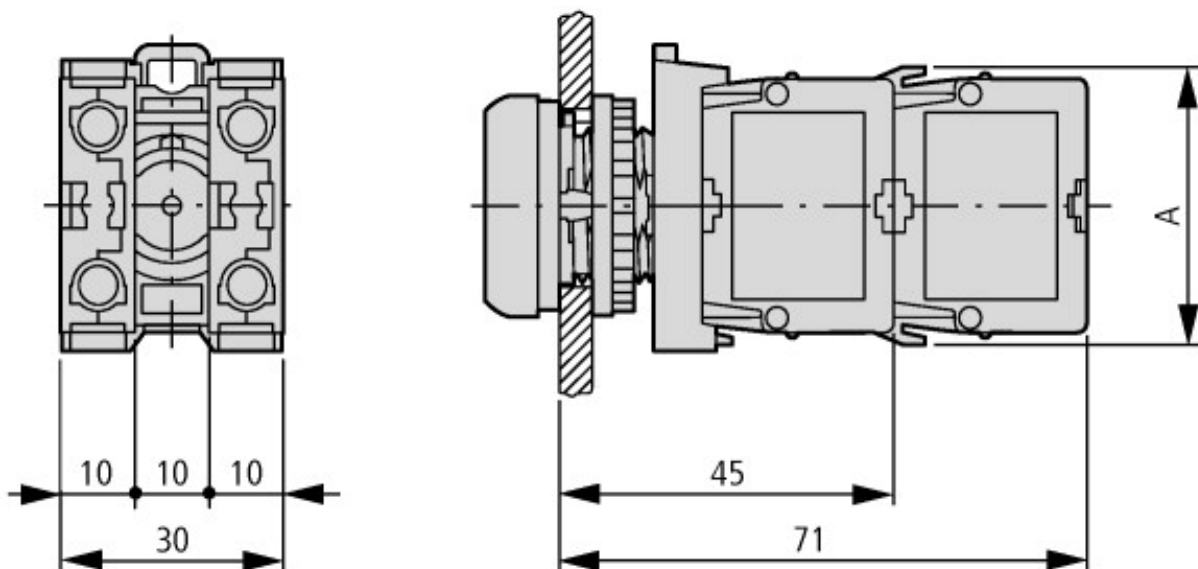
| | | | |
|---|--|---|------------------|
| With integrated series resistor | | | No |
| Type of light element | | | LED |
| Lamp holder | | | without |
| Mounting type | | | Base fixing |
| With integrated light element | | | YES |
| Voltage type for actuation | | | AC/DC |
| With integrated diode | | | YES |
| With integrated transformer | | | No |
| Rated operating voltage U_e at AC 60 Hz | | V | 0 |
| Light element | | | green |
| Rated operating voltage U_e at AC 50 Hz | | V | 0 |
| Rated operating voltage U_e at DC | | V | 30 |
| Connection type auxiliary circuit | | | Screw connection |

CAD-Data

Product standards CAD data:

<http://eaton-moeller.partcommunity.com>

Dimensions



Pushbutton with M22-(C)K...
Pushbutton with M22-(C) LED... + M22-XLED...

Additional product information (links)

| | |
|---|---|
| IL04716002Z (AWA1160-1745) RMQ-Titan System | ftp://ftp.moeller.net/DOCUMENTATION/AWA_INSTRUCTIONS/IL04716002Z2011_03.pdf |
| Installation Instructions | http://www.moeller.net/en/support/instructions_awa.jsp |
| Documentation | http://www.moeller.net/en/support/index.jsp |
| Engineering | |
| Engineering, circuit diagrams | ftp://ftp.moeller.net/DOCUMENTATION/PDF/GB/PRO_RMQ_Titan_Vorschaltelemente_de.pdf |