



## Emergency-stop pushbutton, D=38mm, key unlocking, MS1



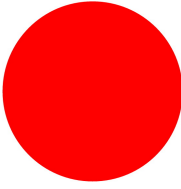


Powering Business Worldwide™





**Part no.** M22-PVS  
**Article no.** 216879  
**Catalog No.** M22-PVSQ

### Delivery programme

Approval				 
Product range				RMQ-Titan (drilling dimensions 22.5 mm)
Basic function				Emergency stop pushbutton/ emergency-stop button
Description				Individual lock mechanism MS1 Not suitable for master key systems
Construction type				Mushroom-shaped
Diameter	∅	mm	38	
<b>Colour</b>				
Mushroom head				Red
RAL Value				RAL 3000
				
Function				Key operated
Illumination				Without illumination
Front ring				without front ring
Connection to SmartWire-DT				yes
<b>Instructions</b>				Release by turning with key
Information about equipment supplied				With one key
<b>Notes</b>				
Release by turning with key				
Button diameter 38 mm				
With 1 key				

### Technical data

<b>General</b>				
Standards				IEC/EN 60947 VDE 0660
Lifespan, mechanical	Operations	x 10 <sup>6</sup>	> 0.1	
Operating frequency	Operations/h		 600	
Actuating force		n	 50	
Climatic proofing				Damp heat, constant, to IEC 60068-2-78 Damp heat, cyclic, to IEC 60068-2-30
Ambient temperature		°C		
Open		°C	-25 - +70	
Mounting position				As required
Mechanical shock resistance		g	50 Shock duration 11 ms Sinusoidal according to IEC 60068-2-27	

## Design verification as per IEC/EN 61439

Technical data for design verification				
Rated operational current for specified heat dissipation	$I_n$	A	0	
Heat dissipation per pole, current-dependent	$P_{vid}$	W	0	
Equipment heat dissipation, current-dependent	$P_{vid}$	W	0	
Static heat dissipation, non-current-dependent	$P_{vs}$	W	0	
Heat dissipation capacity	$P_{diss}$	W	0	
Operating ambient temperature min.		°C	-25	
Operating ambient temperature max.		°C	70	
IEC/EN 61439 design verification				
10.2 Strength of materials and parts				
10.2.2 Corrosion resistance				
			Meets the product standard's requirements.	
10.2.3.1 Verification of thermal stability of enclosures				
			Meets the product standard's requirements.	
10.2.3.2 Verification of resistance of insulating materials to normal heat				
			Meets the product standard's requirements.	
10.2.3.3 Verification of resistance of insulating materials to abnormal heat and fire due to internal electric effects				
			Meets the product standard's requirements.	
10.2.4 Resistance to ultra-violet (UV) radiation				
			Please enquire	
10.2.5 Lifting				
			Does not apply, since the entire switchgear needs to be evaluated.	
10.2.6 Mechanical impact				
			Does not apply, since the entire switchgear needs to be evaluated.	
10.2.7 Inscriptions				
			Meets the product standard's requirements.	
10.3 Degree of protection of ASSEMBLIES				
			Does not apply, since the entire switchgear needs to be evaluated.	
10.4 Clearances and creepage distances				
			Meets the product standard's requirements.	
10.5 Protection against electric shock				
			Does not apply, since the entire switchgear needs to be evaluated.	
10.6 Incorporation of switching devices and components				
			Does not apply, since the entire switchgear needs to be evaluated.	
10.7 Internal electrical circuits and connections				
			Is the panel builder's responsibility.	
10.8 Connections for external conductors				
			Is the panel builder's responsibility.	
10.9 Insulation properties				
10.9.2 Power-frequency electric strength				
			Is the panel builder's responsibility.	
10.9.3 Impulse withstand voltage				
			Is the panel builder's responsibility.	
10.9.4 Testing of enclosures made of insulating material				
			Is the panel builder's responsibility.	
10.10 Temperature rise				
			Not applicable.	
10.11 Short-circuit rating				
			Is the panel builder's responsibility. The specifications for the switchgear must be observed.	
10.12 Electromagnetic compatibility				
			Is the panel builder's responsibility. The specifications for the switchgear must be observed.	
10.13 Mechanical function				
			The device meets the requirements, provided the information in the instruction leaflet (IL) is observed.	

## Technical data ETIM 6.0

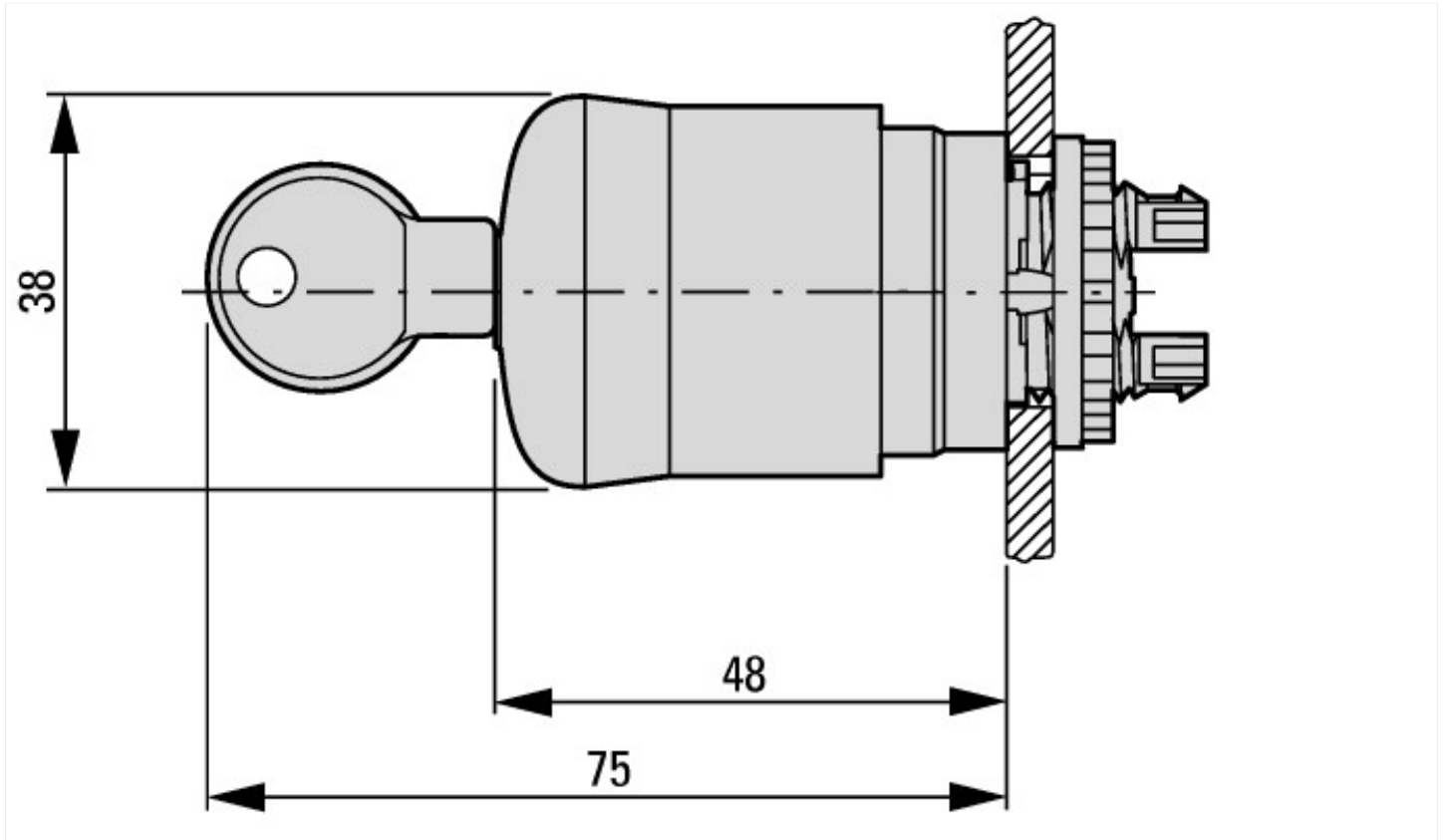
Low-voltage industrial components (EG000017) / Front element for mushroom push-button (EC001038)				
Electric engineering, automation, process control engineering / Low-voltage switch technology / Command and alarm device / Front element for mushroom push-button actuators (ecl@ss8.1-27-37-12-12 [AKF030011])				
Colour button				Red
Construction type lens				Round
Diameter cap		mm	38	
Hole diameter		mm	22	
Width opening		mm	22	
Height meter opening		mm	6	
Degree of protection (IP)				IP67
Type of button				Flat
Suitable for illumination				No
Switching function latching				Yes
Spring-return				No
With front ring				No
Material front ring				Plastic
Colour front ring				Chrome
Suitable for emergency stop				Yes

Unlocking method		Key-release
------------------	--	-------------

## Approvals

Product Standards		IEC/EN 60947-5; UL 508; CSA-C22.2 No. 14-05; CSA-C22.2 No. 94-91; CE marking
UL File No.		E29184
UL Category Control No.		NKCR
CSA File No.		012528
CSA Class No.		3211-03
North America Certification		UL listed, CSA certified
Degree of Protection		UL/CSA Type 3R, 4X, 12, 13

## Dimensions



## Additional product information (links)

<b>IL04716005Z RMQ-Titan: Emergency stop buttons, Emergency stop buttons</b>	
IL04716005Z RMQ-Titan: Emergency stop buttons, Emergency stop buttons	<a href="ftp://ftp.moeller.net/DOCUMENTATION/AWA_INSTRUCTIONS/IL04716005Z2015_02.pdf">ftp://ftp.moeller.net/DOCUMENTATION/AWA_INSTRUCTIONS/IL04716005Z2015_02.pdf</a>
<b>IL04716002Z RMQ-Titan System</b>	
IL04716002Z RMQ-Titan System	<a href="ftp://ftp.moeller.net/DOCUMENTATION/AWA_INSTRUCTIONS/IL04716002Z2015_02.pdf">ftp://ftp.moeller.net/DOCUMENTATION/AWA_INSTRUCTIONS/IL04716002Z2015_02.pdf</a>