

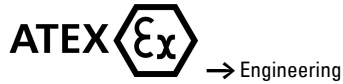
Protective collar, grey



Powering Business Worldwide™

Part no.
Article no.

M22G-XGPV
271610



Program

Range			RMQ-Titan (drilling dimensions 22.5 mm)
Basic function			Accessories
Accessories			Guard-ring
Single unit/Complete unit			Single unit
			Protection against accidental actuation
Connection to SmartWire-DT			no

Approbationen

Degree of Protection

UL/CSA Type 3R, 4X, 12, 13

Technical data according to ETIM 4.0

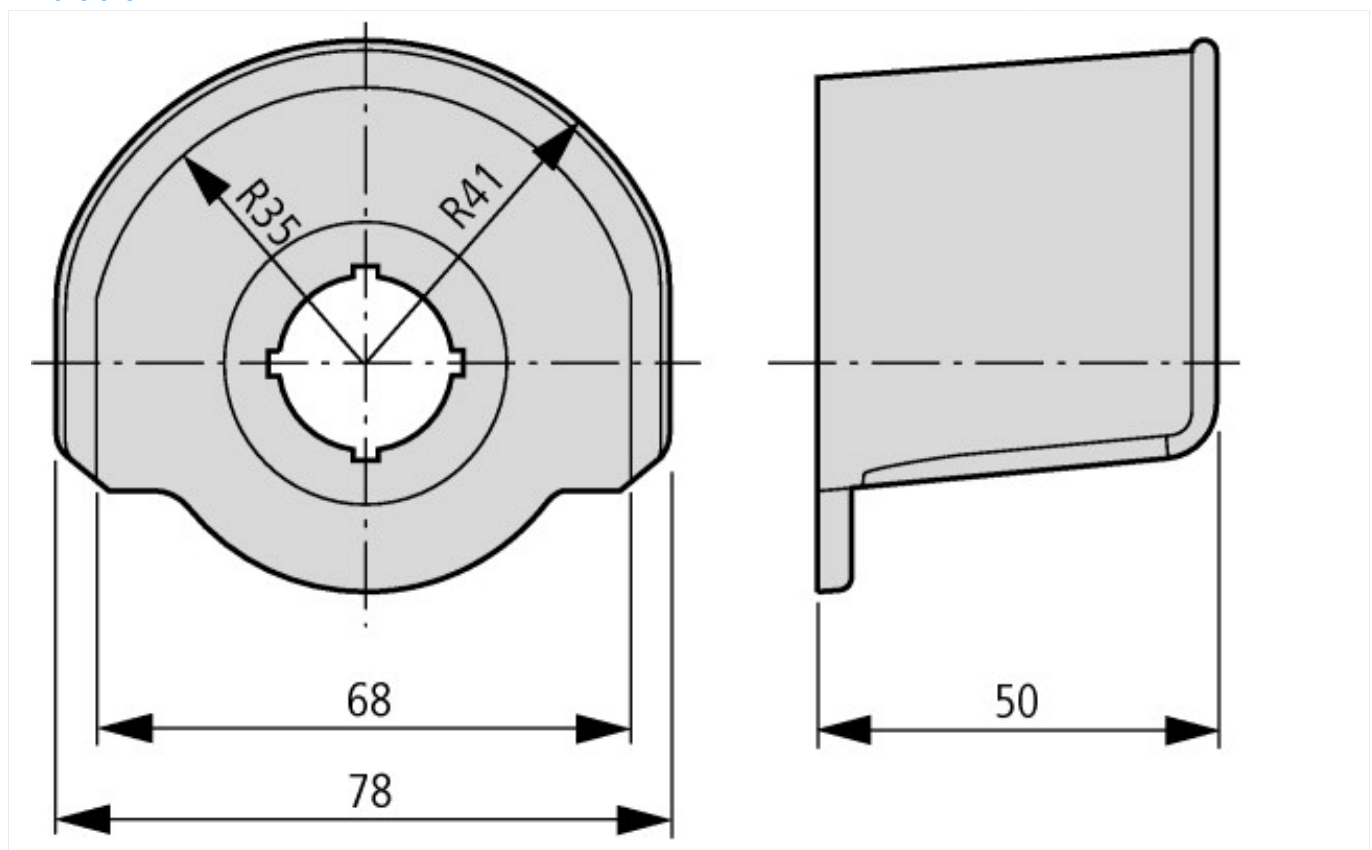
Type of mechanical accessory			Guard-ring
Type of electrical accessory			-

CAD-Data

Product standards CAD data:

<http://eaton-moeller.partcommunity.com/PARTcommunity/Portal/eaton-moeller>

Dimensions



Additional product information (links)

IL04716002Z (AWA1160-1745) RMQ-Titan System	ftp://ftp.moeller.net/DOCUMENTATION/AWA_INSTRUCTIONS/IL04716002Z2011_03.pdf
Installation Instructions	http://www.moeller.net/en/support/instructions_awa.jsp
Documentation	http://www.moeller.net/en/support/index.jsp
Engineering	
Key to part numbers	ftp://ftp.moeller.net/DOCUMENTATION/PDF/GB/TYPENSCHLUESSEL_RMQ-TITAN_de.pdf
Engineering	ftp://ftp.moeller.net/DOCUMENTATION/PDF/GB/PRO_RMQTitan_D_de.pdf

Ordering example for custom complete units	ftp://ftp.moeller.net/DOCUMENTATION/PDF/GB/Bestellbeispiel_F0315_COMBINATION_de.pdf
Order form for custom complete units	ftp://ftp.moeller.net/DOCUMENTATION/PDF/GB/FORM_F0315_Combination_de.pdf