



Key-operated button, 2 positions

Part no. M22S-WRS-A1

Article no. 229093



Individual lock mechanisms, not suitable for master key systems, with one key

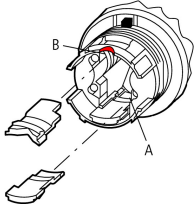
Stay-put/spring-return function and key withdrawability

can be changed using M22-XC-... coding adapters

Delivery programme

			Lock mechanism MS1
			2 positions
Front ring			Front ring: black
Function:	= spring-return	= stay-put	60°
Key withdrawable in position			0

Notes For conversion between stay-put and spring-return functions and for changing the key withdrawability for selector switch actuators with 2 positions

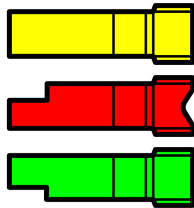


	O	I
	✓	✓
	✓	✗
	✓	✗

✓ = Key withdrawable

✗ = Key not withdrawable

Coding adapters



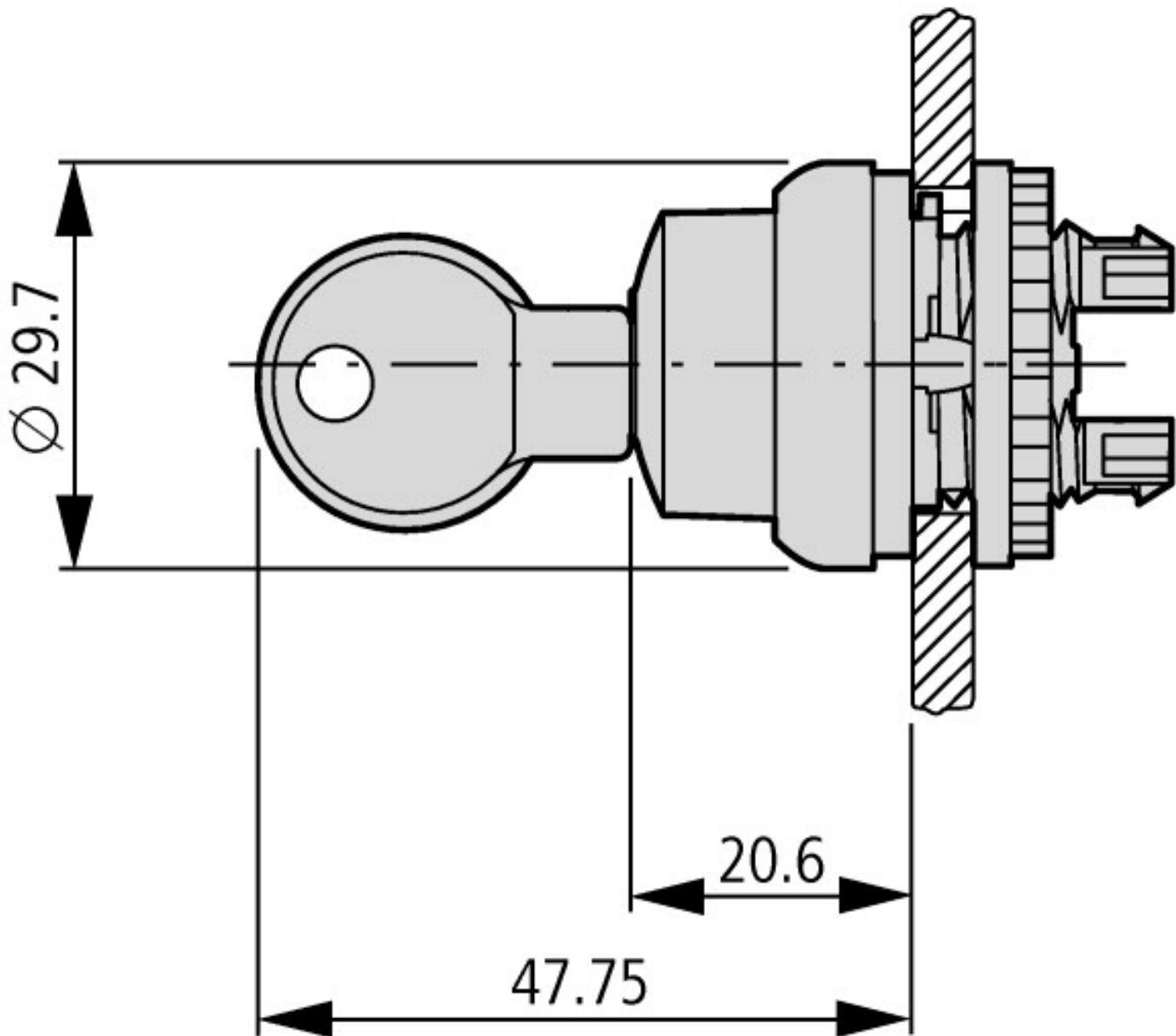
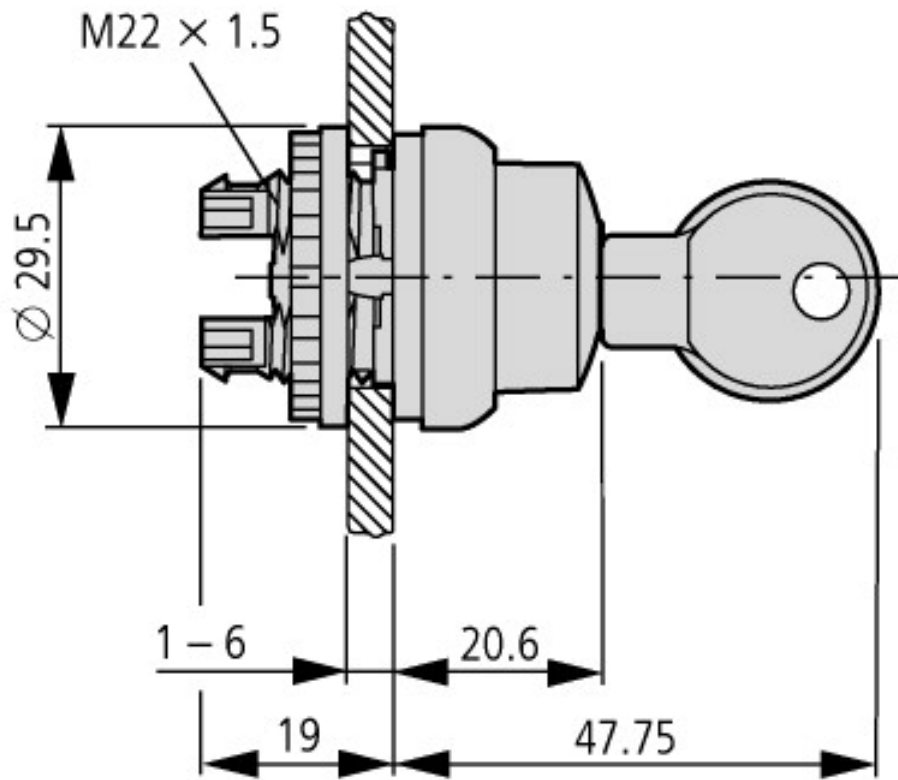
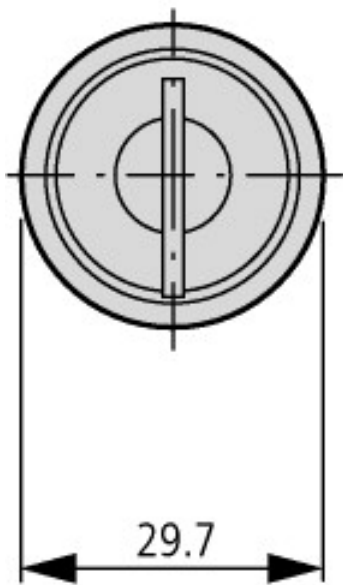
M22-XC-Y, → 216407

M22-XC-R, → 216406

General

Standards			IEC/EN 60947 VDE 0660
Lifespan, mechanical	Operations	$\times 10^6$	> 0.1
Operating frequency	Operations/h		\approx 100
Operating torque		Nm	0.5
Protection type (IEC/EN 60529, EN50178, VBG 4)			IP66
Climatic proofing			Damp heat, constant, to IEC 60068-2-78 Damp heat, cyclic, to IEC 60068-2-30
Ambient temperature		°C	
Open		°C	-25 ... 70
Mounting position			As required
Mechanical shock resistance to IEC 60068-2-27 (half-sinusoidal shock, duration 11 ms)		g	> 30

Dimensions



Individual lock mechanism

Individual lock mechanism

Additional product information (links)

Installation instructions

AWA1160-1745 The RMQ-Titan system

ftp://ftp.moeller.net/DOCUMENTATION/AWA_INSTRUCTIONS/17450407.pdf