

## Main switch assembly kit, on the left side, red, size 1

**Part no.** NZM1-XSRM-L  
**Article no.** 266671

Similar to illustration

### Delivery programme

Equipment supplied			Door coupling rotary handle Mounting brackets Special short extension shaft External warning plate/marketing plate in German/English Black and yellow lightning symbol
Function			Red-yellow for emergency switching off
Protection class			IP66 UL/CSA Type 4X, Type 12
Locking facility			lockable in 0 position on handle
Project planning information			External warning plate/designation label can be clipped on. For enhanced busbar tag shroud on the incomer side, please order IP2X protection against contact with a finger.
Actuation			Actuation on the left
For use with			NZM1(-4) PN1(-4), N(S)1(-4)

#### Notes

Additional terminal arrangement for flange operator with mounting bracket

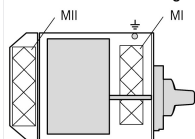
NZM1-XS(R)M-..., NZM2-XS(R)M-...

Additional terminals K25, K50, K95, K150 → 093827

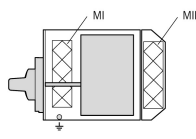
#### Actuation:

##### 3 pole

For actuation on the right

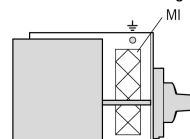


For actuation on the left

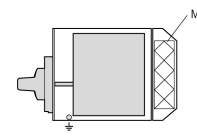


##### 4-Pole

For actuation on the right



For actuation on the left



Mounting areas		WE				MII	
Variation options		V1	V2	V3	V4	V1	V2
Maximum number of additional terminals	K25	2 x	-	-	-	-	-
	K50	-	2 x	-	-	-	-
	K95	-	-	1 x	-	1 x	-
	K150	-	-	1 x	1 x	-	1 x

Example: In mounting area MI, variation option 1 allows the K25 additional terminal to be mounted twice.

### Design verification as per IEC/EN 61439

IEC/EN 61439 design verification		
10.2 Strength of materials and parts		
10.2.2 Corrosion resistance		Meets the product standard's requirements.
10.2.3.1 Verification of thermal stability of enclosures		Meets the product standard's requirements.
10.2.3.2 Verification of resistance of insulating materials to normal heat		Meets the product standard's requirements.
10.2.3.3 Verification of resistance of insulating materials to abnormal heat and fire due to internal electric effects		Meets the product standard's requirements.
10.2.4 Resistance to ultra-violet (UV) radiation		Meets the product standard's requirements.
10.2.5 Lifting		Does not apply, since the entire switchgear needs to be evaluated.
10.2.6 Mechanical impact		Does not apply, since the entire switchgear needs to be evaluated.
10.2.7 Inscriptions		Meets the product standard's requirements.
10.3 Degree of protection of ASSEMBLIES		Does not apply, since the entire switchgear needs to be evaluated.
10.4 Clearances and creepage distances		Meets the product standard's requirements.
10.5 Protection against electric shock		Does not apply, since the entire switchgear needs to be evaluated.
10.6 Incorporation of switching devices and components		Does not apply, since the entire switchgear needs to be evaluated.
10.7 Internal electrical circuits and connections		Is the panel builder's responsibility.

10.8 Connections for external conductors		Is the panel builder's responsibility.
10.9 Insulation properties		
10.9.2 Power-frequency electric strength		Is the panel builder's responsibility.
10.9.3 Impulse withstand voltage		Is the panel builder's responsibility.
10.9.4 Testing of enclosures made of insulating material		Is the panel builder's responsibility.
10.10 Temperature rise		The panel builder is responsible for the temperature rise calculation. Eaton will provide heat dissipation data for the devices.
10.11 Short-circuit rating		Is the panel builder's responsibility. The specifications for the switchgear must be observed.
10.12 Electromagnetic compatibility		Is the panel builder's responsibility. The specifications for the switchgear must be observed.
10.13 Mechanical function		The device meets the requirements, provided the information in the instruction leaflet (IL) is observed.

## Technical data ETIM 5.0

Low-voltage industrial components (EG000017) / Handle for power circuit breaker (EC000229)

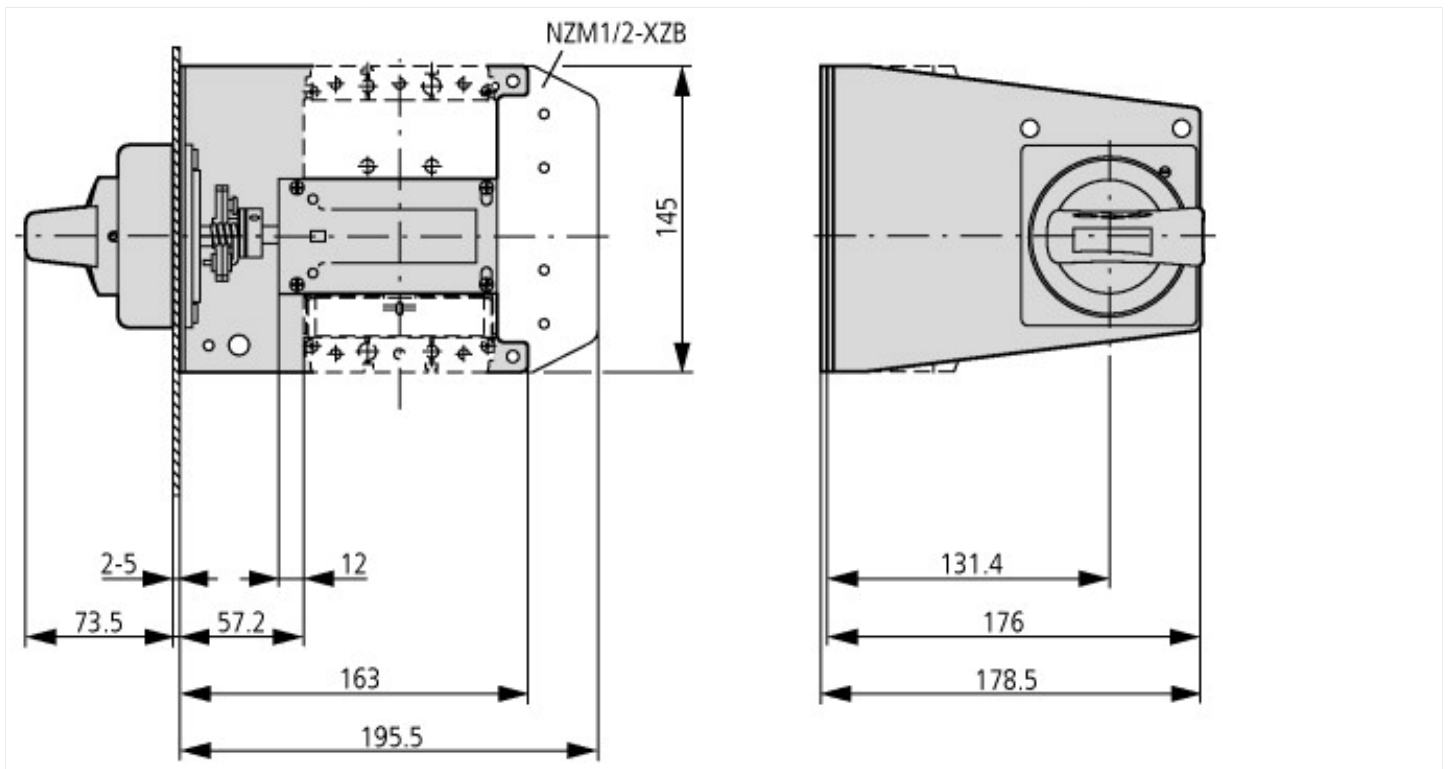
Electric engineering, automation, process control engineering / Low-voltage switch technology / Circuit breaker (LV < 1 kV) / Handle for switch devices (ecl@ss8-27-37-04-14 [AKF012010])

Lockable		Yes
Colour		Red
Suitable for emergency stop		Yes
With axe		Yes
Suitable for power circuit breaker		Yes
Suitable for switch disconnecter		Yes

## Approvals

Product Standards		UL489; CSA-C22.2 No. 5-09; IEC60947, CE marking
UL File No.		E140305
UL Category Control No.		DIHS
CSA File No.		022086
CSA Class No.		1437-01
North America Certification		UL listed, CSA certified
Degree of Protection		IEC: IP66, UL/CSA Type 4X, 12

## Dimensions



## Additional product information (links)

IL01203006Z (AWA1230-2041) Side wall actuator NZM1

