

Protection against contact with a finger, IP2X, 3p, size 3



Powering Business Worldwide™

Part no. **NZM3-XIPK**
 Article no. **266804**
 Catalog No.

Delivery programme

Number of conductors
 Accessories

3 pole
 IP2X protection against contact with finger
 NZM3(-4), PN3(-4), N3(-4)

For use with

Notes

Type contains parts for a terminal located at top or bottom for 3 or 4-pole circuit-breakers.

Enhancement of the protection against direct contact to IP2X.

Protection when reaching into the cable connection area with the connection of cables in the box terminal.

With 2 conductors maximum cross-section 70mm².

Cannot be combined with NZM-XSTK control circuit terminal.

Approvals

North America Certification

UL/CSA certification not required

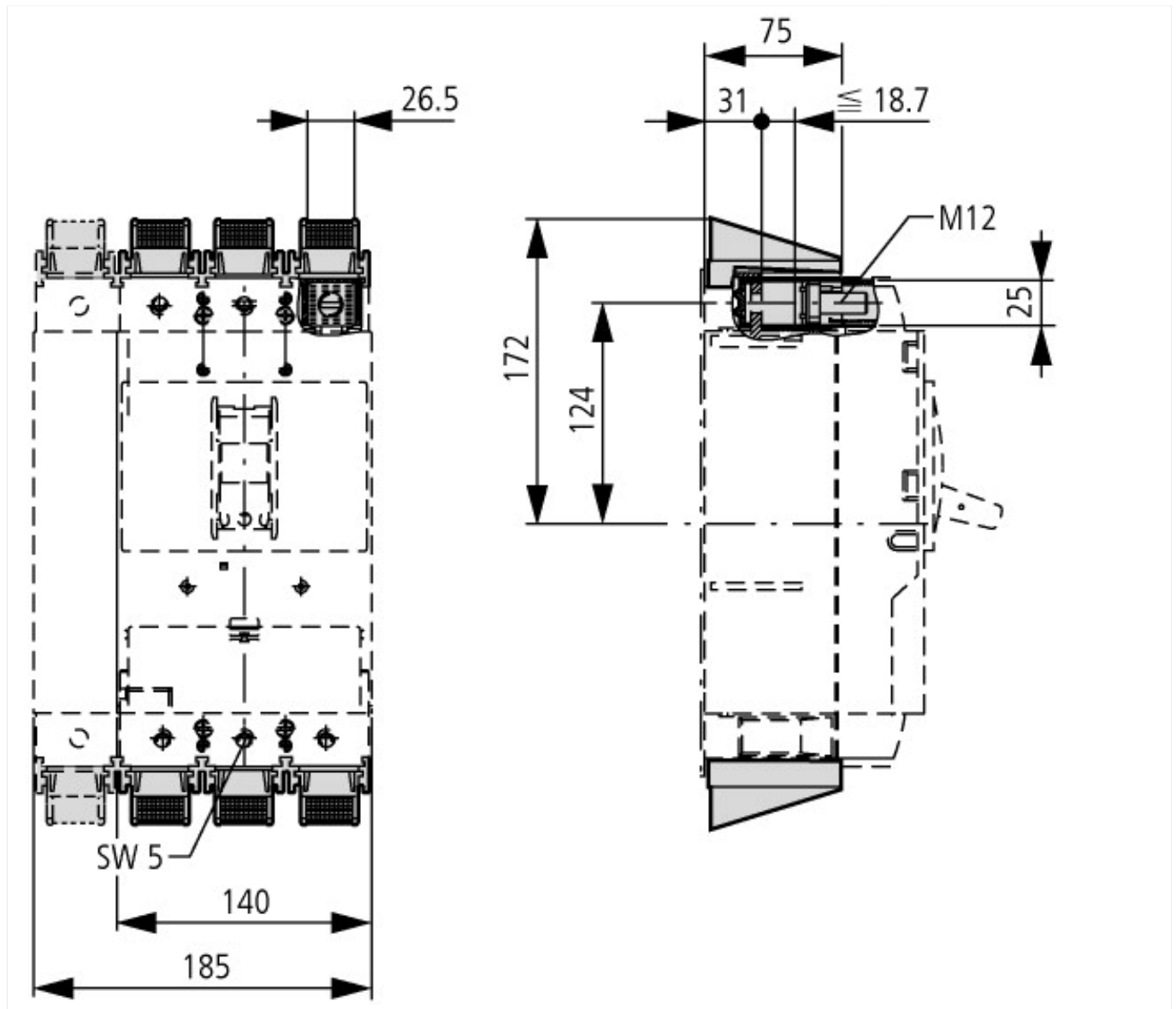
Technical data ETIM 5.0

Low-voltage industrial components (EG000017) / Phase separation plate for power circuit breaker (EC002035)

Electric engineering, automation, process control engineering / Low-voltage switch technology / Circuit breaker (LV < 1 kV) / Phase separation plate for circuit breaker (ecl@ss8-27-37-04-25 [ACN959007])

Model

Dimensions



Additional product information (links)

IL01219008Z (AWA1230-2057) IP2X fingerproof	
IL01219008Z (AWA1230-2057) IP2X fingerproof	ftp://ftp.moeller.net/DOCUMENTATION/AWA_INSTRUCTIONS/IL01219008Z2010_10.pdf