



**Main switch Surface mounting**

**Part no.**

**P3-63/14/SVB-SW/HI11**

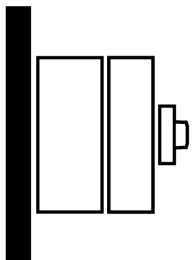
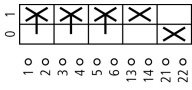
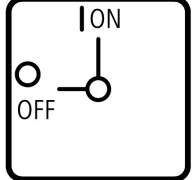
**Article no.**

**207345**



IP65

**Delivery programme**

Range			Load current switches
Basic function			Main switches Maintenance switches Manual override switches
Part group reference (e.g. DIL)			P3
Design			Surface mounting 
Protection type			IP65 <b>totally insulated</b>
Emergency stop			without emergency switching off/emergency stop function With black rotary handle and locking ring
Locking facility			Lockable in the 0 (Off) position With auxiliary contacts
Contacts			Auxiliary current contact
Contact sequence			
Front plate no.			 <b>FS 908</b>
Main conducting paths			
No. of poles		M	3
Auxiliary contacts		N/O	1
		B	1
Max. motor rating			
AC-23A			
400/415 V 50-60 Hz	P	kW	30
Rated uninterrupted current	I <sub>u</sub>	A	63

**Approbationen**

Product Standards  
UL File No.  
UL CCN

UL 508; CSA-C22.2 No. 14-05; IEC/EN 60947-3; CE marking  
E36332  
NLRV

CSA File No.  
 CSA Class No.  
 NA Certification  
 Specially designed for NA  
 Suitable for  
 Degree of Protection

12528  
 3211-05  
 UL Listed, CSA certified  
 Yes, in combination with "+NA-14" (105868)  
 Branch circuits, suitable as motor disconnect  
 IEC: IP65; UL/CSA Type 3R, 12

## General

Standards			IEC/EN 60947, VDE 0660, IEC/EN 60204, CSA, UL switch disconnecter according to IEC/EN 60947-3
Lifespan, mechanical	Operations	$\times 10^6$	0.1
Maximum operating frequency	Operations/h		50
Climatic proofing			Damp heat, constant, to IEC 60068-2-78; Damp heat, cyclical, to IEC 60068-2-30
Ambient temperature		°C	
Open		°C	- 25 - 50
Enclosed		°C	- 25 - 40
Mounting position			As required
Mechanical shock resistance to IEC 60068-2-27	Half-sinusoidal shock 20 ms	g	> 15

## Contacts

Rated operational voltage	$U_e$	V AC	690
Rated impulse withstand voltage	$U_{imp}$	V AC	6000
Overvoltage category/pollution degree			III/3
Rated uninterrupted current	$I_u$	A	
open	$I_u$	A	63
Enclosed	$I_u$	A	63
Load rating with intermittent operation, class 12			
AB 25 % DF		$\times I_e$	2
AB 40 % DF		$\times I_e$	1.6
AB 60 % DF		$\times I_e$	1.3
Short-circuit rating			
Fuse		A gG/gL	80
Rated short-time withstand current (1 s current)	$I_{cw}$	$A_{rms}$	1260
Switching angles		°	90
Current heat loss per contact at $I_e$		W	4.5

## Terminal capacities

Solid or stranded		mm <sup>2</sup>	1 x (2.5 - 35) 2 x (2.5 - 10)
Flexible with ferrule to DIN 46228		mm <sup>2</sup>	1 x (1.5 - 25) 2 x (1.5 - 6)
Terminal screw			M5
Tightening torque		Nm	3

## Switching capacity

AC		$\times U_s$	
Rated making capacity $\cos \varphi = 0.35$		A	800
Rated breaking capacity, motor load switch $\cos \varphi = 0.35$		A	
230 V		A	640
400 V		A	600
500 V		A	590
690 V		A	340
Rated operational current 440 V load-break switch AC-21A	$I_e$	A	63
Rating, AC-3 motor load switch	P	kW	
220/230 V	P	kW	15
400 V	P	kW	30
500 V	P	kW	30
690 V	P	kW	20
AC-23A Motor load switches (main switches maintenance switches)	P	kW	
230 V	P	kW	18.5

400 V	P	kW	30
500 V	P	kW	37
690 V	P	kW	50
DC		x U <sub>s</sub>	
DC-1, Load-break switches L/R = 1 ms			
Rated operational current	I <sub>e</sub>	A	63
Voltage per contact pair in series		V	60
DC-23A, motor load switch L/R = 15 ms			
24 V			
Rated operational current	I <sub>e</sub>	A	50
Contacts		Quantity	1
48 V			
Rated operational current	I <sub>e</sub>	A	50
Contacts		Quantity	2
60 V			
Rated operational current	I <sub>e</sub>	A	50
Contacts		Quantity	3
120 V			
Rated operational current	I <sub>e</sub>	A	25
Contacts		Quantity	3

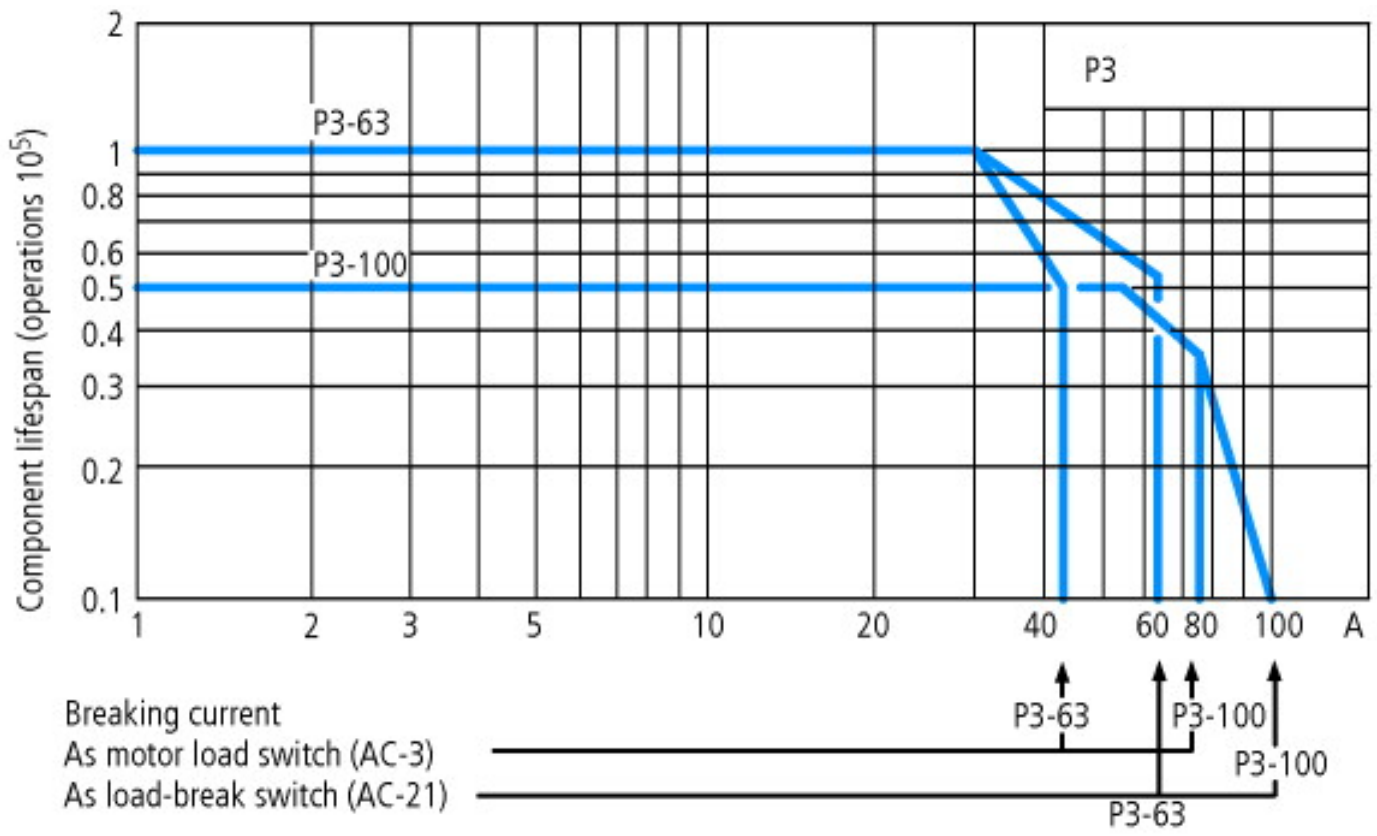
## Notes

**Notes** Main switch characteristics to IEC/EN 60204; positive opening of contacts, operator element positively located on shaft  
The rated uninterrupted current I<sub>u</sub> is stated at max. connected cross-section.  
For terminal capacity solid, stranded and flexible:  
Max. 2 cross-section sizes difference admissible when using 2 conductors.

## Technische Daten nach ETIM 4.0

Number of auxiliary contacts as normally open contact			1
Number of auxiliary contacts as normally closed contact			1
Rated permanent current I <sub>u</sub>		A	63
Number of poles			3
Conditioned rated short-circuit current I <sub>q</sub>		kA	0
Degree of protection (IP), front side			IP65
Number of auxiliary contacts as change-over contact			0
Interlockable			YES
Motor drive integrated			No
Connection type main current circuit			Screw connection
Version as emergency stop installation			No
Type of control element			-
Version as main switch			YES
Version as switch disconnecter compact			YES
Version as safety switch			No
Version as maintenance-/service switch			YES
Rated operation power at AC-23, 400V		kWh	37
Rated operation power AC-3, 400 V		kWh	30
Suitable for ground mounting			YES
Suitable for front mounting			No
Suitable for front mounting center			No
Suitable for distribution board installation			No
Suitable for intermediate mounting			No
Max. rated operation voltage U <sub>e</sub> AC		V	690
Motor drive optional			No
Voltage release optional			No
Device construction			Complete device in housing

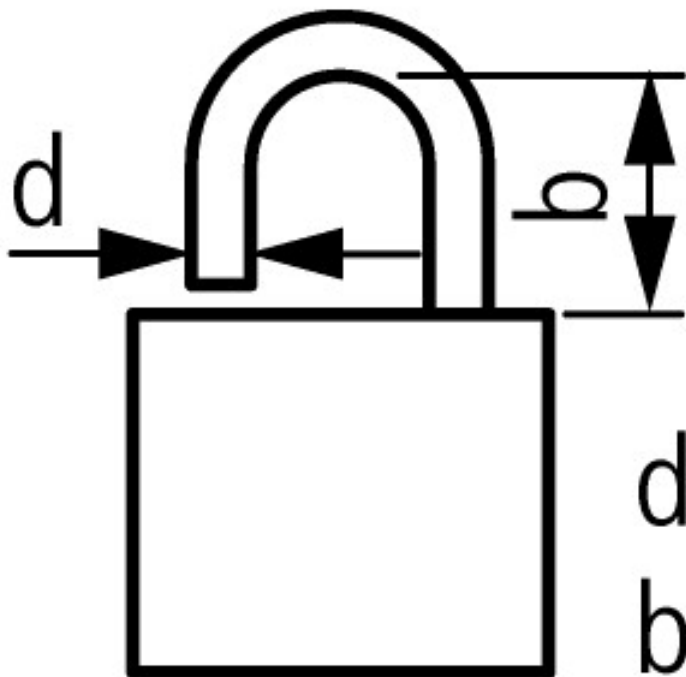
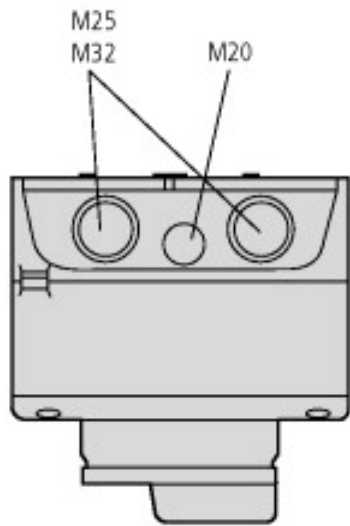
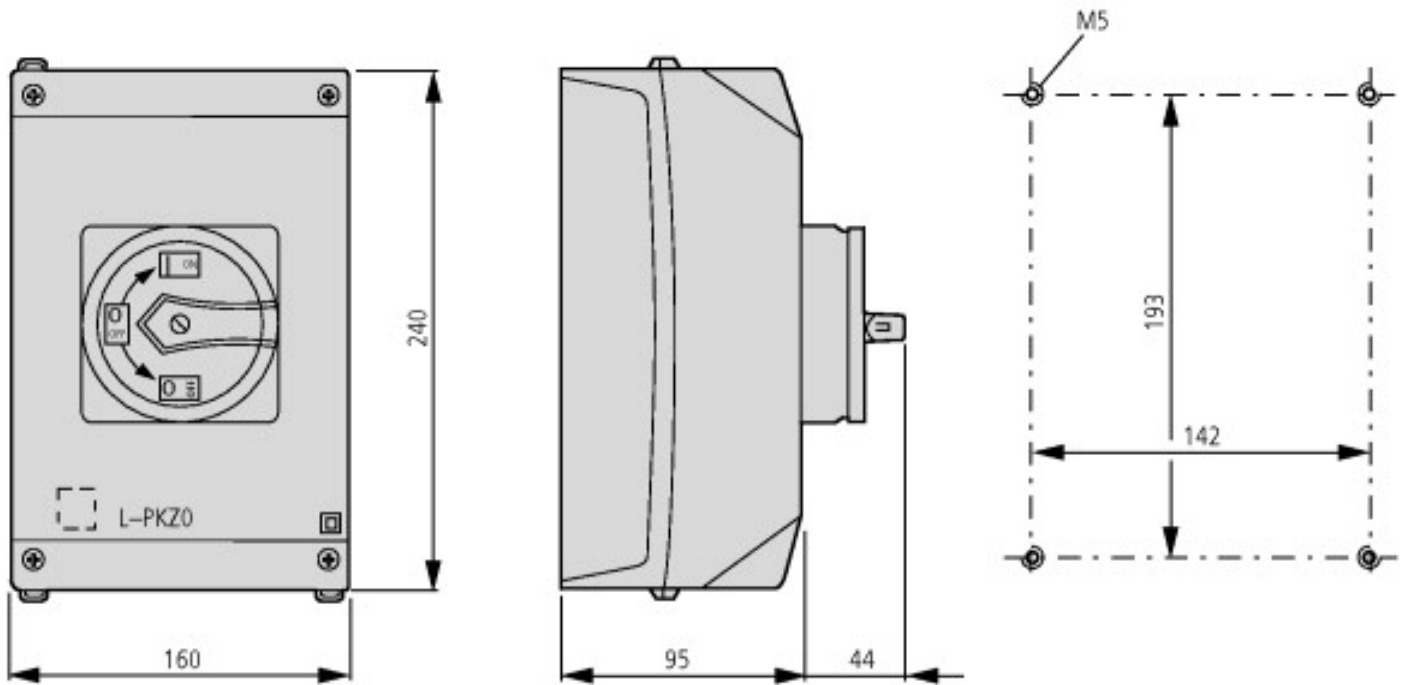
Form for ordering non-standard front plates



For utilisation category AC-4 (extreme load: 100 % inching, reversing or plugging)

The blocked rotor current of the motor should not exceed the rated current of the switch for AC-21A to ensure a reasonable device lifespan.

## Dimensions



$$d = 4 - 8 \text{ mm}$$

$$b + d \leq 47 \text{ mm}$$

**Additional product information (links)**

AWA1150-1982 (IL03801010Z) cam switches

[ftp://ftp.moeller.net/DOCUMENTATION/AWA\\_INSTRUCTIONS/19820806.pdf](ftp://ftp.moeller.net/DOCUMENTATION/AWA_INSTRUCTIONS/19820806.pdf)