

Type: **PKZM0-0,63-T**

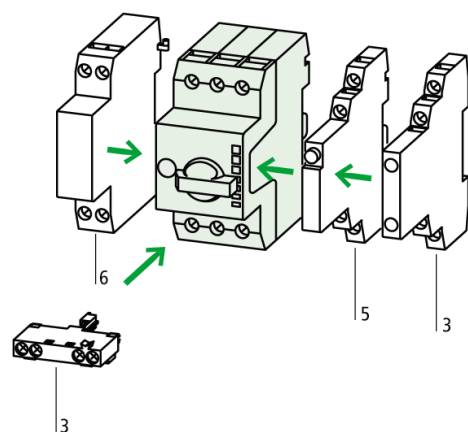
Article No.: **088910**



Ordering information

Connection technique			Screw terminals
Rated uninterrupted current	I_u	A	0.63
Setting range			
Overload releases	I_r	A	0,4 – 0,63
Short-circuit releases	I_{rm}	A	12

Notes concerning the product group



Accessories

3 Standard auxiliary contact	→ 072896
5 Trip-indicating auxiliary contact	→ 072898
6 Shunt release, undervoltage release	→ 073187

Page

For the protection of transformers with a high inrush current

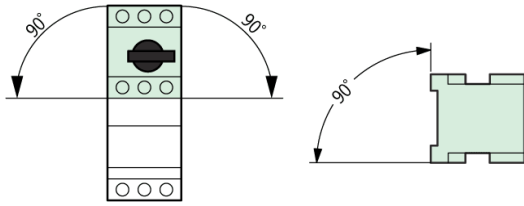
Can be snap-fitted to IEC/EN 60715 top-hat rail with 7.5 or 15 mm height

Single-phasing sensitivity to IEC/EN 60947-4-1

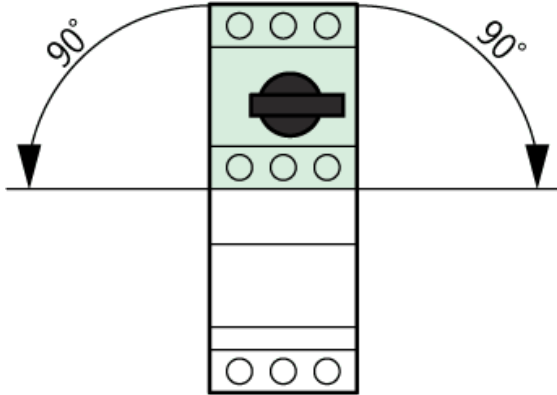
General			
Standards			IEC/EN 60947, VDE 0660, UL 508, CSA C 22.2 No. 14
Climatic proofing			Damp heat, constant, to IEC 60068-2-78 Damp heat, cyclic, to IEC 60068-2-30
Ambient temperature			
Storage		°C	-25/+80
Open		°C	-25/55
Enclosed		°C	-25/40
Direction of incoming supply			As required
Degree of protection			
Device			IP 20
Terminations			IP00
Protection against direct contact			Finger and back-of-hand proof
Mechanical shock resistance half-sinusoidal shock 10 ms to IEC 60068-2-27		g	25
Altitude		m	2000
Terminal capacities			
Solid		mm ²	1 × (1 – 6) 2 × (1 – 6)
Flexible with ferrule to DIN 46228		mm ²	1 × (1 – 6) 2 × (1 – 6)
Solid or stranded		AWG	18 – 10
Specified tightening torque for terminal screws			
Main cable		Nm	1,7
Control circuit cables		Nm	1
Main conducting paths			
Rated impulse withstand voltage	U_{imp}	V AC	6000
Oversoltage category/pollution degree			III/3
Rated operational voltage	U_e	V AC	690
	$I_u = I_e$	A	

Rated uninterrupted current = rated operational current			25 or current setting of the overcurrent release
Rated frequency		Hz	40 – 60
Current heat loss (3 pole at operating temperature)		W	6
Lifespan, mechanical	Operations	$\times 10^6$	> 0,1
Lifespan, electrical (AC–3 at 400 V)	Operations	$\times 10^6$	0,1
Maximum operating frequency			
Max. operating frequency		Ops/h	40
Short–circuit rating			
AC			
Short–circuit protection maximum fuse			Page 4/33
DC			
Short–circuit rating		kA	60
Short–circuit rating			60 (up to PKZM0–16) 40 (PKZM0–20 to PKZM0–32)
Motor switching capacity			
AC–3 up to 690 V		A	25
DC–5 (up to 250 V)		A	25 (3 contacts in series)
Trip blocks			
Temperature compensation to IEC/EN 60947, VDE 0660		°C	–5 – 40
Operating range		°C	–25 – 55
Temperature compensation residual error for T > 40 °C		%/K	0.25
Setting range of overload releases		$\times I_u$	0,6 – 1
Short–circuit release fixed		$\times I_u$	20
Short–circuit release tolerance		%	± 20
Phase–failure sensitivity			IEC/EN 60947–1–1, VDE 0660 Part 102
Dimensions			
			PKZM0–...(+NHI–E–...–PKZ0)
Explanation			Motor–protective circuit–breaker tripping characteristic (high–capacity) compact starter, PKZM0–...T (not for PKM0–...), PKZM01

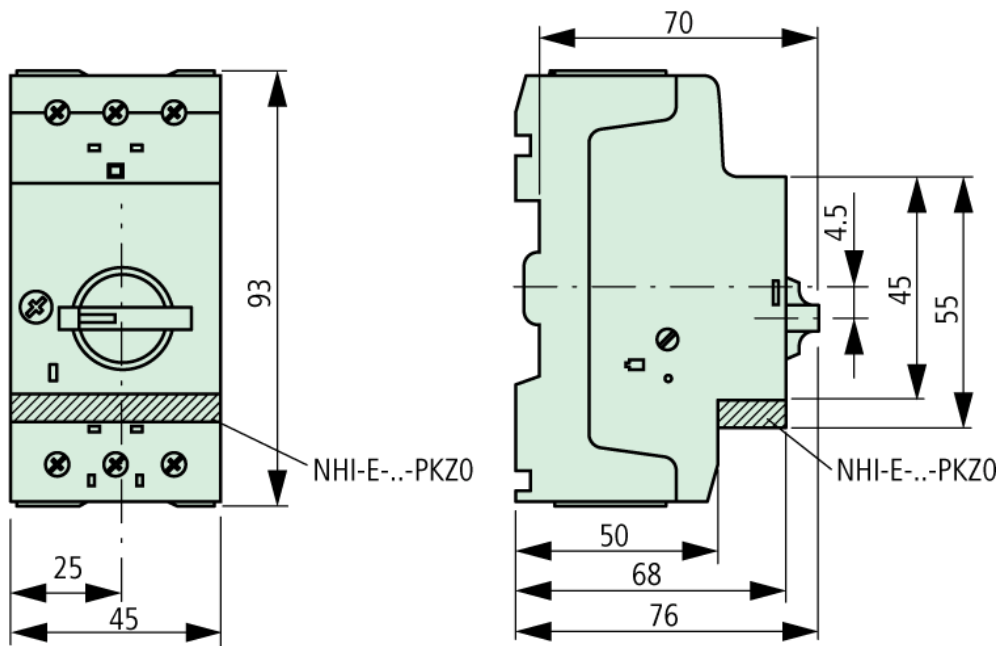
Mounting position



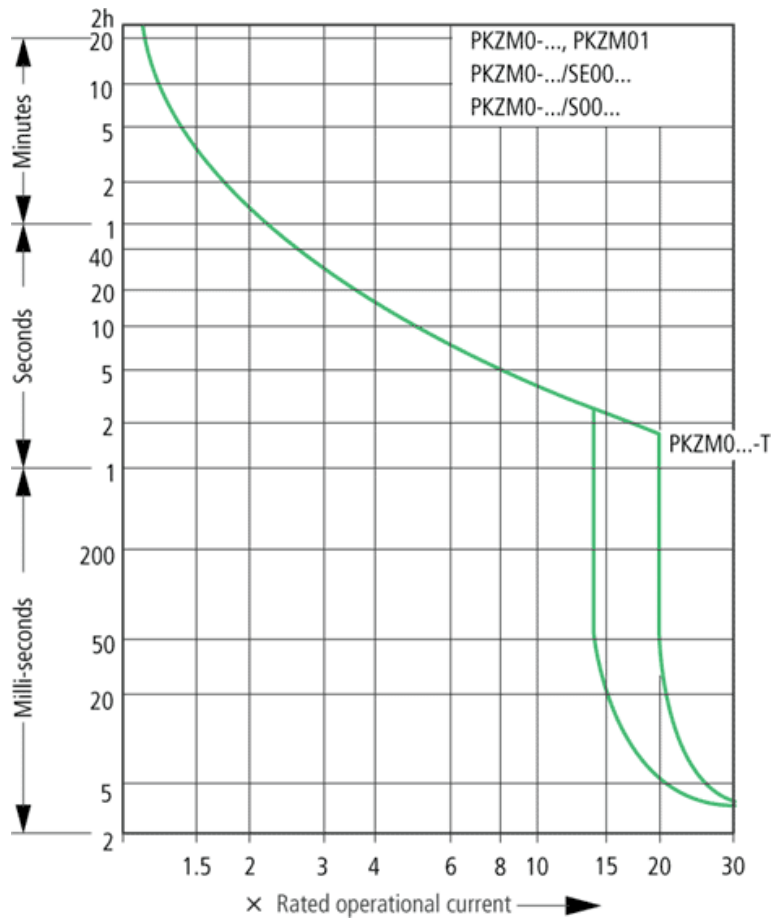
Mounting position



Dimensions



Characteristic curve



Moeller GmbH, Hein-Moeller-Str. 7-11, D-53115 Bonn
 E-Mail: catalog@moeller.net, Internet: www.moeller.net, <http://catalog.moeller.net>
 Copyright 2006 by Moeller GmbH. Subject to modifications. HPL-C2006GB-INT V2.3