



## INDICATOR LIGHTS

**Part no.**  
**Article no.**

**Q18LF-GE/WB**  
**087915**

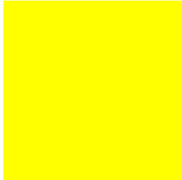


Powering Business Worldwide™

Front dimensions:

Degree of protection IP65

### Program

Product range			RMQ16 (drilling dimensions 16 mm)
Basic function			Indicator lights
Single unit/Complete unit			Single unit
Design			Flat
Description			with filament bulb, 24 V
Colour			Yellow
			
Front dimensions			Front dimensions 18 × 18 mm
Front ring			Without front ring
Connection to SmartWire-DT			no

### Approvals

UL approval	Yes
CSA approval	Yes
Product Standards	IEC/EN 60947-5; UL 508; CSA-C22.2 No. 14-05; CE marking
UL File No.	E29184
UL CCN	NKCR
CSA File No.	46552
CSA Class No.	3211-03
NA Certification	UL listed, CSA certified
Degree of Protection	UL/CSA Type 1

### General

Standards			IEC/EN 60947
Degree of protection, IEC/EN 60529			IP65
Climatic proofing			Damp heat, constant to IEC 60068-2-78 Damp heat, cyclic to IEC 60068-2-30
Ambient temperature		°C	
Open		°C	- 25 - + 60
Enclosed		°C	- 25 - 40
Mounting position			As required
Mechanical shock resistance		g	> 40 according to IEC 60068-2-27 Shock duration 11 ms Sinusoidal
Terminal capacities		mm <sup>2</sup>	0.5 - 1.0
Blade terminal			2.8 x 0.8 mm to DIN 46244
Fast-on connectors			2.8 x 0.8 mm to DIN 46247 and IEC 60760

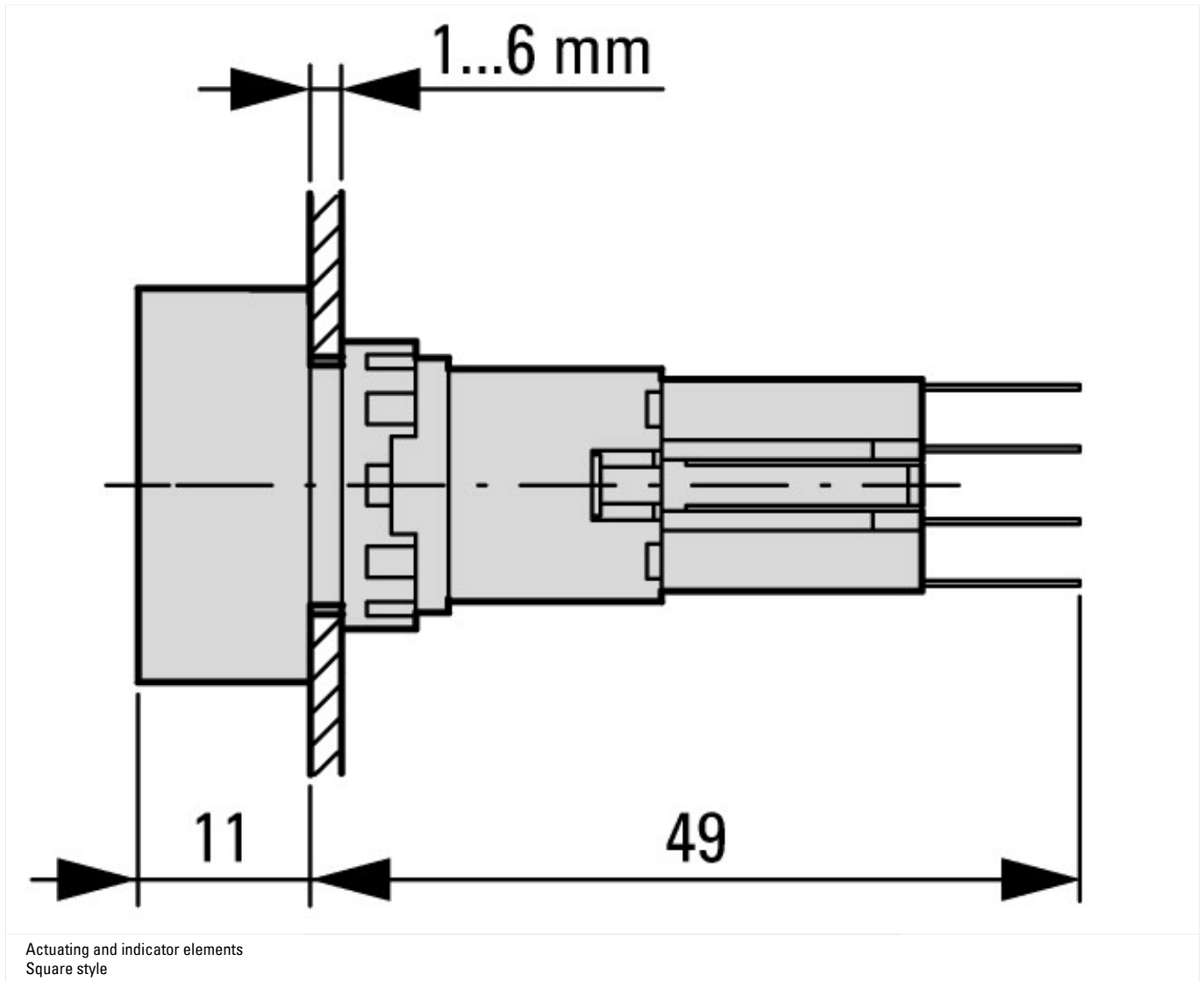
### Contacts

Rated impulse withstand voltage	U <sub>imp</sub>	V AC	800
Rated insulation voltage	U <sub>i</sub>	V	250
Overvoltage category/pollution degree			III/3
Rated operational voltage	U <sub>e</sub>	V AC	24
Use of insulated ferrule ISH 2,8			>24 V AC/DC recommended >50 V AC or 120 V DC is mandatory, even on unused blade terminals

## Technical data according to ETIM 4.0

Type of lens			flush
Width of opening		mm	16
Suitable for number of built-in indicator lights			1
Color lens			yellow
Material front ring			Insulated material
Color bezel			black
Lens design			quadratic
Height meter opening		mm	6
With bezel			YES
Protection type (IP), at front			IP65
Hole diameter		mm	16

## Dimensions



## Additional product information (links)

<b>IL04716016Z (AWA1160-1429) Mounting of components</b>	
IL04716016Z (AWA1160-1429) Mounting of components	<a href="ftp://ftp.moeller.net/DOCUMENTATION/AWA_INSTRUCTIONS/IL04716016Z2011_03.pdf">ftp://ftp.moeller.net/DOCUMENTATION/AWA_INSTRUCTIONS/IL04716016Z2011_03.pdf</a>
Labeleditor	<a href="ftp://ftp.moeller.net/MFD/EASY-SOFT-PRO/labeleditor_206.exe">ftp://ftp.moeller.net/MFD/EASY-SOFT-PRO/labeleditor_206.exe</a>