



## KEY-OPERATED BUTTON

**Part no.** Q18S3R  
**Article no.** 072314


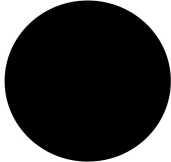


Powering Business Worldwide™

With a code, incl. anti-rotation feature VS

Every colour corresponds to separate lock mechanism



### Program

Product range			RMQ16 (drilling dimensions 16 mm)
Basic function			Key-operated buttons
Single unit/Complete unit			Single unit
Description			With 1 key with VS anti-rotation tab 3 positions
Function			maintained  left: 45° right: 45°
Key withdrawable in position			0
			II
Colour			Black
			
Front dimensions			Front dimensions 18 × 18 mm
Connection to SmartWire-DT			no

### Approvals

UL approval	Yes
CSA approval	Yes
Product Standards	IEC/EN 60947-5; UL 508; CSA-C22.2 No. 14-05; CE marking
UL File No.	E29184
UL CCN	NKCR
CSA File No.	46552
CSA Class No.	3211-03
NA Certification	UL listed, CSA certified
Degree of Protection	UL/CSA Type 1

### General

Standards			IEC/EN 60947
Lifespan, mechanical	Operations	x 10 <sup>6</sup>	> 3
Operating frequency	Operations/ h		 1800
Operating torque		Nm	 0.4
Degree of protection, IEC/EN 60529			IP65
Climatic proofing			Damp heat, constant to IEC 60068-2-78 Damp heat, cyclic to IEC 60068-2-30
Ambient temperature		°C	
Open		°C	- 25 - + 60
Enclosed		°C	- 25 - 40
Mounting position			As required
Mechanical shock resistance		g	> 40 according to IEC 60068-2-27 Shock duration 11 ms Sinusoidal

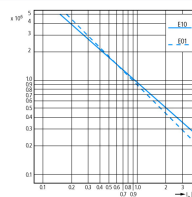
Terminal capacities		mm <sup>2</sup>	0.5 - 1.0
Blade terminal			2.8 x 0.8 mm to DIN 46244
Fast-on connectors			2.8 x 0.8 mm to DIN 46247 and IEC 60760

### Contacts

Rated impulse withstand voltage	$U_{imp}$	V AC	800
Rated insulation voltage	$U_i$	V	250
Overvoltage category/pollution degree			III/3
Rated operational voltage	$U_e$	V AC	24
Control circuit reliability			
at 24 V DC/5 mA	$H_F$	Fault probability	$< 10^{-7}$ (i.e. 1 failure to $10^7$ operations)
at 5 V DC/1 mA	$H_F$	Fault probability	$< 5 \times 10^{-6}$ (1 failure in $5 \times 10^6$ operations)
Use of insulated ferrule ISH 2,8			On >24 V AC/DC recommended On >50 V AC or 120 V DC mandatory, also on unoccupied blade terminals

### Switching capacity

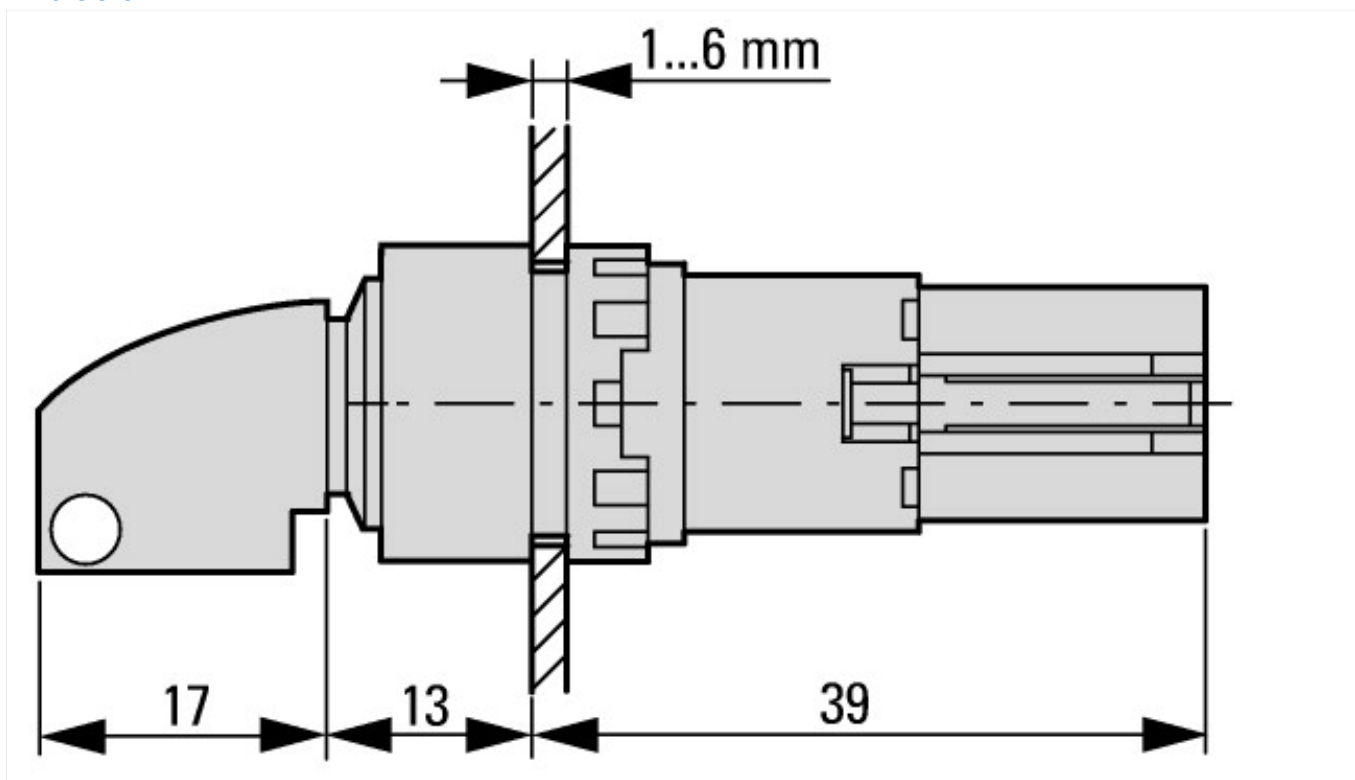
Lifespan, electrical AC-15 to IEC/EN 60947-5-1 at 230 V;  $I_e$  = rated operational current



### Technical data according to ETIM 4.0

Color bezel			black
Suitable for illumination			No
Lens design			quadratic
Protection type (IP), at front			IP65
Material front ring			Insulated material
Momentary			No
Number of switch positions			3
Color actuator			black
Hole diameter		mm	16
With bezel			YES

### Dimensions



Actuating and indicator elements  
Square style

### Additional product information (links)

#### IL04716016Z (AWA1160-1429) Mounting of components

IL04716016Z (AWA1160-1429) Mounting  
of components

[ftp://ftp.moeller.net/DOCUMENTATION/AWA\\_INSTRUCTIONS/IL04716016Z2011\\_03.pdf](ftp://ftp.moeller.net/DOCUMENTATION/AWA_INSTRUCTIONS/IL04716016Z2011_03.pdf)