



ACTUATOR

Part no.
Article no.

Q25D-BL
086328




Powering Business Worldwide™

Front dimensions

Degree of protection IP65



Program

Product range			RMQ16 (drilling dimensions 16 mm)
Basic function			Pushbutton actuators
Single unit/Complete unit			Single unit
Function			momentary
Colour of button plate			Blue
Button plate			
Front dimensions			25 x 25
Front ring			without front ring
Connection to SmartWire-DT			no

Approvals

UL approval	Yes
CSA approval	Yes
Product Standards	IEC/EN 60947-5; UL 508; CSA-C22.2 No. 14-05; CE marking
UL File No.	E29184
UL CCN	NKCR
CSA File No.	46552
CSA Class No.	3211-03
NA Certification	UL listed, CSA certified
Degree of Protection	UL/CSA Type 1

General

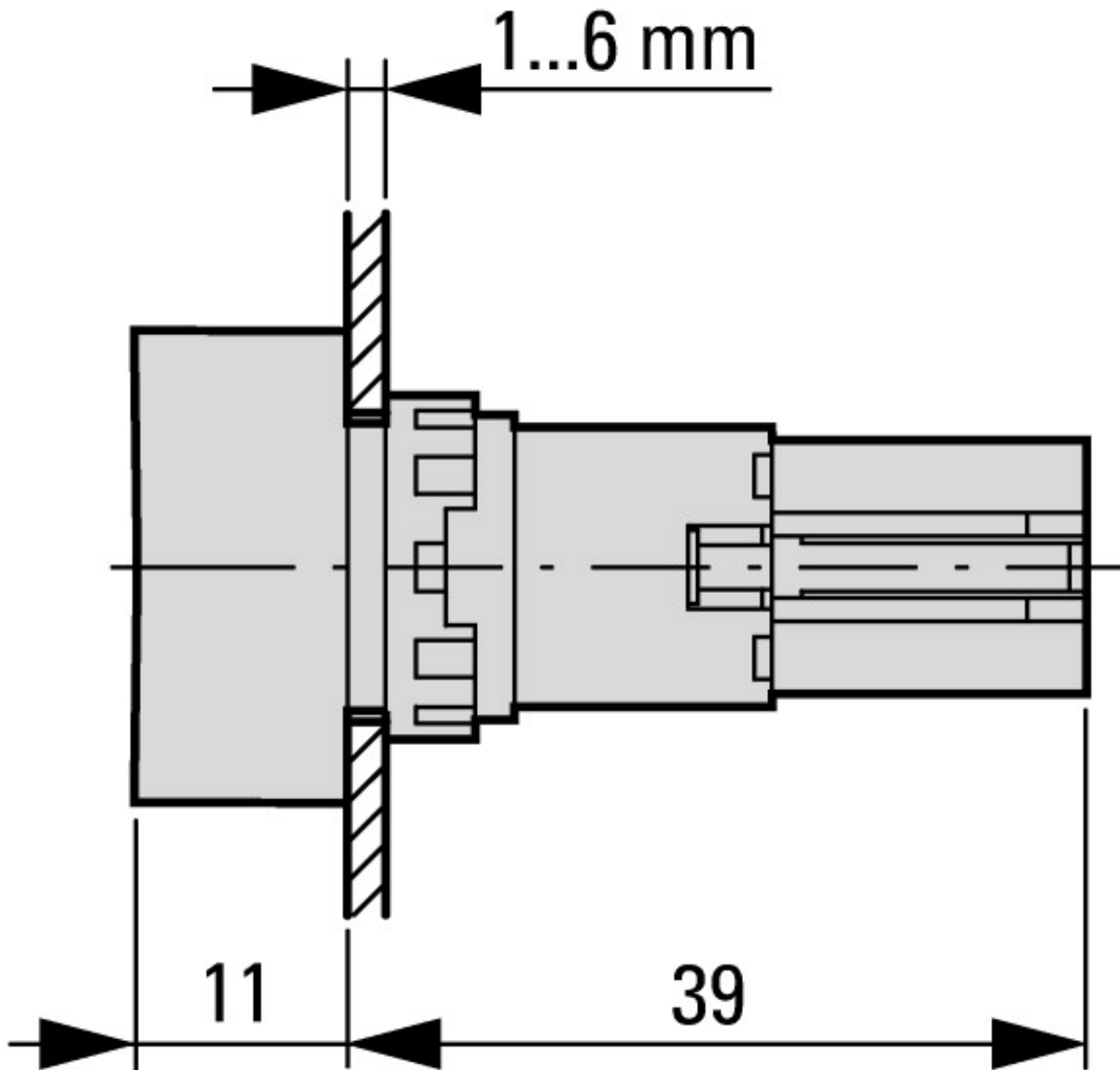
Standards			IEC/EN 60947, VDE 0660
Lifespan, mechanical	Operations	x 10 ⁶	> 3
Operating frequency	Operations/h		 3600
Actuating force		n	 4
Protection type			IP65
Climatic proofing			Damp heat, constant to IEC 60068-2-78 Damp heat, cyclic to IEC 60068-2-30
Ambient temperature		°C	
Open		°C	- 25 - + 60
Enclosed		°C	- 25 - 40
Mounting position			As required
Mechanical shock resistance		g	> 40 according to IEC 60068-2-27 Shock duration 11 ms Sinusoidal

Technical data according to ETIM 4.0

Lens design			quadratic
Number of locations			1
Protection type (IP), at front			IP65
Momentary			YES
Color button			blue
Hole diameter		mm	16

Width of opening		mm	16
Design of button			flush
Color bezel			black
With bezel			YES
Height meter opening		mm	6
Switching function latching			No
Suitable for illumination			No
Material front ring			Insulated material

Dimensions



Actuating and indicator elements
Square style

Additional product information (links)

IL04716016Z (AWA1160-1429) Mounting of components

IL04716016Z (AWA1160-1429) Mounting
of components

ftp://ftp.moeller.net/DOCUMENTATION/AWA_INSTRUCTIONS/IL04716016Z2011_03.pdf

Labeleditor

ftp://ftp.moeller.net/MFD/EASY-SOFT-PRO/labeleditor_206.exe