



ILLUMINATED PUSH-BUTTON



Powering Business Worldwide™

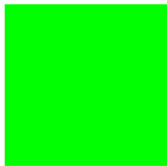
Part no. Q25LT-GN/WB

Article no. 089190

Front dimensions:

IP65



Program

Product range			RMQ16 (drilling dimensions 16 mm)
Basic function			Illuminated pushbutton actuators
Single unit/Complete unit			Single unit
Function			momentary
Description			with filament bulb, 24 V
Colour			
			Green
Lens			
Front dimensions			25 x 25
Front ring			without front ring
Connection to SmartWire-DT			no

Approvals

UL approval	Yes
CSA approval	Yes
Product Standards	IEC/EN 60947-5; UL 508; CSA-C22.2 No. 14-05; CE marking
UL File No.	E29184
UL CCN	NKCR
CSA File No.	46552
CSA Class No.	3211-03
NA Certification	UL listed, CSA certified
Degree of Protection	UL/CSA Type 1

General

Standards			IEC/EN 60947
Lifespan, mechanical	Operations	x 10 ⁶	> 3
Operating frequency	Operations/ h		 3600
Actuating force		n	 4
Protection type			IP65
Climatic proofing			Damp heat, constant to IEC 60068-2-78 Damp heat, cyclic to IEC 60068-2-30
Ambient temperature		°C	
Open		°C	- 25 - + 60
Enclosed		°C	- 25 - 40
Mounting position			As required
Mechanical shock resistance		g	> 40 according to IEC 60068-2-27 Shock duration 11 ms Sinusoidal
Blade terminal			2.8 x 0.8 mm to DIN 46244
Fast-on connectors			2.8 x 0.8 mm to DIN 46247 and IEC 60760

Contacts

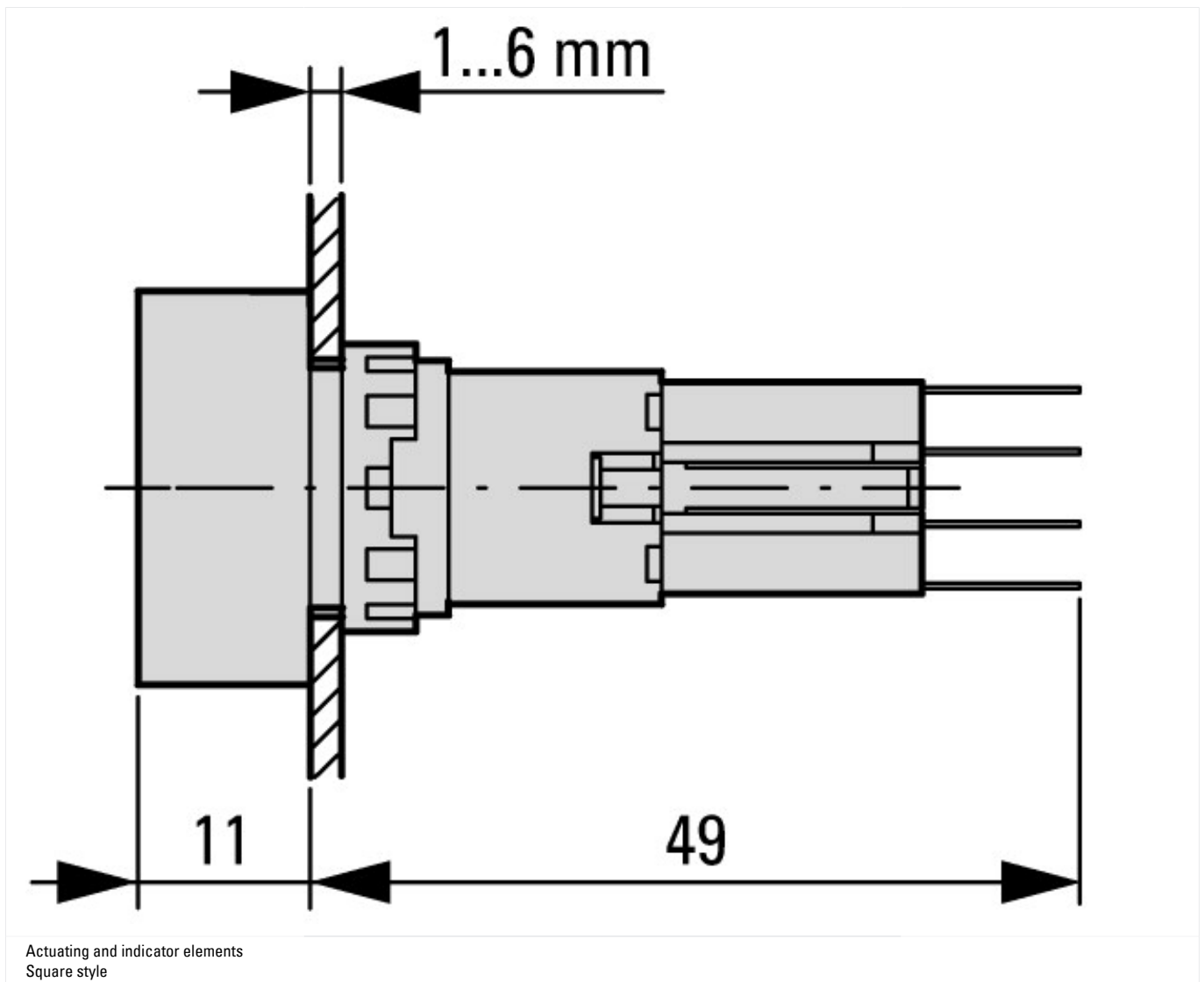
Rated impulse withstand voltage	U _{imp}	V AC	800
Rated insulation voltage	U _i	V	250
Overvoltage category/pollution degree			III/3

Rated operational voltage	U _e	V AC	24
Control circuit reliability			
at 24 V DC/5 mA	H _F	Fault probability	< 10 ⁻⁷ , < 1 faults in 10 ⁷ switch operations
at 5 V DC/1 mA	H _F	Fault probability	< 5 x 10 ⁻⁶ (1 failure in 5 x 10 ⁶ operations)
Use of insulated ferrule ISH 2,8			>24 V AC/DC recommended >50 V AC or 120 V DC is mandatory, even on unused blade terminals

Technical data according to ETIM 4.0

Lens design			quadratic
Number of locations			1
Protection type (IP), at front			IP65
Momentary			YES
Color button			green
Hole diameter		mm	16
Width of opening		mm	16
Design of button			flush
Color bezel			black
With bezel			YES
Height meter opening		mm	6
Switching function latching			No
Suitable for illumination			YES
Material front ring			Insulated material

Dimensions



Additional product information (links)

IL04716016Z (AWA1160-1429) Mounting of components	
IL04716016Z (AWA1160-1429) Mounting of components	ftp://ftp.moeller.net/DOCUMENTATION/AWA_INSTRUCTIONS/IL04716016Z2011_03.pdf
Labeleditor	ftp://ftp.moeller.net/MFD/EASY-SOFT-PRO/labeleditor_206.exe