



Emergency stop/switching off button



Powering Business Worldwide™

Part no. Q25PV
Article no. 072370

Front dimensions

Overload-protected to ISO 13850, EN 418

Pushbutton remains in pushed position; release by pulling

Can also be used as emergency switching off pushbuttons

Program

Approval			
Mark of conformity 2			
Product range			RMQ16 (drilling dimensions 16 mm)
Basic function			Emergency stop buttons
Single unit/Complete unit			Single unit
Description			Overload-protected to ISO 13850, EN 418 Pushbutton remains in pushed position Pull to release can also be used as emergency switching off pushbuttons Non-illuminated
Colour			Red
Front dimensions			Front dimensions 25 × 25 mm
Connection to SmartWire-DT			no

Approvals

UL approval	Yes
CSA approval	Yes
Product Standards	IEC/EN 60947-5; UL 508; CSA-C22.2 No. 14-05; CE marking
UL File No.	E29184
UL CCN	NKCR
CSA File No.	46552
CSA Class No.	3211-03
NA Certification	UL listed, CSA certified
Degree of Protection	UL/CSA Type 1

General

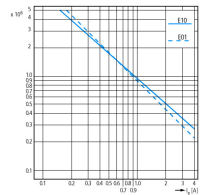
Standards			IEC/EN 60947
Lifespan, mechanical	Operations	x 10 ⁶	> 0.1
Operating frequency	Operations/h		600
Actuating force		n	25
Degree of protection, IEC/EN 60529			IP65
Climatic proofing			Damp heat, constant to IEC 60068-2-78 Damp heat, cyclic to IEC 60068-2-30
Ambient temperature		°C	

Open		°C	- 25 - + 60
Enclosed		°C	- 25 - 40
Mounting position			As required
Mechanical shock resistance		g	> 40 according to IEC 60068-2-27 Shock duration 11 ms Sinusoidal
Terminal capacities		mm ²	0.5 - 1.0
Blade terminal			2.8 x 0.8 mm to DIN 46244
Fast-on connectors			2.8 x 0.8 mm to DIN 46247 and IEC 60760

Contacts

Rated impulse withstand voltage	U _{imp}	V AC	800
Rated insulation voltage	U _i	V	250
Overvoltage category/pollution degree			III/3
Rated operational voltage	U _e	V AC	24
Control circuit reliability			
at 24 V DC/5 mA	H _F	Fault probability	< 10 ⁻⁷ (i.e. 1 failure to 10 ⁷ operations)
at 5 V DC/1 mA	H _F	Fault probability	< 5 x 10 ⁻⁶ (1 failure in 5 x 10 ⁶ operations)
Use of insulated ferrule ISH 2,8			On >24 V AC/DC recommended On >50 V AC or 120 V DC mandatory, also on unoccupied blade terminals

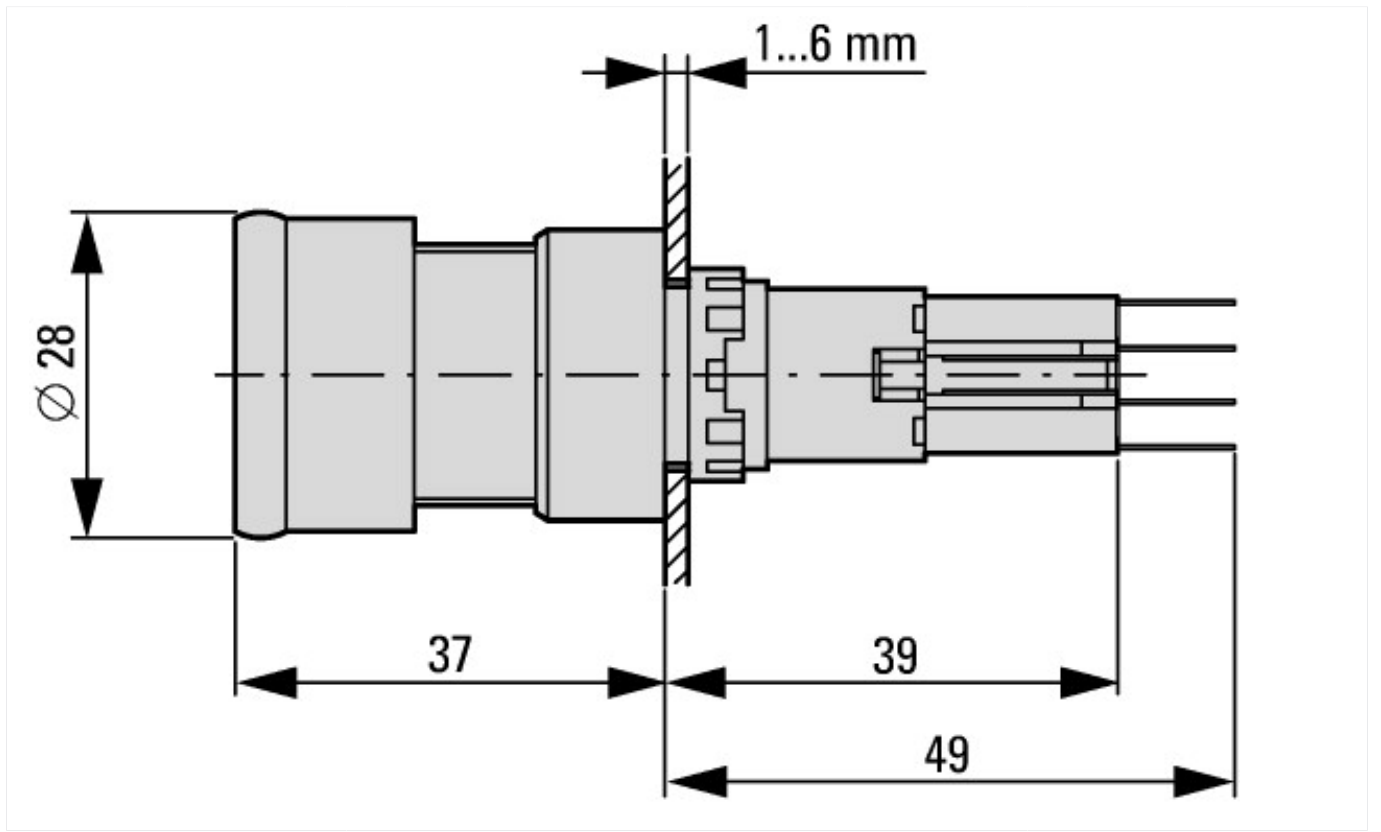
Switching capacity

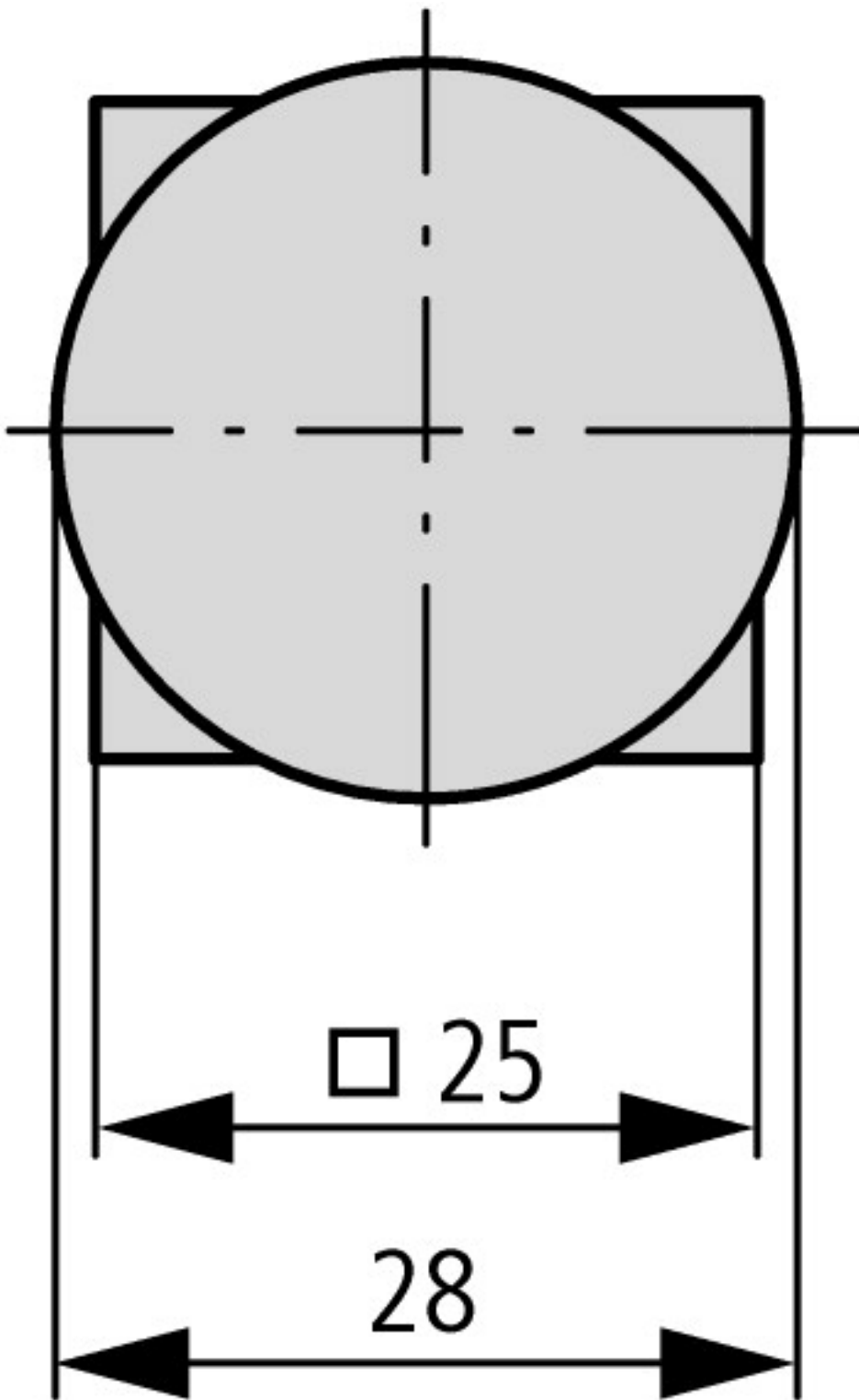
Lifespan, electrical AC-15 to IEC/EN 60947-5-1 at 230 V; I _e = rated operational current			
---	--	--	---

Technical data according to ETIM 4.0

With bezel			No
Unlocking method			Pull release
Lens design			Round
Suitable for illumination			No
Hole diameter		mm	16
Suitable for emergency switching off			YES
Color button			red
Color bezel			-
Width of opening		mm	16
Height meter opening		mm	6
Protection type (IP)			IP65
Material front ring			-
Diameter cap		mm	28
Momentary			YES
Switching function latching			YES
Design of button			Extended

Dimensions





Actuating and indicator elements
Square style

Additional product information (links)

IL04716016Z (AWA1160-1429) Mounting of components

IL04716016Z (AWA1160-1429) Mounting
of components

ftp://ftp.moeller.net/DOCUMENTATION/AWA_INSTRUCTIONS/IL04716016Z2011_03.pdf