



## ON-OFF SWITCH

Part no.

T3-4-15682/12/SVB

Article no.

207210



IP 65

IP 65

### Delivery programme

			As Emergency-Stop device
			With auxiliary contacts
Contact sequence			
Main conducting paths			
No. of poles		M	6
Auxiliary contacts			
		N/O	1
		B	1
Max. motor rating			
AC-23A			
400/415 V 50-60 Hz	P	kW	13
Rated uninterrupted current	$I_u$	A	32
Design			Surface mounting
Note for table header According to IEC/EN 60204-1, VDE 0113 Part 1; with red rotary handle and yellow locking collar, lockable in 0 position			

### General

Standards			IEC/EN 60947, VDE 0660, IEC/EN 60204, CSA, UL Switch-disconnectors to IEC/EN 60947-3 Load-break switches to IEC/EN 60947-3
Lifespan, mechanical	Operations	$\times 10^6$	0.5
Maximum operating frequency	Operations/h		3000
Climatic proofing			Damp heat, constant, to IEC 60068-2-78; Damp heat, cyclical, to IEC 60068-2-30
Ambient temperature		°C	
Open		°C	- 25 ... 50
Enclosed		°C	- 25 ... 40
Mounting position			As required
Mechanical shock resistance to IEC 60068-2-27	Half-sinusoidal shock 20 ms	g	> 15

### Contacts

Rated operational voltage	$U_e$	V AC	690
Rated impulse withstand voltage	$U_{imp}$	V AC	6000
Overvoltage category/pollution degree			III/3
Rated uninterrupted current	$I_u$	A	
open	$I_u$	A	32
Enclosed	$I_u$	A	32
Load rating with intermittent operation, class 12			
AB 25 % DF		$\times I_e$	2
AB 40 % DF		$\times I_e$	1.6
AB 60 % DF		$\times I_e$	1.3
Short-circuit rating			
Fuse		A gG/gL	35

Rated short-time withstand current (1 s current)	$I_{cw}$	$A_{rms}$	650
Safe isolation to VDE 0106 Part 101 and Part 101/A1			
between the contacts		V AC	440
Switching angles		°	90 60 45 30
Contact units			11
Double-break contacts			max. 22
Current heat loss per contact at $I_e$		W	1.1

### Terminal capacities

Solid or stranded		mm <sup>2</sup>	1 × (1 – 6) 2 × (1 – 6)
Flexible with ferrule to DIN 46228		mm <sup>2</sup>	1 × (0.75 – 4) 2 × (0.75 – 4)
Terminal screw			M4
Tightening torque		Nm	2

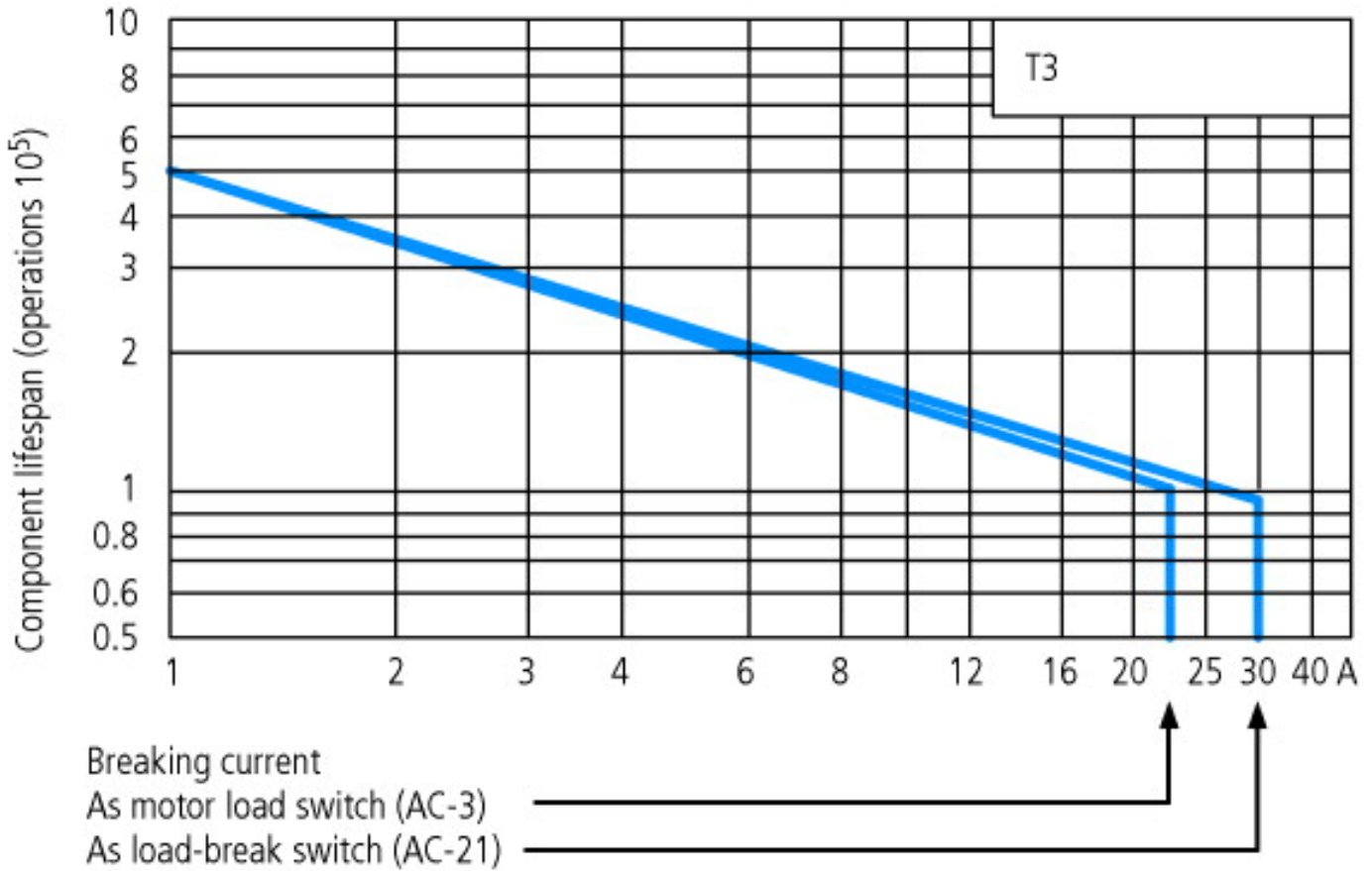
### Switching capacity

AC		× $U_s$	
Rated making capacity $\cos \varphi = 0.35$		A	320
Rated breaking capacity, motor load switch $\cos \varphi = 0.35$		A	
230 V		A	260
400 V		A	260
500 V		A	240
690 V		A	170
Rated operational current 440 V load-break switch AC-21A	$I_e$	A	32
AC-23A Motor load switches (main switches maintenance switches)	P	kW	
230 V	P	kW	7.5
400 V	P	kW	13
500 V	P	kW	15
Rated operational current control switch AC-15			
230 V	$I_e$	A	10
400 V	$I_e$	A	6
500 V	$I_e$	A	4
DC		× $U_s$	
DC-1, Load-break switches L/R = 1 ms			
Rated operational current	$I_e$	A	25
Voltage per contact pair in series		V	60
DC-21A			
Rated operational current 240 V	$I_e$	A	1
240 V Contacts		Quantity	1
DC-23A, motor load switch L/R = 15 ms			
24 V			
Rated operational current	$I_e$	A	25
Contacts		Quantity	1
48 V			
Rated operational current	$I_e$	A	25
Contacts		Quantity	2
60 V			
Rated operational current	$I_e$	A	25
Contacts		Quantity	3
120 V			
Rated operational current	$I_e$	A	12
Contacts		Quantity	3
240 V			
Rated operational current	$I_e$	A	5

Contacts		Quantity	5
DC-13, Control switches L/R = 50 ms			
Rated operational current	$I_e$	A	20
Voltage per contact pair in series		V	32
Control circuit reliability at 24 V DC, 10 mA	Fault probability	$H_F$	$< 10^{-5}$ , $< 1$ fault in 100000 operations

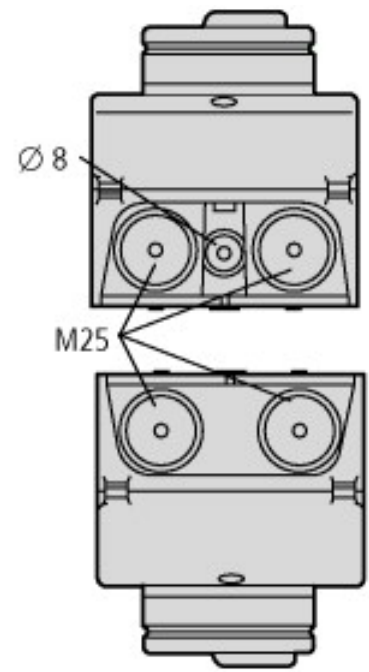
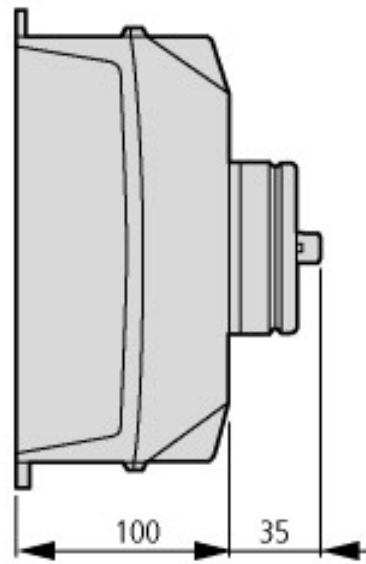
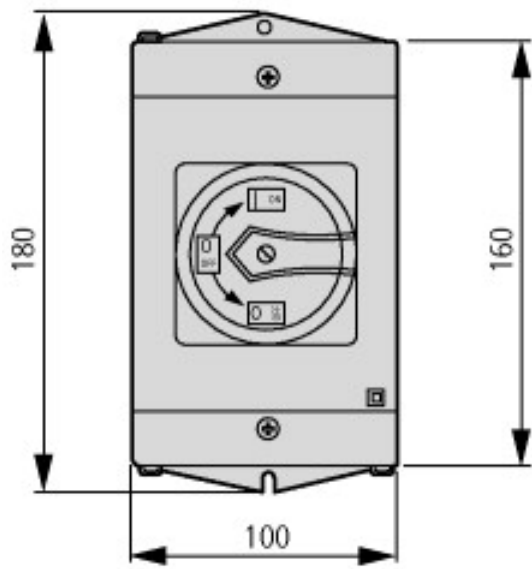
### Notes

**Notes** For mechanical shock resistance: T3.../I... >12g  
Applies to T0(3).../SVB: isolating characteristics to IEC/EN 60947 U for rated operational voltage up to 500 V AC  
Applies to rated uninterrupted current  $I_u$  of the contact: with T5-4-8344/I5 max. 95 A  
For terminal capacity solid, stranded and flexible:  
T0(3), (6), (8)...: Maximum of 2 cross-section sizes difference admissible between 2 conductors  
T5(B)-...: Maximum of 1 cross-section size difference admissible between 2 conductors  
For type T8-3-8342/... the following applies: switching angle = 90° and flat connection = 1 busbar 25 × 5 or 2 busbars 20 × 3

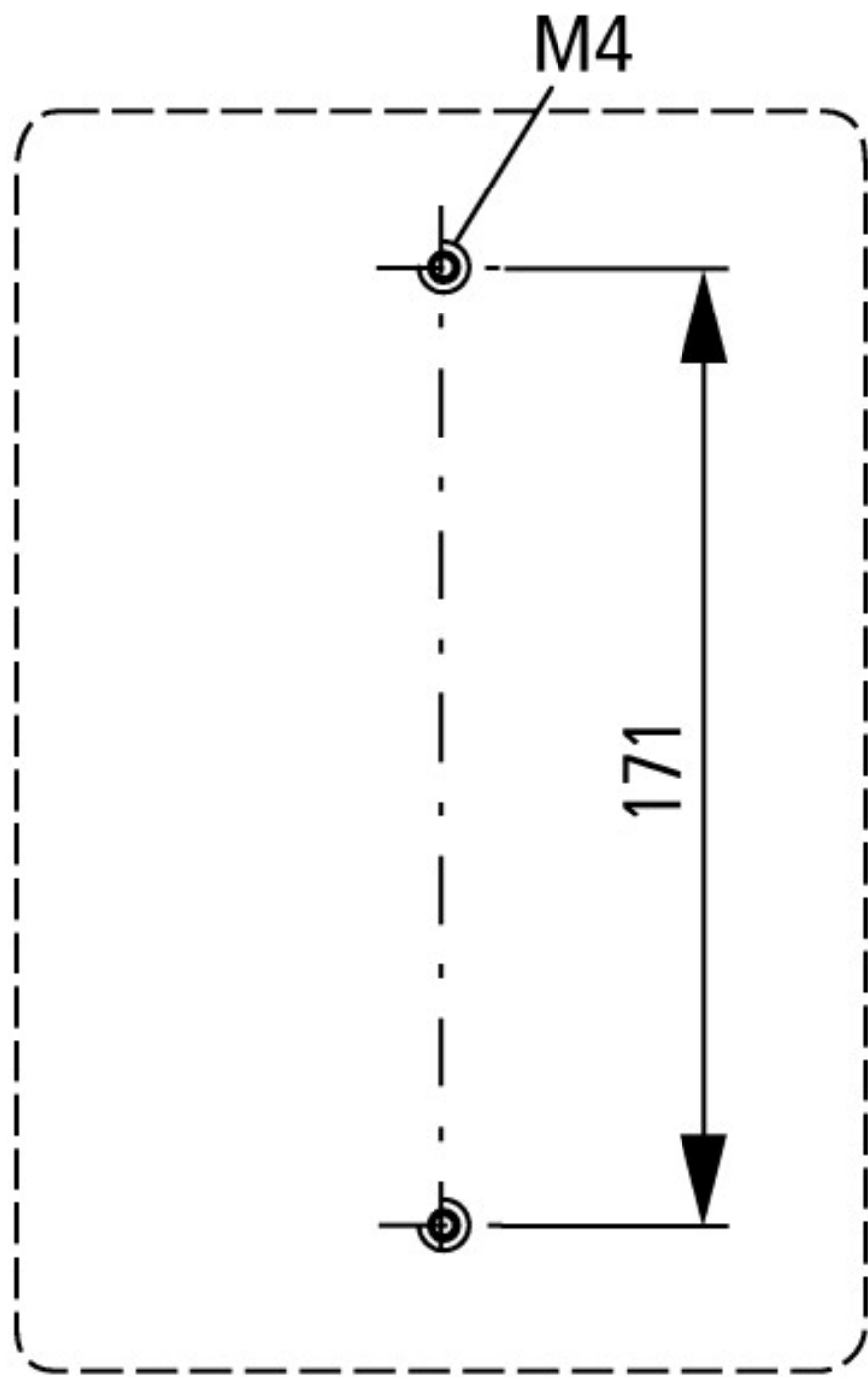


For utilisation category AC-4 (extreme load: 100 % inching, reversing or plugging)  
The blocked rotor current of the motor should not exceed the rated current of the switch for AC-21A to ensure a reasonable device lifespan.

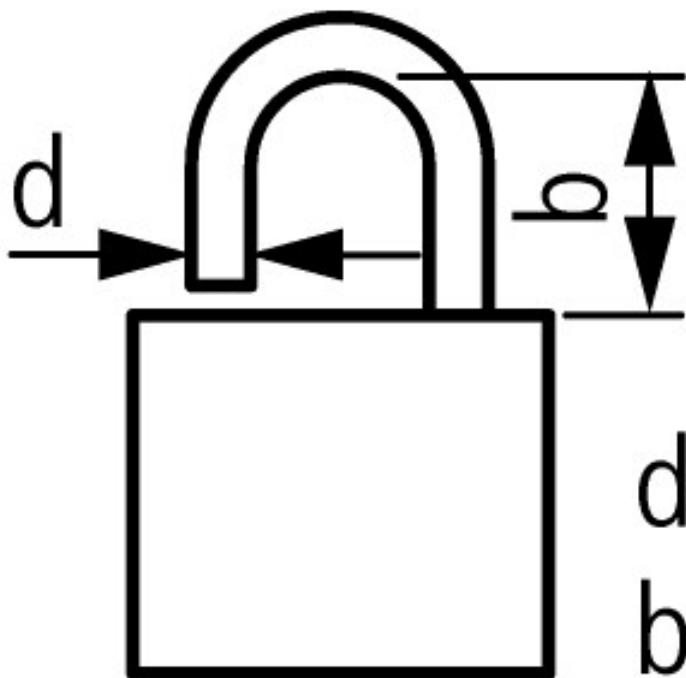
### Dimensions



Depth of one contact unit: 11.5 mm




Diameter of drilled hole Bottom



$$d = 4 - 8 \text{ mm}$$

$$b + d \leq 47 \text{ mm}$$

 3 Padlocks

#### Additional product information (links)

##### Installation instructions

AWA1150-1688 Rotary switch

[ftp://ftp.moeller.net/DOCUMENTATION/AWA\\_INSTRUCTIONS/16880605.pdf](ftp://ftp.moeller.net/DOCUMENTATION/AWA_INSTRUCTIONS/16880605.pdf)