



**I(G) ON-OFF switch**

**Part no.**

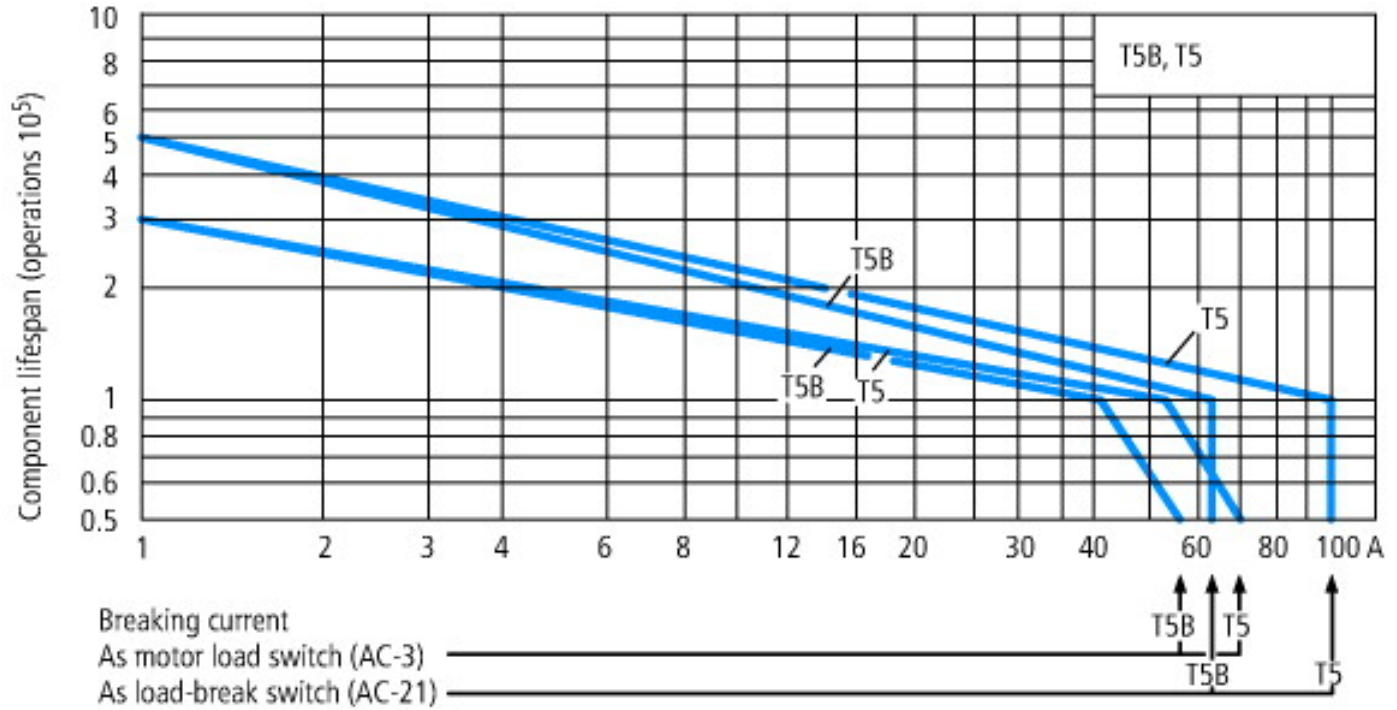
**T5B-1-8200/14**

**Article no.**

**207218**

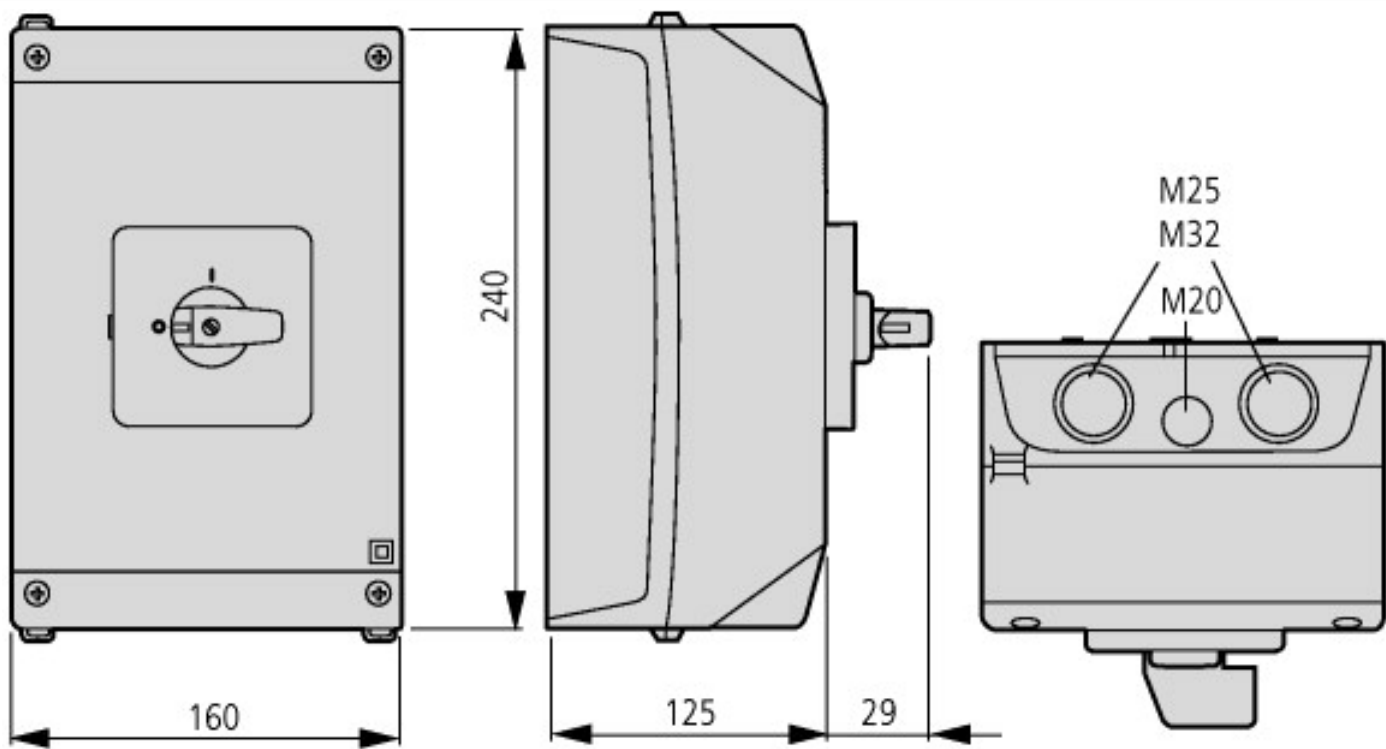


IP 65

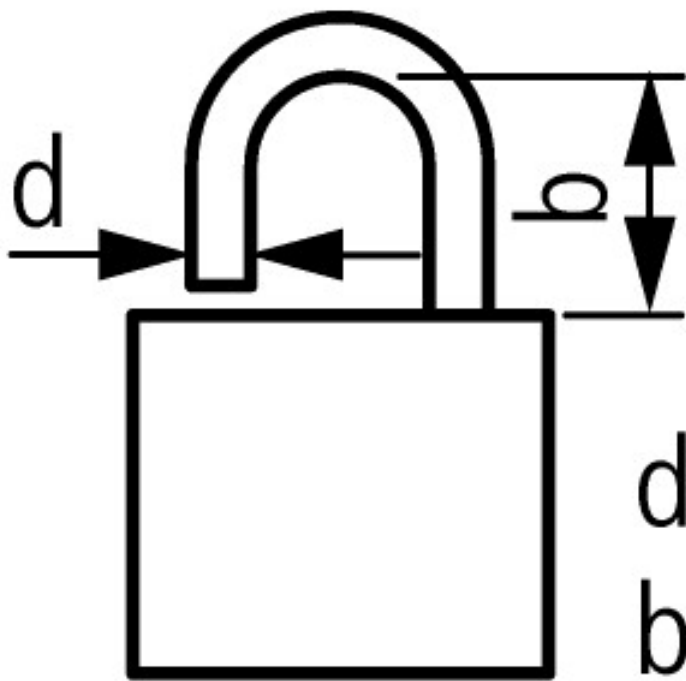


For utilisation category AC-4 (extreme load: 100 % inching, reversing or plugging)  
 The blocked rotor current of the motor should not exceed the rated current of the switch for AC-21A to ensure a reasonable device lifespan.

**Dimensions**



Depth of one contact unit: 16.5 mm  
 The rotary switches T5B and T5 are of identical design but differ in their contacts.



$$d = 4 - 8 \text{ mm}$$

$$b + d \leq 47 \text{ mm}$$

#### Additional product information (links)

##### Installation instructions

AWA1150-1692

[ftp://ftp.moeller.net/DOCUMENTATION/AWA\\_INSTRUCTIONS/16920808.pdf](ftp://ftp.moeller.net/DOCUMENTATION/AWA_INSTRUCTIONS/16920808.pdf)

AWA1150-1692 Rotary switch

[ftp://ftp.moeller.net/DOCUMENTATION/AWA\\_INSTRUCTIONS/16920808.pdf](ftp://ftp.moeller.net/DOCUMENTATION/AWA_INSTRUCTIONS/16920808.pdf)