



Part Number : [561618081](#)

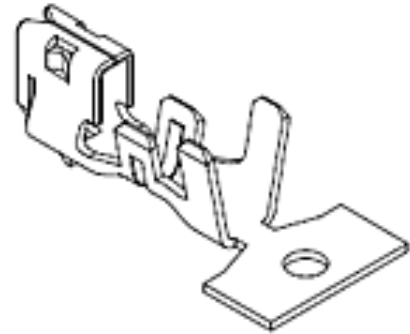
Product Description : 2.00mm Pitch DuraClik Crimp Terminal, Female, 22-26 AWG, Gold (Au) Plating, Reel

Series Number : 56161

Status : Active

Product Category : Crimp Terminals

Packaging Alternative : 0561618181 (Bag)



Documents & Resources

Drawings

[Drawing 561618081_sd.pdf](#)

3D Models and Design Files

[3D Model PDF 561618081.pdf](#)

[3D Model 561618081_stp.zip](#)

Specifications

[Application Specification AS-54992-005-001.pdf](#)

[Packaging Specification 561619200-200.pdf](#)

[Product Specification PS-502351-002-001.pdf](#)

Tooling Specifications

[Application Tooling Specification 571753710ATS-000.pdf](#)

[Application Tooling Specification 571753710ATS-J-000.pdf](#)

[Crimp Specification CS-56161-003-001.pdf](#)

Product Environment Compliance

Compliance

GADSL/IMDS	Not Relevant
China RoHS	
EU ELV	Not Relevant
Low-Halogen Status	Low-Halogen per IEC 61249-2-21
REACH SVHC	Not Contained per D(2023)3788-DC (14 Jun 2023)
EU RoHS	Compliant per EU 2015/863

Multiple Part Product Compliance Statements

- Eu RoHS
- REACH SVHC
- Low-Halogen

Multiple Part Industry Compliance Documents

- IPC 1752A Class C
- IPC 1752A Class D
- Molex Product Compliance Declaration
- IEC-62474
- chemSHERPA (xml)

EU RoHS Certificate of Compliance

Part Details

General

Status	Active
Category	Crimp Terminals
Series	56161
Description	2.00mm Pitch DuraClik Crimp Terminal, Female, 22-26 AWG, Gold (Au) Plating, Reel
Application	Automotive, Signal, Wire-to-Board
Product Family	DuraClik Connector System
Product Name	DuraClik
UPC	800756476667

Electrical

Current - Maximum per Contact	3.0A
Voltage - Maximum	125V

Physical

Gender	Female
Material - Metal	Phosphor Bronze
Material - Plating Mating	Gold
Material - Plating Termination	Nickel
Net Weight	18.300/mg
Packaging Type	Reel
Termination Interface Style	Crimp or Compression

Wire Insulation Diameter	1.40mm max.
Wire Size (AWG)	22, 24, 26
Wire Size mm ²	N/A

Use with Part(s)

Description	Part Number
DuraClik Single Row Receptacle Housings	<u>502351</u>

Application Tooling

Global

Description	Part Number
FineAdjust Applicator for 2.00mm Pitch Wire-to-Board Crimp Receptacle Terminal and SMEC Crimp Receptacle Terminals, 22-26 AWG and AVSS 0.3 Wires	<u>2037021900</u>
PremiumGrade Hand Crimp Tool for Micro-Latch, DuraClik, and Servo Motor Encoder Female Terminals, 22-26 AWG	<u>0638235100</u>
T2 Terminator Die	<u>0638528000</u>
FineAdjust Applicator	<u>0638628000</u>

Application Tooling

Japan

Description	Part Number
Applicator for M211A Bench Press, 22-30 AWG Wire	<u>0571753000</u>
S-1 Applicator for DuraClik and Mi II Terminals, 22-26 AWG	<u>0571753710</u>