

## I/O module - AXL F AO8 1F - 2688080

Please be informed that the data shown in this PDF Document is generated from our Online Catalog. Please find the complete data in the user's documentation. Our General Terms of Use for Downloads are valid (<http://phoenixcontact.com/download>)



Axioline F, Analog output module, Analog outputs: 8, 0 V ... 5 V, -5 V ... 5 V, 0 V ... 10 V, -10 V ... 10 V, 0 mA ... 20 mA, 4 mA ... 20 mA, -20 mA ... 20 mA, Connection technology: 2-wire, Transmission speed in the local bus 100 Mbps, Degree of protection IP20, including bus base module and Axioline F connectors

### Product Description


The module is designed for use within an Axioline F station. It is used to output analog voltage and current signals.

### Why buy this product

- 8 analog, bipolar output channels for the connection of either voltage or current signals
- Connection of actuators in 2-wire technology
- Voltage ranges: 0 V ... 10 V, ±10 V, 0 V ... 5 V, ±5 V
- Current ranges: 0 mA ... 20 mA, 4 mA ... 20 mA, ±20 mA
- Short-circuit-proof outputs
- Device rating plate stored
- Diagnostic and status indicators
- 



### Key Commercial Data

Packing unit	1 STK
GTIN	 4 046356 501446
GTIN	4046356501446
Weight per Piece (excluding packing)	260.000 g
Weight per piece (including packing)	278.220 g
Custom tariff number	85389091
Country of origin	Germany
Sales Key	O1 - Automatisation Systems

### Technical data

#### Dimensions

Width	53.6 mm
-------	---------

# I/O module - AXL F AO8 1F - 2688080

## Technical data

### Dimensions

Height	126.1 mm
Depth	54 mm
Note on dimensions	The depth is valid when a TH 35-7.5 DIN rail is used (according to EN 60715).

### Ambient conditions

Ambient temperature (operation)	-25 °C ... 60 °C
Ambient temperature (storage/transport)	-40 °C ... 85 °C
Permissible humidity (operation)	5 % ... 95 % (non-condensing)
Permissible humidity (storage/transport)	5 % ... 95 % (non-condensing)
Air pressure (operation)	70 kPa ... 106 kPa (up to 3000 m above sea level)
Air pressure (storage/transport)	70 kPa ... 106 kPa (up to 3000 m above sea level)
Degree of protection	IP20

### Connection data

Designation	Axioline F connector
Connection method	Push-in connection
Note on connection method	Please observe the information provided on conductor cross sections in the "Axioline F: system and installation" user manual.
Conductor cross section solid min.	0.2 mm <sup>2</sup>
Conductor cross section solid max.	1.5 mm <sup>2</sup>
Conductor cross section flexible min.	0.2 mm <sup>2</sup>
Conductor cross section flexible max.	1.5 mm <sup>2</sup>
Conductor cross section AWG min.	24
Conductor cross section AWG max.	16
Stripping length	8 mm

### General

Mounting type	DIN rail
Net weight	260 g
Note on weight specifications	with connectors and bus base module

### Interfaces

Designation	Axioline F local bus
Connection method	Bus base module
Transmission speed	100 Mbps

### Axioline potentials

Communications power $U_{Bus}$	5 V DC (via bus base module)
Current consumption from $U_{Bus}$	typ. 105 mA
	max. 130 mA
Supply for analog modules $U_A$	24 V DC
Current consumption from $U_A$	typ. 50 mA (induced current consumption; no load, 0 V output)
	typ. 110 mA (8 voltage channels, 10 V output)

# I/O module - AXL F AO8 1F - 2688080

## Technical data

### Axioline potentials

	max. 235 mA (8 current channels, 20 mA output)
--	--

### Analog outputs

Number of outputs	8
Connection method	Push-in connection
Connection technology	2-wire
Note regarding the connection technology	Shielded, twisted pair
Output name	Analog outputs
D/A conversion time	5 µs
D/A resolution	16 bit
Type of protection	Short-circuit and overload protection
	Transient protection
Protective circuit/component	Electronic
	Suppressor diode
Data formats	IB IL, S7-compatible
Representation of output values	16 bits (15 bits + sign)
Process data update	300 µs
Current output signal	0 mA ... 20 mA
	4 mA ... 20 mA
	-20 mA ... 20 mA
Load/output load current output	to 500 Ω
Voltage output signal	0 V ... 5 V
	-5 V ... 5 V
	0 V ... 10 V
	-10 V ... 10 V
Load/output load voltage output	> 2 kΩ
Precision	typ. 0.1 % (of output range final value)
Permissible cable length	max. 250 m

### Electrical isolation

Test section	Logic 500 V AC 50 Hz 1 min.
	Analog I/O 500 V AC 50 Hz 1 min.
	Functional earth ground 500 V AC 50 Hz 1 min.

### Standards and Regulations

Mechanical tests	Vibration resistance in acc. with EN 60068-2-6/IEC 60068-2-6 5g
	Shock in acc. with EN 60068-2-27/IEC 60068-2-27 30g
	Continuous shock according to EN 60068-2-27/IEC 60068-2-27 10g
Protection class	III, IEC 61140, EN 61140, VDE 0140-1

### Environmental Product Compliance

China RoHS	Environmentally friendly use period: unlimited = EFUP-e
------------	---

# I/O module - AXL F AO8 1F - 2688080

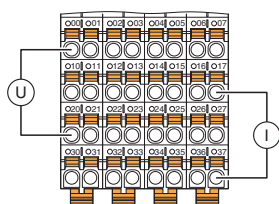
## Technical data

### Environmental Product Compliance

	No hazardous substances above threshold values
--	--

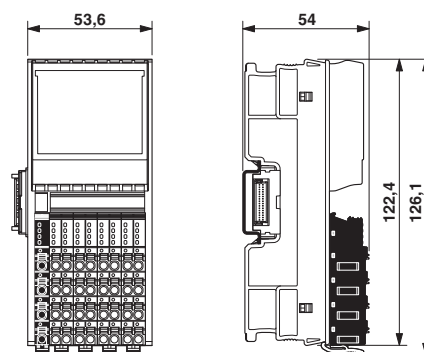
## Drawings

Connection diagram

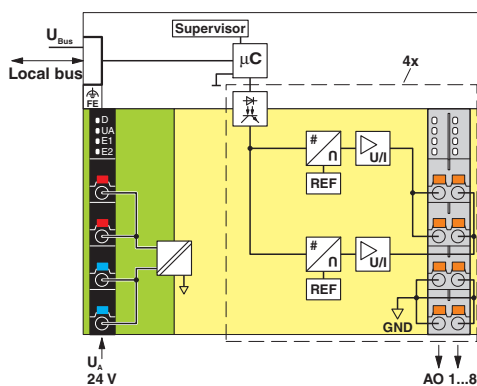


Connection for voltage and current output

Dimensional drawing



Block diagram



### Internal wiring of the terminal points

## Classifications

### eCl@ss

eCl@ss 4.0	27240405
eCl@ss 4.1	27240405
eCl@ss 5.0	27242201
eCl@ss 5.1	27242601
eCl@ss 6.0	27242601
eCl@ss 7.0	27242601
eCl@ss 8.0	27242601
eCl@ss 9.0	27242601

# I/O module - AXL F AO8 1F - 2688080

## Classifications

### ETIM

ETIM 3.0	EC001599
ETIM 4.0	EC001599
ETIM 5.0	EC001596
ETIM 6.0	EC001596

### UNSPSC

UNSPSC 6.01	43172015
UNSPSC 7.0901	43201404
UNSPSC 11	39121311
UNSPSC 12.01	39121311
UNSPSC 13.2	32151602

## Approvals

### Approvals

#### Approvals

UL Listed / cUL Listed / BSH / EAC / LR / BV / ABS / DNV GL / PRS / RINA / cULus Listed

#### Ex Approvals

### Approval details

UL Listed		<a href="http://database.ul.com/cgi-bin/XYV/template/LISEXT/1FRAME/index.htm">http://database.ul.com/cgi-bin/XYV/template/LISEXT/1FRAME/index.htm</a>	FILE E 238705
-----------	--	---	---------------

cUL Listed		<a href="http://database.ul.com/cgi-bin/XYV/template/LISEXT/1FRAME/index.htm">http://database.ul.com/cgi-bin/XYV/template/LISEXT/1FRAME/index.htm</a>	FILE E 238705
------------	--	---	---------------

BSH	<a href="http://www.bsh.de/de/index.jsp">http://www.bsh.de/de/index.jsp</a>	840
-----	---	-----

EAC		EAC-Zulassung
-----	--	---------------

LR		<a href="http://www.lr.org/en">http://www.lr.org/en</a>	14-20019
----	--	---	----------

# I/O module - AXL F AO8 1F - 2688080

## Approvals

BV		<a href="http://www.veristar.com/portal/veristarinfo/generalinfo/approved/approvedProducts/equipmentAndMaterials">http://www.veristar.com/portal/veristarinfo/generalinfo/approved/approvedProducts/equipmentAndMaterials</a>	36433/A2 BV
ABS		<a href="http://www.eagle.org/eagleExternalPortalWEB/">http://www.eagle.org/eagleExternalPortalWEB/</a>	16-HG1549537-PDA
DNV GL		<a href="http://exchange.dnv.com/tari/">http://exchange.dnv.com/tari/</a>	TAA00000DF
PRS		<a href="http://www.prs.pl/">http://www.prs.pl/</a>	TE/2106/880590/16
RINA		<a href="http://www.rina.org/en">http://www.rina.org/en</a>	ELE078216XG-001
cULus Listed		<a href="http://www.gl-group.com/newbuilding/approvals/index.html">http://www.gl-group.com/newbuilding/approvals/index.html</a>	

## Accessories

### Accessories

#### Connector set

Connector set - AXL CNS 4L-O/D/UA/E1/E2 - 2700984



Axioline F connector set (for e.g., AXL F AI8 1F, AXL F AO8 1F)

### Device marking

Insert label - EMT (35X46)R - 0801604



Insert label, for the Axioline F series from Phoenix Contact, Roll, white, unlabeled, can be labeled with: THERMOMARK ROLL, THERMOMARK ROLL X1, THERMOMARK ROLLMASTER 300/600, THERMOMARK X1.2, THERMOMARK S1.1, Mounting type: snapped into marker carrier, Lettering field: 35 x 46 mm

### DIN rail connector

## I/O module - AXL F AO8 1F - 2688080

### Accessories

Bus connector - AXL F BS F - 2688129



Axioline F bus base module for housing type F

---

### Mounting material

Shield connection - AXL SHIELD SET - 2700518



Axioline shield connection set (contains 2 busbar holders and 2 SK 5 shield connection clamps)

---

### Software library

Function block - SAFE AI - 2400057



Function block library for safety-related analog value acquisition with standard I/O modules. Please contact the safety hotline (+49 5281 9-462777) before ordering the SAFE AI article.

---

### Terminal marking

Zack marker strip - ZB 20,3 AXL UNPRINTED - 0829579



Zack marker strip for Axioline F (device labeling), in 2 x 20.3 mm pitch, unprinted, 25-section, for individual labeling with B-STIFT 0.8, X-PEN, or CMS-P1-PLOTTER

---

Zack Marker strip, flat - ZBF 10/5,8 AXL UNPRINTED - 0829580



Zack marker strip, flat, in 10 mm pitch, unprinted, 10-section, for individual labeling with M-PEN 0,8, X-PEN, or CMS-P1-PLOTTER

---

