

Special function module - AXL F PM EF 1F - 2702671

Please be informed that the data shown in this PDF Document is generated from our Online Catalog. Please find the complete data in the user's documentation. Our General Terms of Use for Downloads are valid (<http://phoenixcontact.com/download>)



Axioline F, power measurement module, input voltage: up to 400 V AC (phase/neutral) or 690 V AC (phase/phase), input current: up to 5 A AC, transmission speed in local bus: 100 Mbps, degree of protection: IP20 , including bus base module and Axioline F connectors

Product Description

The module is designed for use within an Axioline F station.

The power measurement module is used for direct measurement of AC currents up to 5 A, including neutral conductor current and phase conductor voltages up to 400 V AC (phase to neutral conductor) or outer conductor voltages up to 690 V AC (phase to phase).

The module is used to perform analysis of AC networks. You can use it in distribution systems for measuring current, voltage, and power, as well as detecting distortion and harmonics.

You can use the power measurement module in two operating modes.

In "R.m.s. Values" mode, the module acquires mains variables in three-phase mains. Mains variables are phase currents, neutral conductor current, phase and outer conductor voltages, real power, reactive power, and apparent power as well as the power factors of phases, energy flow directions, and frequency.

In "Instantaneous Values" mode, the module acquires the instantaneous (scanning) values of a measuring signal. This measuring mode is used to analyze the waveform of the measuring signal.

Your advantages

- ✓ 4 inputs, 0 A AC ... 5 A AC for phase currents and neutral conductor current
- ✓ 3 inputs for outer conductor voltages up to 690 V AC, supports direct connection
- ✓ Harmonics analysis
- ✓ Determination of maximum values
- ✓ Power meter
- ✓ Process data update < 500 µs

Key Commercial Data

Packing unit	1 pc
GTIN	
GTIN	4055626364940
Weight per Piece (excluding packing)	222.000 g
Weight per piece (including packing)	293.900 g
Custom tariff number	85389091
Country of origin	Germany
Sales Key	O1 - Automatation Systems

Technical data

Note

Special function module - AXL F PM EF 1F - 2702671

Technical data

Note

Utilization restriction	EMC: class A product, see manufacturer's declaration in the download area
-------------------------	---

Dimensions

Width	53.6 mm
Height	126.1 mm
Depth	65.5 mm
Note on dimensions	The depth is valid when a TH 35-7,5 DIN rail is used (according to EN 60715).

Ambient conditions

Ambient temperature (operation)	-25 °C ... 60 °C
Ambient temperature (storage/transport)	-40 °C ... 85 °C
Permissible humidity (operation)	5 % ... 95 % (non-condensing)
Permissible humidity (storage/transport)	5 % ... 95 % (non-condensing)
Air pressure (operation)	70 kPa ... 106 kPa (up to 2000 m above sea level)
Air pressure (storage/transport)	70 kPa ... 106 kPa (up to 3000 m above sea level)
Degree of protection	IP20

General

Mounting type	DIN rail
Net weight	222 g
Note on weight specifications	with connectors and bus base module
Operating mode	Process data mode with 32 words

Interfaces

Designation	Axiline F local bus
No. of channels	2
Connection method	Bus base module
Transmission speed	100 Mbps

Axiline potentials

Designation	Axiline F local bus supply (U_{Bus})
Supply voltage	5 V DC (via bus base module)
Current consumption	typ. 73 mA
	max. 80 mA
Power consumption	typ. 365 mW
	max. 400 mW

Standards and Regulations

Mechanical tests	Vibration resistance in acc. with EN 60068-2-6/IEC 60068-2-6 5g
	Shock in acc. with EN 60068-2-27/IEC 60068-2-27 30g
	Continuous shock according to EN 60068-2-27/IEC 60068-2-27 10g
Protection class	II

Special function module - AXL F PM EF 1F - 2702671

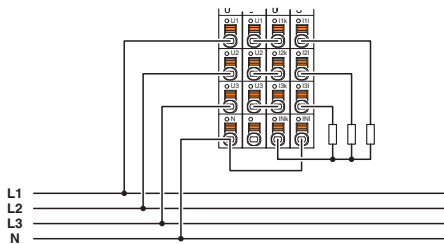
Technical data

Environmental Product Compliance

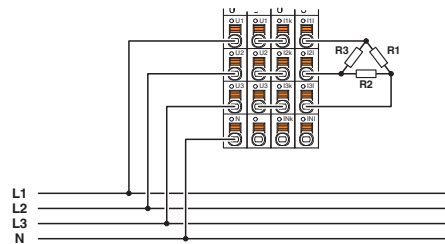
China RoHS	Environmentally friendly use period: unlimited = EFUP-e
	No hazardous substances above threshold values

Drawings

Connection diagram

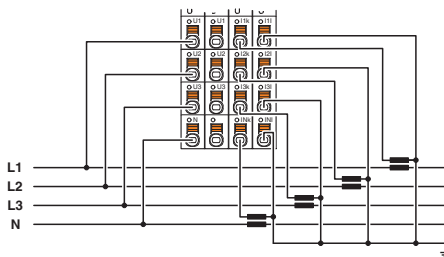


Connection diagram



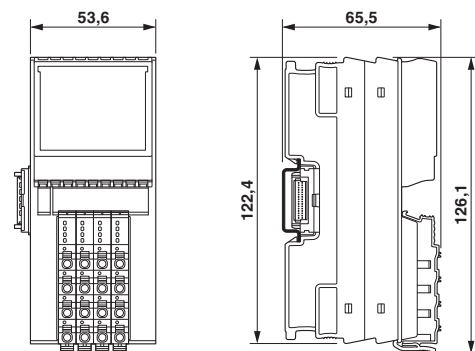
Connection of a 3-phase load for power measurement in star connection with neutral conductor current Connection of a 3-phase load for power measurement in delta circuit

Connection diagram



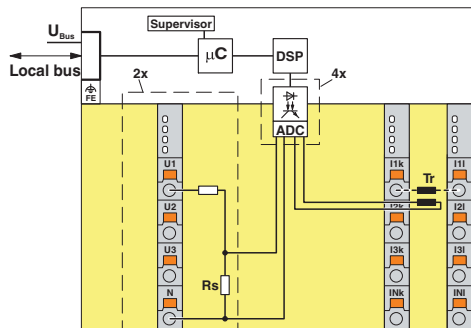
Connection of a 4-conductor network with current transformers

Dimensional drawing



Special function module - AXL F PM EF 1F - 2702671

Block diagram



Internal wiring of the terminal points

Classifications

eCl@ss

eCl@ss 6.0	27242600
eCl@ss 7.0	27242605
eCl@ss 8.0	27242605
eCl@ss 9.0	27242605

ETIM

ETIM 5.0	EC001601
ETIM 6.0	EC001601

Approvals

Approvals

Approvals

UL Listed / cUL Listed / cULus Listed

Ex Approvals

Approval details

UL Listed		http://database.ul.com/cgi-bin/XYV/template/LISEXT/1FRAME/index.htm	FILE E 357804
-----------	--	---	---------------

Special function module - AXL F PM EF 1F - 2702671

Approvals

cUL Listed		http://database.ul.com/cgi-bin/XYV/template/LISEXT/1FRAME/index.htm	FILE E 357804
------------	--	---	---------------

cULus Listed			
--------------	--	--	--

Accessories

Accessories

Device marking

Insert label - EMT (35X46)R - 0801604



Insert label, for the Axioline F series from Phoenix Contact. Roll, white, unlabeled, can be labeled with: THERMOMARK ROLLMASTER 300/600, THERMOMARK X1.2, THERMOMARK ROLL X1, THERMOMARK ROLL 2.0, THERMOMARK ROLL, mounting type: snapped into marker carrier, lettering field size: 35 x 46 mm

DIN rail connector

Bus connector - AXL F BS F - 2688129



Axioline F bus base module for housing type F

Terminal marking

Zack marker strip - ZB 20,3 AXL UNPRINTED - 0829579



Zack marker strip for Axioline F (device labeling), in 2 x 20.3 mm pitch, unprinted, 25-section, for individual labeling with B-STIFT 0.8, X-PEN, or CMS-P1-PLOTTER

Special function module - AXL F PM EF 1F - 2702671

Accessories

Zack Marker strip, flat - ZBF 7,5:UNBEDRUCKT - 0809942



Zack Marker strip, flat, Strip, white, unlabeled, can be labeled with: PLOTMARK, CMS-P1-PLOTTER, mounting type: snap into flat marker groove, for terminal block width: 7.5 mm, lettering field size: 5.15 x 7.4 mm

Phoenix Contact 2018 © - all rights reserved
<http://www.phoenixcontact.com>