

AB/SS-M - Support bracket

3025888

<https://www.phoenixcontact.com/de/produkte/3025888>



Please be informed that the data shown in this PDF document is generated from our online catalog. Please find the complete data in the user documentation. Our general terms of use for downloads are valid.



Support bracket made from insulation material, with retaining screw, can be used for 3 x 10 mm busbar, color: gray

Commercial data

Item number	3025888
Packing unit	10 pc
Minimum order quantity	1 pc
Sales key	B1 - Markierung Montage
Product key	BE7113
Catalog page	Page 574 (C-3-2019)
GTIN	4017918147549
Weight per piece (including packing)	9,61 g
Weight per piece (excluding packing)	9,49 g
Customs tariff number	39269097
Country of origin	PL

AB/SS-M - Support bracket

3025888

<https://www.phoenixcontact.com/de/produkte/3025888>



Technical data

Product properties

Product type	Support
Number of positions	1.00

Electrical properties

Nominal current I_N	0 A
-----------------------	-----

Dimensions

Dimensional drawing	
Width	19.4 mm
Height	23.4 mm
Depth	21.7 mm
Length	23.4 mm
Diameter	4.7 mm

Material specifications

Color	gray
Material	PA
Flammability rating according to UL 94	V0
Components	free from silicone and halogen

Environmental and real-life conditions

Ambient conditions

Ambient temperature (operation)	-60 °C ... 105 °C (max. short-term operating temperature RTI Elec.)
Ambient temperature (storage/transport)	-25 °C ... 60 °C (for a short time, not exceeding 24 h, -60 °C to +70 °C)
Ambient temperature (assembly)	-5 °C ... 70 °C
Ambient temperature (actuation)	-5 °C ... 70 °C
Permissible humidity (storage/transport)	30 % ... 70 %

Mounting

Mounting type	Direct mounting
---------------	-----------------

AB/SS-M - Support bracket

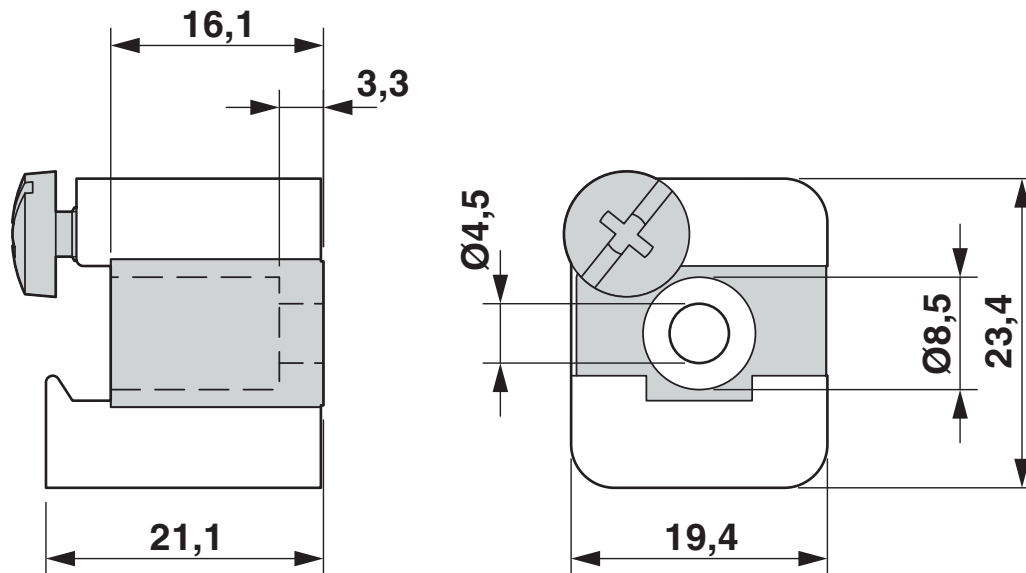
3025888

<https://www.phoenixcontact.com/de/produkte/3025888>



Drawings

Dimensional drawing



AB/SS-M - Support bracket

3025888

<https://www.phoenixcontact.com/de/produkte/3025888>



Classifications

ECLASS

ECLASS-11.0	27400607
ECLASS-12.0	27400607
ECLASS-13.0	27400607

ETIM

ETIM 8.0	EC001166
----------	----------

UNSPSC

UNSPSC 21.0	39121700
-------------	----------

AB/SS-M - Support bracket

3025888

<https://www.phoenixcontact.com/de/produkte/3025888>



Environmental product compliance

China RoHS	Environmentally friendly use period: unlimited = EFUP-e No hazardous substances above threshold values
------------	---

Phoenix Contact 2023 © - all rights reserved
<https://www.phoenixcontact.com>

PHOENIX CONTACT Deutschland GmbH
Flachmarktstraße 8
D-32825 Blomberg
+49 52 35/3-1 20 00
info@phoenixcontact.de