


AP 3-TU

Order No.: 5022656



<http://catalog.phoenixcontact.net/phoenix/treeViewClick.do?UID=5022656>

Cover profile carrier for mounting on NS 32 or NS 35/7.5 DIN rail for
attaching the cover profile AP 3.2 mm thick

Commercial data	
EAN	 4 017918 095253
sales group	B232
Pack	50 Pcs.
Customs tariff	85389099
Gross weight in pieces	0.009444 KG
Net weight per piece	0.009371 KG
Catalog page information	Page 351 (CL2-2011)

Product notes

WEEE/RoHS-compliant since:
01/01/2003



<http://www.download.phoenixcontact.com>
Please note that the data given here has been taken from the online catalog. For comprehensive information and data, please refer to the user documentation. The General Terms and Conditions of Use apply to Internet downloads.

Technical data	
General	
Length (b)	89 mm
Height	80 mm
Width (a)	2.1 mm
Color	gray
Inflammability class according to UL 94	V2
Material	PA

Certificates / Approvals

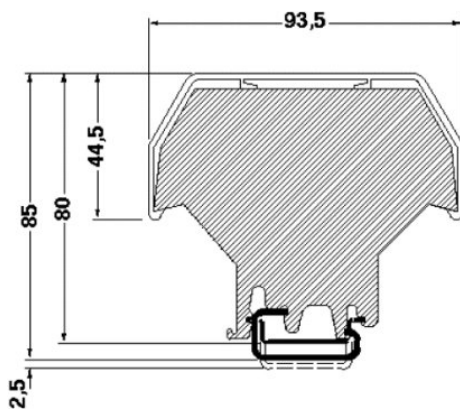
Certification

Certifications applied for:

Certification Ex:

Drawings

Dimensioned drawing



Address

PHOENIX CONTACT Deutschland GmbH
Flachmarktstr. 8
32825 Blomberg, Germany
Phone +49 5235 3 12000
Fax +49 5235 3 41200
<http://www.phoenixcontact.de>



© 2012 Phoenix Contact
Technical modifications reserved;