

Cable routing system - CGSA 50 - 3071401

Please be informed that the data shown in this PDF Document is generated from our Online Catalog. Please find the complete data in the user's documentation. Our General Terms of Use for Downloads are valid (<http://phoenixcontact.com/download>)

Cable routing system, with swivel joint for opening, length: 218 mm, width: 68 mm, height: 140.5 mm, diameter: 42 mm, color: gray



Why buy this product

- ✓ Route pre-assembled cables and conductors easily, thanks to the patent-pending swivel joint
- ✓ Subsequent wiring is easy, thanks to swivel joint openings that can be operated without tools
- ✓ Mechanical cable protection and bundling, thanks to protective covers that can be attached without tools
- ✓ Integrated flanges with strain relief make assembly quick and easy
- ✓ Easily plan cable harnesses: the cable length is predefined through the swivel arm
- ✓ Cable routing for the control cabinet door can be planned in the CAD system, thanks to the defined installation space and swivel range
- ✓ High-grade elastic and mechanically resilient plastic, certified according to UL 94 for flammability rating: V0



Key Commercial Data

Packing unit	1 STK
GTIN	 4 055626 289175
GTIN	4055626289175
Weight per Piece (excluding packing)	429.700 g
Custom tariff number	39259020
Country of origin	Poland

Technical data

General

Note	Cable binders can be used up to a width of 4 mm and from a length of 40 mm
Color	gray
Material	PC
Flammability rating according to UL 94	V0
Number of cables	100 for 1.5 mm ²
Cable feed-through	Cables can be pulled through at an angle between 120° and 180°.

Cable routing system - CGSA 50 - 3071401

Technical data

General

Components	halogen-free
Result of thermal test	Test passed
Proof of thermal characteristics (needle flame) effective duration	30 s
Relative insulation material temperature index (Elec., UL 746 B)	130 °C
Static insulating material application in cold	-40 °C
Fire protection for rail vehicles (DIN EN 45545-2) R22	HL 1 - HL 3
Fire protection for rail vehicles (DIN EN 45545-2) R23	HL 1 - HL 3
Fire protection for rail vehicles (DIN EN 45545-2) R24	HL 1 - HL 3

Dimensions

Width	68 mm
Length	218 mm
Height	140.5 mm
Diameter	42 mm
Hole diameter	5.5 mm
Marking field	36,8 x 27,2 mm
Cable length	700 mm ... 460 mm

Standards and Regulations

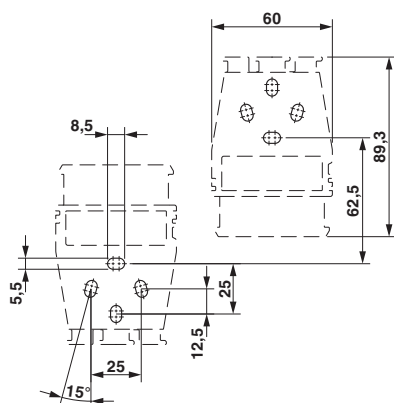
Flammability rating according to UL 94	V0
Fire protection for rail vehicles (DIN EN 45545-2) R22	HL 1 - HL 3 HL 1 - HL 3 HL 1 - HL 3
Fire protection for rail vehicles (DIN EN 45545-2) R23	HL 1 - HL 3 HL 1 - HL 3 HL 1 - HL 3
Fire protection for rail vehicles (DIN EN 45545-2) R24	HL 1 - HL 3 HL 1 - HL 3 HL 1 - HL 3
Fire protection for rail vehicles (DIN EN 45545-2) R26	HL 1 - HL 3 HL 1 - HL 3 HL 1 - HL 3

Environmental Product Compliance

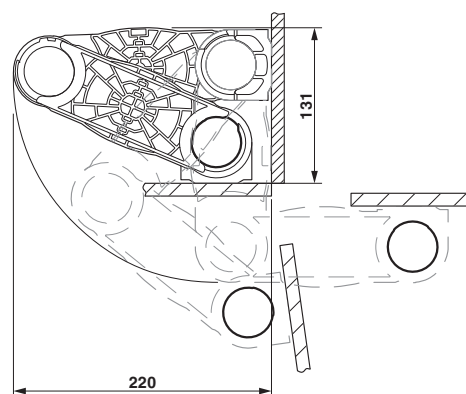
China RoHS	Environmentally friendly use period: unlimited = EFUP-e
	No hazardous substances above threshold values

Drawings

Dimensional drawing

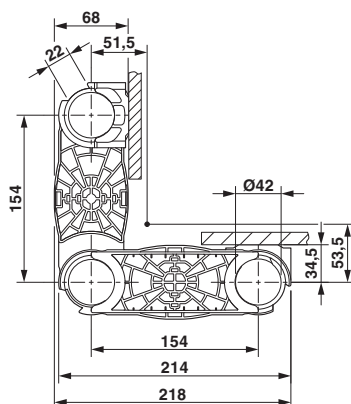


Dimensional drawing

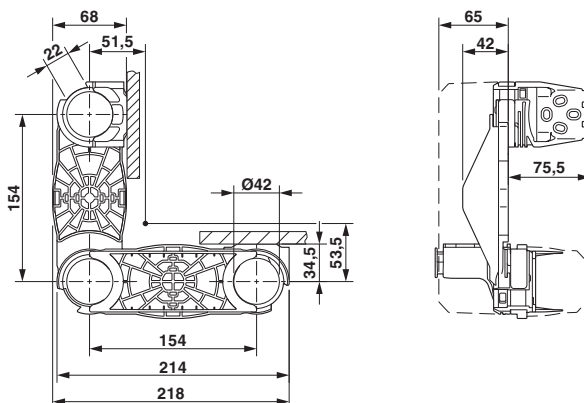


Cable routing system - CGSA 50 - 3071401

Dimensional drawing



Dimensional drawing



Classifications

eCl@ss

eCl@ss 4.0	27140602
eCl@ss 4.1	27140602
eCl@ss 5.0	27140602
eCl@ss 5.1	27140602
eCl@ss 6.0	27400703
eCl@ss 7.0	27400703
eCl@ss 8.0	27189261
eCl@ss 9.0	27189261

ETIM

ETIM 2.0	EC000012
ETIM 3.0	EC000012
ETIM 4.0	EC000012
ETIM 5.0	EC002620
ETIM 6.0	EC002620

Cable routing system - CGSA 50 - 3071401

Classifications

UNSPSC

UNSPSC 6.01	30101815
UNSPSC 7.0901	30101815
UNSPSC 11	30101815
UNSPSC 12.01	30101815
UNSPSC 13.2	30101815

Approvals

Approvals

Approvals

VDE approval of drawings

Ex Approvals

Approval details

VDE approval of drawings		http://www.vde.com/en/Institute/OnlineService/VDE-approved-products/Pages/Online-Search.aspx	40047466
--------------------------	--	---	----------

Accessories

Accessories

Cable tie

Cable tie - WT-HF 3,6X140 - 3240744



Cable binders for quick and secure bundling, standard version

Cable tie - WT-HF 3,6X140 BK - 3240745



Cable binders for quick and secure bundling, standard version

Cable routing system - CGSA 50 - 3071401

Accessories

Cable tie - WT-HF 3,6X200 - 3240748



Cable binders for quick and secure bundling, standard version

Cable tie - WT-HF 3,6X200 BK - 3240749



Cable binders for quick and secure bundling, standard version

Cable tie - WT-HF 3,6X290 - 3240752



Cable binders for quick and secure bundling, standard version

Cable tie - WT-HF 3,6X290 BK - 3240753



Cable binders for quick and secure bundling, standard version

Cover profile

Cover - CGS-AH 50 SET - 3071410



Cover, packed in pairs, length: 214 mm, width: 63 mm, height: 54.5 mm, color: gray
