

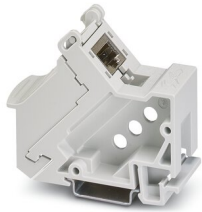
DIN rail adapter - CUC-PP-D1PGY/R4IDC8



1419024

<https://www.phoenixcontact.com/de/produkte/1419024>

Please be informed that the data shown in this PDF document is generated from our Online Catalog. Please find the complete data in the user documentation. Our General Terms of Use for Downloads are valid.



DIN rail adapter, type: RJ45, degree of protection: IP20, number of positions: 8, 10 Gbps, CAT6_A, material: PC-GF, connection method: IDC connection, connection cross section: AWG 26- 22, color: gray

Product Description

DIN rail adapter with RJ45 module for the connection and distribution of Ethernet cables

Your advantages

- DIN rail mounting
- assembly without special tools
- Individual marking field
- 10 Gbps
- Security elements available as accessories
- Optional overall shielding braid for copper modules
- Front-release modules

DIN rail adapter - CUC-PP-D1PGY/R4IDC8



1419024

<https://www.phoenixcontact.com/de/produkte/1419024>

Commercial Data

Item number	1419024
Packing unit	1 pc
Minimum order quantity	1 pc
Sales Key	D1 - Steckverbinder
Product Key	ABNAHA
Catalog Page	Page 375 (C-2-2019)
GTIN	4055626251462
Weight per Piece (including packing)	61,3 g
Weight per Piece (excluding packing)	59,5 g
Customs tariff number	85366990
Country of origin	CH

DIN rail adapter - CUC-PP-D1PGY/R4IDC8

1419024

<https://www.phoenixcontact.com/de/produkte/1419024>

Technical Data

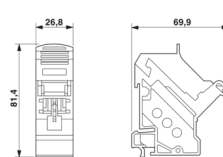
Product properties

Type	Rail-mountable module
Product type	Patch panel
Number of positions	8
Connection profile	RJ45
Number of slots	1
Housing type	DIN rail adapter

Electrical properties

Rated voltage (III/3)	72 V (DC)
Frequency range	500 MHz
Insulation resistance	> 500 M Ω (100 V DC)
Nominal voltage U_N	72 V (DC)
Nominal current I_N	1.5 A

Dimensions

Dimensional drawing	
Width	26.8 mm
Height	71 mm
Length	81.4 mm

Material specifications

Color	gray
Flammability rating according to UL 94	V0
Contact material	CuSn
Contact surface material	Gold over nickel
Contact carrier material	Die-cast zinc alloy
Material, protective cover	PC
Housing material	PC-GF

Connector

Insertion/withdrawal cycles	≥ 750
-----------------------------	------------

Cable / line

Cable structure

External cable diameter	4.5 mm ... 9 mm
Wire diameter	0.4 mm ... 0.65 mm

DIN rail adapter - CUC-PP-D1PGY/R4IDC8



1419024

<https://www.phoenixcontact.com/de/produkte/1419024>

Wire diameter including insulation	0.8 mm ... 1.6 mm
------------------------------------	-------------------

Environmental and real-life conditions

Ambient conditions

Degree of protection	IP20
Degree of protection	IP20
Ambient temperature (operation)	-25 °C ... 70 °C
Ambient temperature (storage/transport)	-40 °C ... 70 °C

Mounting

Mounting type	DIN rail mounting
---------------	-------------------

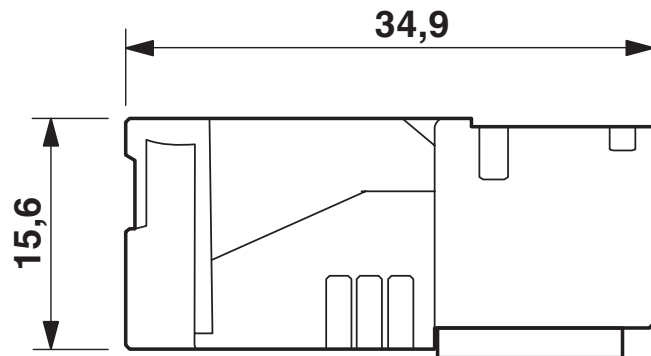
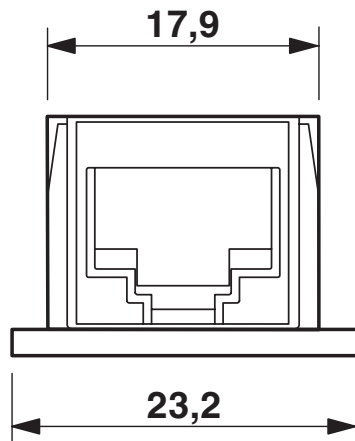
DIN rail adapter - CUC-PP-D1PGY/R4IDC8

1419024

<https://www.phoenixcontact.com/de/produkte/1419024>

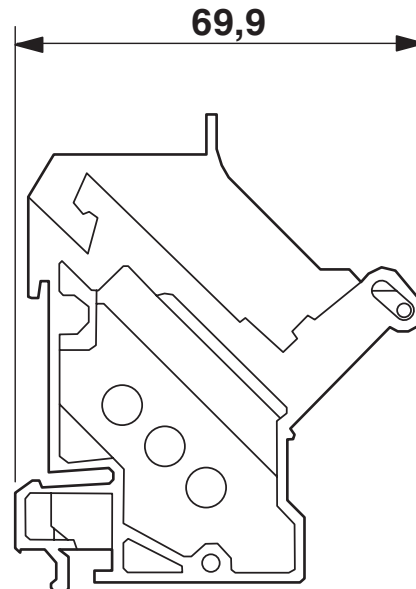
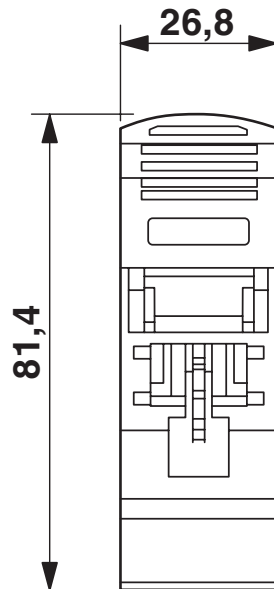
Drawings

Dimensional drawing



RJ45 socket insert, Freenet system

Dimensional drawing



RJ45 patch panel

DIN rail adapter - CUC-PP-D1PGY/R4IDC8



1419024

<https://www.phoenixcontact.com/de/produkte/1419024>

Classifications

ECLASS

ECLASS-9.0

27060308

ETIM

ETIM 7.0

EC001262

UNSPSC

UNSPSC 21.0

26121604

DIN rail adapter - CUC-PP-D1PGY/R4IDC8



1419024

<https://www.phoenixcontact.com/de/produkte/1419024>

Environmental Product Compliance

China RoHS	Environmentally friendly use period: unlimited = EFUP-e
	No hazardous substances above threshold values

DIN rail adapter - CUC-PP-D1PGY/R4IDC8

1419024

<https://www.phoenixcontact.com/de/produkte/1419024>

Accessories

Plug Guard Security Frame

Plug Guard Security Frame - FL PLUG GUARD GN - 2891615

<https://www.phoenixcontact.com/de/produkte/2891615>

Security frame for SFN switch and patch fields, green



Plug Guard Security Frame

Plug Guard Security Frame - FL PLUG GUARD RD - 2891712

<https://www.phoenixcontact.com/de/produkte/2891712>

Security frame for SFN switch and patch fields, red



DIN rail adapter - CUC-PP-D1PGY/R4IDC8

1419024

<https://www.phoenixcontact.com/de/produkte/1419024>

Plug Guard Security Frame

Plug Guard Security Frame - FL PLUG GUARD WH - 2891819

<https://www.phoenixcontact.com/de/produkte/2891819>

Security frame for SFN switch and patch fields, white



DIN rail adapter

DIN rail adapter - NBC-PP-J1PGY-S/R4IDC8 - 1100077

<https://www.phoenixcontact.com/de/produkte/1100077>



DIN rail adapter, degree of protection: IP20, number of positions: 8, 10 Gbps, CAT6_A, material: PC-GF10, connection method: IDC connection, connection cross section: AWG 26- 22, Item set, DIN rail adapter including RJ45 cable connection module

DIN rail adapter - CUC-PP-D1PGY/R4IDC8

1419024

<https://www.phoenixcontact.com/de/produkte/1419024>

DIN rail adapter

DIN rail adapter - NBC-PP-G1PGY - 1041740

<https://www.phoenixcontact.com/de/produkte/1041740>



DIN rail adapter, type: Headers with shielding, degree of protection: IP20, material: PC-GF10, without assembled modules

DIN rail adapter

DIN rail adapter - FL DIN RA - 2891053

<https://www.phoenixcontact.com/de/produkte/2891053>



The FL DIN RA is installed in a standard, 19-inch rack (EIA-310-D, IEC 60297-3-100) to allow DIN rail mounted equipment to be rack mounted.

DIN rail adapter - CUC-PP-D1PGY/R4IDC8

1419024

<https://www.phoenixcontact.com/de/produkte/1419024>

Network cable

Network cable - VS-OE-OE-93B-100,0 - 1416389

<https://www.phoenixcontact.com/de/produkte/1416389>



Network cable, PROFINET CAT5 (100 Mbps), 4-position, shielded, free cable end, on free cable end, cable length: 100 m

Network cable

Network cable - VS-OE-OE-94B-100,0 - 1416567

<https://www.phoenixcontact.com/de/produkte/1416567>



Network cable, Ethernet CAT5 (1 Gbps), 8-position halogen-free, shielded, free cable end, on free cable end, cable length: 100 m

DIN rail adapter - CUC-PP-D1PGY/R4IDC8

1419024

<https://www.phoenixcontact.com/de/produkte/1419024>

Network cable

Network cable - VS-OE-OE-94F/... - 1417359

<https://www.phoenixcontact.com/de/produkte/1417359>



Network cable, Ethernet CAT6_A (10 Gbps), 8-position halogen-free, shielded, free cable end, on free cable end, cable length: Free entry (0.5 ... 400 m)

Locking element

Locking element - FL PORT GUARD - 2891220

<https://www.phoenixcontact.com/de/produkte/2891220>



Locking element and key for security frame

DIN rail adapter - CUC-PP-D1PGY/R4IDC8



1419024

<https://www.phoenixcontact.com/de/produkte/1419024>

Diagonal cutter

Diagonal cutter - MICROFOX-SP-1 - 1212487

<https://www.phoenixcontact.com/de/produkte/1212487>



Electronic diagonal cutter, tapered head, without chamfer, with opening spring, non-reflective phosphate-treated surface, punched version

Stripping tool

Stripping tool - VS-CABLE-STRIP-VARIO - 1657407

<https://www.phoenixcontact.com/de/produkte/1657407>

Stripping tool, for the multi-level stripping of shielded cables



DIN rail adapter - CUC-PP-D1PGY/R4IDC8

1419024

<https://www.phoenixcontact.com/de/produkte/1419024>

DIN rail perforated

DIN rail perforated - NS 35/ 7,5 PERF 1155MM - 1207666

<https://www.phoenixcontact.com/de/produkte/1207666>

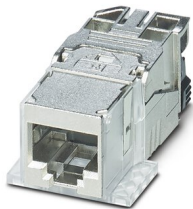


DIN rail perforated, acc. to EN 60715, material: Steel, galvanized, passivated with a thick layer, Standard profile, color: silver

RJ45 socket insert

RJ45 socket insert - CUC-F-J1ZNI-S/R4IDC8 - 1418984

<https://www.phoenixcontact.com/de/produkte/1418984>



RJ45 socket insert, type: RJ45, degree of protection: IP20, number of positions: 8, 10 Gbps, CAT6_A, material: Zinc die-cast, connection method: IDC connection, connection cross section: AWG 26- 22, Freenet design for use with IP67 panel mounting frame and terminal outlets

DIN rail adapter - CUC-PP-D1PGY/R4IDC8

1419024

<https://www.phoenixcontact.com/de/produkte/1419024>



Key

Key - FL PLUG GUARD KEY - 2891327

<https://www.phoenixcontact.com/de/produkte/2891327>

Key for security frame, SFN switch and patch fields



Phoenix Contact 2022 © - all rights reserved
<https://www.phoenixcontact.com>

PHOENIX CONTACT Deutschland GmbH
Flachmarktstraße 8
D-32825 Blomberg
+49 52 35/3-1 20 00
info@phoenixcontact.de