

Surge protection device - D-FM-A/RJ45-BB - 2818795


Please be informed that the data shown in this PDF Document is generated from our Online Catalog. Please find the complete data in the user's documentation. Our General Terms of Use for Downloads are valid (<http://download.phoenixcontact.com>)



Attachment connector with surge protection for analog telecommunication interfaces. Connection: RJ45 sockets



Key commercial data

Packing unit	1 pc
GTIN	 4 017918 161927
Weight per Piece (excluding packing)	109.0 g
Weight per piece (including packing)	122.3 g
Custom tariff number	85363010
Country of origin	Germany
Sales Key	K1 - Overvoltage Protect.

Technical data

Dimensions

Height	25.4 mm
Width	25.4 mm
Depth	102 mm

Ambient conditions

Ambient temperature (operation)	-25 °C ... 85 °C
Degree of protection	IP20

General

Housing material	Aluminum
Color	black
Mounting type	Connection-specific intermediate plugging
Type	Attachment plug
Direction of action	Line-Line & Line-Earth Ground

Protective circuit

Surge protection device - D-FM-A/RJ45-BB - 2818795

Technical data

Protective circuit

IEC test classification	C2
	C3
VDE requirement class	C2
	C3
Maximum continuous voltage U_C (wire-ground)	185 V DC
Nominal current I_N	150 mA
Operating effective current I_C at U_C	$\leq 10 \mu\text{A}$
Residual current I_{PE}	$\leq 1 \mu\text{A}$
Nominal discharge current I_n (8/20) μs (Core-Earth)	2.5 kA
Output voltage limitation at 1 kV/ μs (Core-Core) spike	$\leq 300 \text{ V}$
Output voltage limitation at 1 kV/ μs (Core-Earth) spike	$\leq 1.4 \text{ kV}$
Output voltage limitation at 1 kV/ μs (Core-Core) static	$\leq 300 \text{ V}$
Output voltage limitation at 1 kV/ μs (Core-Earth) static	$\leq 1.4 \text{ kV}$
Residual voltage at I_n , (conductor-conductor)	$\leq 50 \text{ V}$
Residual voltage at I_n , (conductor-ground)	$\leq 150 \text{ V}$
Voltage protection level U_p (Core-Core)	$\leq 300 \text{ V}$
Voltage protection level U_p (Core-Earth)	$\leq 1.4 \text{ kV}$
Response time t_A (Core-Core)	$\leq 10 \text{ ns}$
Response time t_A (Core-Earth)	$\leq 100 \text{ ns}$
Inductivity in series	39 $\mu\text{H} \pm 10 \%$
Resistance in series	1 Ω
Short-circuit current self-quenching	150 mA

Connection data

Connection method	RJ45
Connection type IN	RJ45 socket
Connection type OUT	RJ45 socket

Standards and Regulations

Standards/regulations	Draft IEC 64644-1
	E VDE 0845-3-1

Classifications

eCl@ss

eCl@ss 4.0	27140201
eCl@ss 4.1	27130801
eCl@ss 5.0	27130801
eCl@ss 5.1	27130801
eCl@ss 6.0	27130807
eCl@ss 7.0	27130807

Surge protection device - D-FM-A/RJ45-BB - 2818795

Classifications

eCl@ss

eCl@ss 8.0	27130807
------------	----------

ETIM

ETIM 2.0	EC000943
ETIM 3.0	EC000943
ETIM 4.0	EC000943
ETIM 5.0	EC000943

UNSPSC

UNSPSC 6.01	30212010
UNSPSC 7.0901	39121610
UNSPSC 11	39121610
UNSPSC 12.01	39121610
UNSPSC 13.2	39121620

Approvals

Approvals

Approvals

GOST / GOST

Ex Approvals

Approvals submitted

Approval details

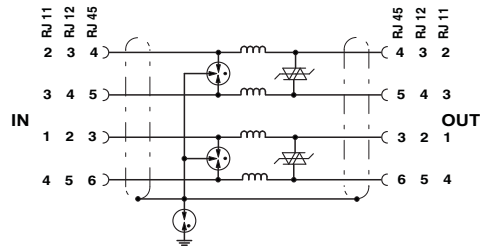
GOST

GOST

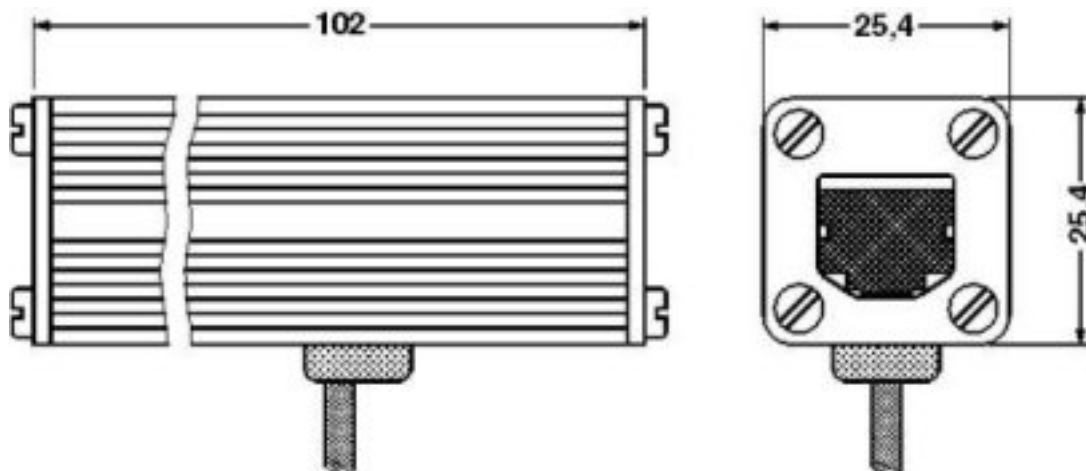
Drawings

Surge protection device - D-FM-A/RJ45-BB - 2818795

Circuit diagram



Dimensioned drawing



Surge protection device - D-FM-A/RJ45-BB - 2818795

Schematic diagram

