

## D-UFB-PB


Order No.: 2880642



<http://catalog.phoenixcontact.net/phoenix/treeViewClick.do?UID=2880642>

Fine surge protection in a 9-pos. D-SUB connector for PROFIBUS-DP applications with a transmission speed of up to 12 Mbps.



Commercial data	
EAN	 4 046356 048989
sales group	J400
Pack	1 Pcs.
Customs tariff	85363010
Gross weight in pieces	0.049 KG
Net weight per piece	0.049 KG
Catalog page information	Page 151 (TT-2011)

### Product notes

WEEE/RoHS-compliant since:  
03/21/2007



<http://www.download.phoenixcontact.com>  
Please note that the data given here has been taken from the online catalog. For comprehensive information and data, please refer to the user documentation. The General Terms and Conditions of Use apply to Internet downloads.

Technical data	
<b>General</b>	
Housing material	ABS, metal-plated
Color	silver
Standards for air and creepage distances	IEC 60664-1
	DIN VDE 0110-1
Surge voltage category	II

Pollution degree	2
Total surge current (8/20) $\mu$ s	350 A
Ambient temperature (operation)	-20 °C ... 75 °C
Ambient temperature (storage/transport)	-20 °C ... 75 °C
Mounting type	Direct assembly on the device interface
Design	Connecting plug
Number of positions	4
Degree of protection	IP40
Direction of action	Line-Line & Line-Earth Ground
Width	44.5 mm
Height	58 mm
Depth	16.6 mm
<b>Protective circuit</b>	
IEC category	C1
	C3
	B2
VDE requirement class	C1
	C3
	B2
Maximum continuous operating voltage $U_c$	5.2 V DC
Maximum continuous voltage $U_C$ (wire-wire)	5.2 V DC
Maximum continuous voltage $U_c$ (wire-ground)	5.2 V DC
Nominal current $I_N$	250 mA (25°C)
Operating effective current $I_c$ at $U_c$	$\leq 100 \mu$ A
Ground conductor current $I_{PE}$	$\leq 100 \mu$ A
Nominal discharge surge current $I_n$ (8/20) $\mu$ s (Core-Core)	350 A
Nominal discharge surge current $I_n$ (8/20) $\mu$ s (Core-Earth)	350 A
Total surge current (8/20) $\mu$ s	350 A
Max. discharge surge current $I_{max}$ (8/20) $\mu$ s maximum (Core-Core)	350 A
Max. discharge surge current $I_{max}$ (8/20) $\mu$ s maximum (Core-Earth)	350 A
Output voltage limitation at 1 kV/ $\mu$ s (Core-Core) spike	$\leq 20$ V

Output voltage limitation at 1 kV/ $\mu$ s (Core-Earth) spike	$\leq 20$ V
Output voltage limitation at 1 kV/ $\mu$ s (Core-Core) static	$\leq 14$ V
Output voltage limitation at 1 kV/ $\mu$ s (Core-Earth) static	$\leq 14$ V
Output voltage limitation (10/700) $\mu$ s (Core-Core)	$\leq 15$ V ( $U_0=4$ kV)
Output voltage limitation (10/700) $\mu$ s (Core-Earth)	$\leq 15$ V ( $U_0=4$ kV)
Residual voltage at $I_n$ , (conductor-conductor)	$\leq 25$ V
Residual voltage at $I_n$ , (conductor-ground)	$\leq 25$ V
Protection level $U_p$ (Core-Core)	$\leq 25$ V (C1 (500 V/250 A))
	$\leq 15$ V (C3 (25 A))
	$\leq 15$ V (B2 (4 kV/100 A))
Protection level $U_p$ (Core-Earth)	$\leq 25$ V (C1 (500 V/250 A))
	$\leq 15$ V (C3 (25 A))
	$\leq 15$ V (B2 (4 kV/100 A))
Response time $t_A$ (Core-Core)	$\leq 500$ ns
Response time $t_A$ (Core-Earth)	$\leq 500$ ns
Cut-off frequency $f_g$ (3 dB), sym. in 100 Ohm system	typ. 70 MHz
Inductivity in series	0.11 $\mu$ H
Surge carrying capacity in acc. with IEC 61643-21 (Core-Core)	C1 (500 V / 250 A)
	C3 (2 kV/25 A)
Surge carrying capacity in acc. with IEC 61643-21 (Core-Earth)	C1 (500 A/250 A)
	C3 (2 kV/25 A)

**Connection data**

Connection method	Screw connection & D-SUB-9
Connection type IN	Screw terminal blocks
Connection type OUT	D-SUB-9 connector
Connection method	2-wire (shielded)
Screw thread	M2
Tightening torque	0.25 Nm
Stripping length	5 mm
Conductor cross section stranded min.	0.14 mm <sup>2</sup>
Conductor cross section stranded max.	1.5 mm <sup>2</sup>

Conductor cross section solid min.	0.14 mm <sup>2</sup>
Conductor cross section solid max.	1.5 mm <sup>2</sup>
Conductor cross section AWG/kcmil min.	26
Conductor cross section AWG/kcmil max	16

**Connection, equipotential bonding**

Connection method	PVC Litz wire, 1.0 mm <sup>2</sup> , 0.5 m length
-------------------	---

**Connection, protective circuit**

Standards/regulations	IEC 61643-21
	DIN EN 61643-21

**Certificates / Approvals**



Certification

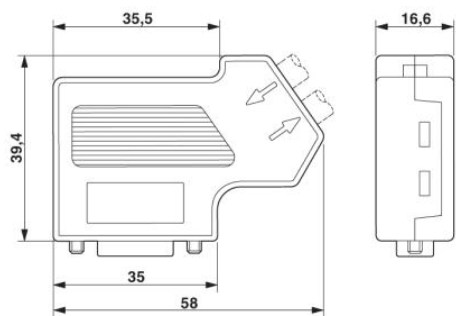
GOST, UL Listed

Certifications applied for:

Certification Ex:

**Drawings**

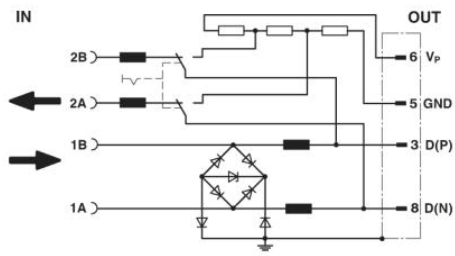
Dimensioned drawing



Dimensional drawing: D-UFB-PB

Circuit diagram

---



D-UFB-PB Order No.: 2880642

<http://catalog.phoenixcontact.net/phoenix/treeViewClick.do?UID=2880642>

---

**Address**

PHOENIX CONTACT Deutschland GmbH  
Flachmarktstr. 8  
32825 Blomberg, Germany  
Phone +49 5235 3 12000  
Fax +49 5235 3 41200  
<http://www.phoenixcontact.de>



© 2012 Phoenix Contact  
Technical modifications reserved;