

Socket - EO-CF/PT/LED/YE



1068075

<https://www.phoenixcontact.com/de/produkte/1068075>

Please be informed that the data shown in this PDF document is generated from our Online Catalog. Please find the complete data in the user documentation. Our General Terms of Use for Downloads are valid.



Socket, Pin connector pattern type CF, Push-in spring connection, Light indicator, yellow, for mounting on a DIN rail in the service interface or direct mounting, 250 V AC, 16 A, -20 °C, 60 °C, VDE 0620-1

Commercial Data

Item number	1068075
Packing unit	5 pc
Minimum order quantity	5 pc
Sales Key	B1 - Markierung Montage
Product Key	BE7621
Catalog Page	Page 562 (C-3-2019)
GTIN	4055626739731
Weight per Piece (including packing)	72,79 g
Weight per Piece (excluding packing)	72,7 g
Customs tariff number	85366990
Country of origin	PL

1068075

<https://www.phoenixcontact.com/de/produkte/1068075>

Technical Data

Product properties

Product type	Socket
Country ID	Germany

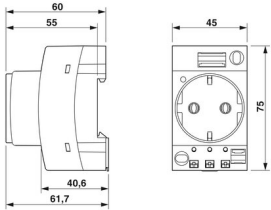
Electrical properties

Nominal voltage U_N	250 V AC (50 Hz)
Nominal current I_N	16 A

LED signaling

Status display	Yes
----------------	-----

Dimensions

Dimensional drawing	
Width	45 mm
Height	75 mm
Depth	60 mm

Material specifications

Color	yellow
Flammability rating according to UL 94	V0
Insulating material	PA
Contact material	CuZn37
Static insulating material application in cold	-60 °C
Temperature index of insulation material (DIN EN 60216-1 (VDE 0304-21))	130 °C
Relative insulation material temperature index (Elec., UL 746 B)	130 °C
Fire protection for rail vehicles (DIN EN 45545-2) R22	HL 1 - HL 3
Fire protection for rail vehicles (DIN EN 45545-2) R23	HL 1 - HL 3
Fire protection for rail vehicles (DIN EN 45545-2) R24	HL 1 - HL 3
Fire protection for rail vehicles (DIN EN 45545-2) R26	HL 1 - HL 3
Calorimetric heat release NFPA 130 (ASTM E 1354)	28 MJ/kg
Surface flammability NFPA 130 (ASTM E 162)	passed
Specific optical density of smoke NFPA 130 (ASTM E 662)	passed
Smoke gas toxicity NFPA 130 (SMP 800C)	passed

Connector

Socket - EO-CF/PT/LED/YE



1068075

<https://www.phoenixcontact.com/de/produkte/1068075>

Type of plug	Pin connector pattern type CF
--------------	-------------------------------

Environmental and real-life conditions

Ambient conditions

Degree of protection	IP20
Ambient temperature (operation)	-20 °C ... 60 °C (max. short-term operating temperature RTI Elec.)
Ambient temperature (storage/transport)	-25 °C ... 60 °C (for a short time, not exceeding 24 h, -60 °C to +70 °C)
Permissible humidity (storage/transport)	30 % ... 70 %

Standards and regulations

Standards

Standards/regulations	VDE 0620-1
-----------------------	------------

Mounting

Mounting type	for mounting on a DIN rail in the service interface or direct mounting
---------------	--

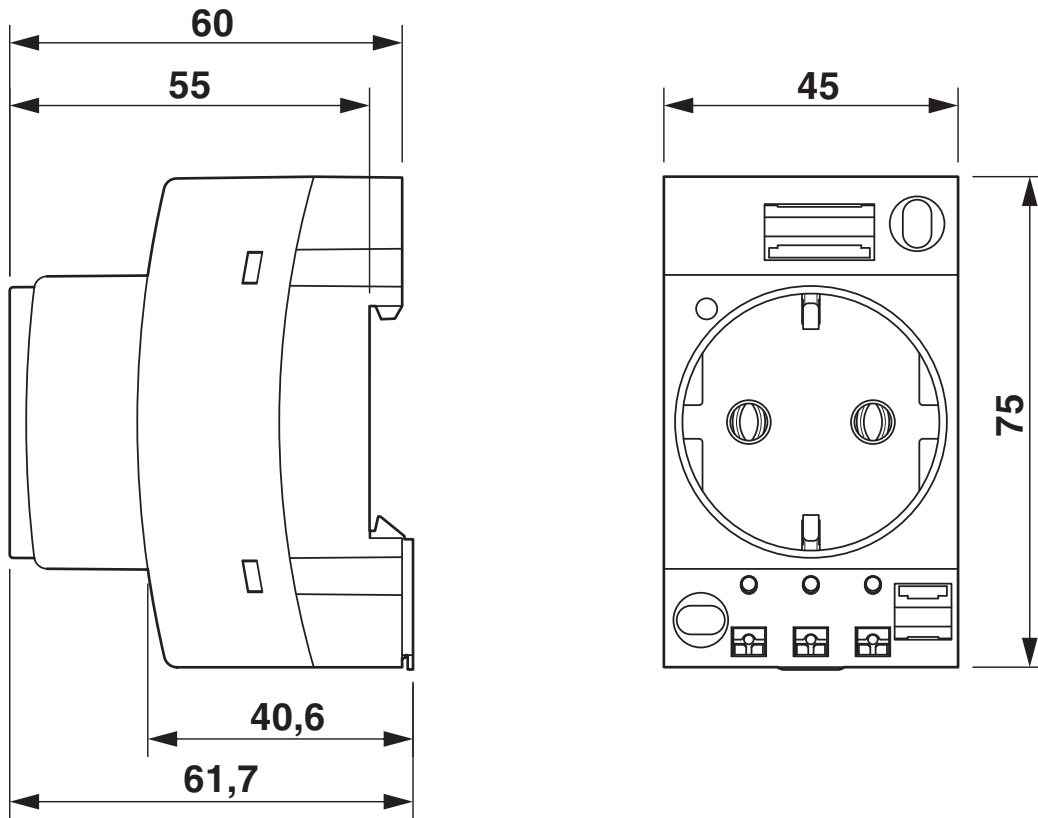
Socket - EO-CF/PT/LED/YE

1068075

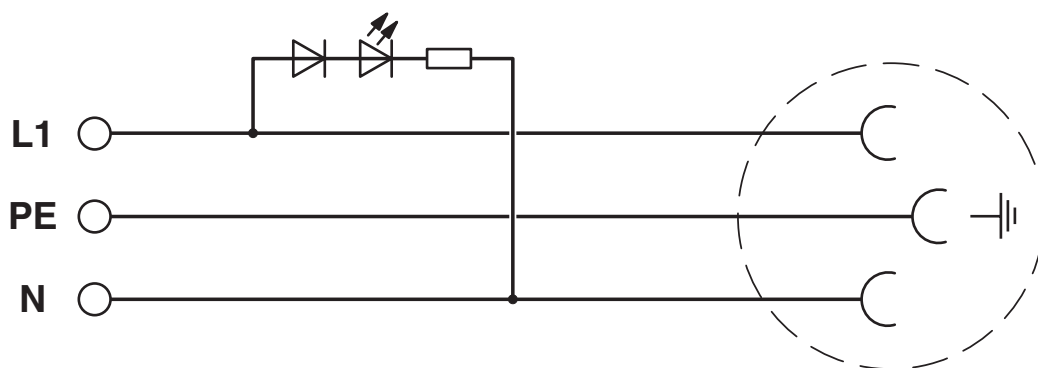
<https://www.phoenixcontact.com/de/produkte/1068075>

Drawings

Dimensional drawing



Circuit diagram



Socket - EO-CF/PT/LED/YE



1068075

<https://www.phoenixcontact.com/de/produkte/1068075>

Approvals



EAC

Approval ID: RU C-DE.BL08.B.00511



VDE report with production monitoring

Approval ID: 40047713

	Nominal Voltage U_N	Nominal Current I_N	Cross Section AWG	Cross Section mm^2
	250 V	16 A	-	-



EAC

Approval ID: RU D-DE.HB49.B.00025

Socket - EO-CF/PT/LED/YE



1068075

<https://www.phoenixcontact.com/de/produkte/1068075>

Classifications

ECLASS

ECLASS-9.0	27142305
ECLASS-10.0.1	27142305
ECLASS-11.0	27142305

ETIM

ETIM 8.0	EC001663
----------	----------

UNSPSC

UNSPSC 21.0	39121400
-------------	----------

Socket - EO-CF/PT/LED/YE

1068075

<https://www.phoenixcontact.com/de/produkte/1068075>



Environmental Product Compliance

REACH SVHC	Lead 7439-92-1
	Hexahydromethylphthalic anhydride

1068075

<https://www.phoenixcontact.com/de/produkte/1068075>

Accessories

Marker for terminal blocks

Marker for terminal blocks - UC-TMF 8 - 0818137

<https://www.phoenixcontact.com/de/produkte/0818137>



Marker for terminal blocks, Sheet, white, unlabeled, can be labeled with: BLUEMARK ID COLOR, BLUEMARK ID, BLUEMARK CLED, PLOTMARK, CMS-P1-PLOTTER, mounting type: snapped, for terminal block width: 8.2 mm, lettering field size: 7.6 x 5.1 mm, Number of individual labels: 56

Marker for terminal blocks

Marker for terminal blocks - UC-TMF 16 - 0819262

<https://www.phoenixcontact.com/de/produkte/0819262>



Marker for terminal blocks, Sheet, white, unlabeled, can be labeled with: BLUEMARK ID COLOR, BLUEMARK ID, BLUEMARK CLED, PLOTMARK, CMS-P1-PLOTTER, mounting type: snapped, for terminal block width: 16 mm, lettering field size: 15.45 x 5.1 mm, Number of individual labels: 32

1068075

<https://www.phoenixcontact.com/de/produkte/1068075>

Zack Marker strip, flat

Zack Marker strip, flat - ZBF 8:UNBEDRUCKT - 0808781

<https://www.phoenixcontact.com/de/produkte/0808781>



Zack Marker strip, flat, Strip, white, unlabeled, can be labeled with: PLOTMARK, CMS-P1-PLOTTER, mounting type: snapped, for terminal block width: 8 mm, lettering field size: 5.15 x 8.15 mm, Number of individual labels: 10

Zack Marker strip, flat

Zack Marker strip, flat - ZBF 16:UNPRINTED - 0827464

<https://www.phoenixcontact.com/de/produkte/0827464>



Zack Marker strip, flat, Strip, white, unlabeled, can be labeled with: PLOTMARK, CMS-P1-PLOTTER, mounting type: snapped, for terminal block width: 16 mm, lettering field size: 16.25 x 10.5 mm, Number of individual labels: 50

Socket - EO-CF/PT/LED/YE

1068075

<https://www.phoenixcontact.com/de/produkte/1068075>



Adapter plate

Adapter plate - EO-SI-FRAME - 0804522

<https://www.phoenixcontact.com/de/produkte/0804522>



Adapter plate for installing the control cabinet sockets (type EO-...) in the mounting frames (type VS-SI-EB-EMV.../ SI-M1A.../ SI-M1B...). Includes fastening hardware for the control cabinet socket

Phoenix Contact 2023 © - all rights reserved

<https://www.phoenixcontact.com>

PHOENIX CONTACT Deutschland GmbH

Flachsmarktstraße 8

D-32825 Blomberg

+49 52 35/3-1 20 00

info@phoenixcontact.de