

Patch panels - FL-PP-RJ45-LSA - 2901645

Please be informed that the data shown in this PDF Document is generated from our Online Catalog. Please find the complete data in the user's documentation. Our General Terms of Use for Downloads are valid (<http://download.phoenixcontact.com>)




Patch panel, one RJ45 socket to 8 IDC connection terminal blocks (1:1 assignment), CAT5e, 10/100/1000 Mbps, DIN rail mounting, IP20, option of shield contacting on DIN rail via jumpers

Why buy this product

- Safe shield connection to ground potential
- CAT5e
- Mounting on a DIN rail
- 10/100 Mbps
- Optional shield connection via jumpers



Key commercial data

| | |
|--------------------------------------|---|
| Packing unit | 1 pc |
| GTIN |  4 046356 622790 |
| Weight per Piece (excluding packing) | 0.076 kg |
| Weight per piece (including packing) | 0.076 kg |
| Custom tariff number | 85369010 |
| Country of origin | Germany |
| Sales Key | M1 - Communication Techn. |

Technical data

Dimensions

| | |
|--------|-------|
| Width | 29 mm |
| Height | 90 mm |
| Depth | 53 mm |

Ambient conditions

| | |
|---|--------------------------------|
| Ambient temperature (operation) | -25 °C ... 70 °C |
| Ambient temperature (storage/transport) | -25 °C ... 85 °C |
| Permissible humidity (operation) | 25 % ... 95 % (non-condensing) |
| Degree of protection | IP20 |

Patch panels - FL-PP-RJ45-LSA - 2901645

Technical data

Serial interface

| | |
|--|---|
| Interface 1 | Ethernet interface, 10/100/1000Base-T(X) according to IEEE 802.3u |
| Connection method | LSA |
| Transmission length | 100 m (including patch cables) |
| Conductor cross section solid min. | 0.128 mm ² |
| Conductor cross section solid max. | 0.325 mm ² |
| Conductor cross section stranded min. | 0.128 mm ² |
| Conductor cross section stranded max. | 0.325 mm ² |
| Conductor cross section AWG/kcmil min. | 26 |
| Conductor cross section AWG/kcmil max. | 22 |
| Pin assignment | 1:1 |
| Serial transmission speed | 10/100/1000 Mbps |
| Interface 2 | Ethernet interface, 10/100/1000Base-T(X) according to IEEE 802.3u |
| Connection method | RJ45 CAT5e |

Power supply

| | |
|-----------------------------|-------|
| Typical current consumption | < 1 A |
|-----------------------------|-------|

General

| | |
|------------------|---|
| Net weight | 55 g |
| Housing material | PVC / PA |
| Color | green |
| MTBF | 6702 Years (Telcordia standard, 25°C temperature, 21% operating cycle (5 days a week, 8 hours a day)) |
| | 2962 Years (Telcordia standard, 40°C temperature, 34.25% operating cycle (5 days a week, 12 hours a day)) |

Classifications

eCl@ss

| | |
|------------|----------|
| eCl@ss 4.0 | 27250591 |
| eCl@ss 4.1 | 27240409 |
| eCl@ss 5.0 | 27259207 |
| eCl@ss 5.1 | 27230207 |
| eCl@ss 6.0 | 27230207 |
| eCl@ss 7.0 | 27230207 |
| eCl@ss 8.0 | 19170112 |

ETIM

| | |
|----------|----------|
| ETIM 3.0 | EC000313 |
| ETIM 4.0 | EC001128 |
| ETIM 5.0 | EC001128 |

Patch panels - FL-PP-RJ45-LSA - 2901645

Classifications

UNSPSC

| | |
|---------------|----------|
| UNSPSC 6.01 | 30211506 |
| UNSPSC 7.0901 | 39121008 |
| UNSPSC 11 | 39121008 |
| UNSPSC 12.01 | 39121008 |
| UNSPSC 13.2 | 39121008 |

Approvals

Approvals

Approvals

DNV

Ex Approvals

Approvals submitted

Approval details

| |
|-----|
| DNV |
|-----|

Accessories

Accessories

Assembly tool

Split-core tool - CT-WZ/A - 2765505



Split-core tool for connecting cables to LSA-Plus strips

Data cable by the meter

Patch panels - FL-PP-RJ45-LSA - 2901645

Accessories

Cable - FL CAT5 HEAVY - 2744814



CAT5-SF/UTP cable (J-02YS(ST)C HP 2 x 2 x 24 AWG), heavy-duty installation cable, 2 x 2 x 0.22 mm², solid conductor, shielded, outer sheath: 7.8 mm diameter, inner sheath: 5.75 mm ± 0.15 mm diameter

Network cable - FL CAT5 FLEX - 2744830



CAT5-SF/UTP cable (J-LI02YS(ST)C H 2 x 2 x 26 AWG), light-duty, flexible installation cable 2 x 2 x 0.14 mm², stranded, shielded, outer sheath: 5.75 mm ± 0.15 mm diameter

Data cable preassembled

Network cable - FL CAT5 HEAVY CONF/ - 2744827



CAT5-SF/UTP cable (J-02YS(ST)C HP 2 x 2 x 24 AWG), heavy-duty installation cable, 2 x 2 x 0.22 mm², solid conductor, shielded, outer sheath: 7.8 mm diameter, inner sheath: 5.75 mm ± 0.15 mm diameter, preassembled on both sides with RJ45 plug, crossover or line

Network cable - FL CAT5 FLEX CONF/ - 2744843



CAT5-SF/UTP cable (J-LI02YS(ST)C H 2 x 2 x 26 AWG), light-duty, flexible installation cable 2 x 2 x 0.14 mm², stranded, shielded, outer sheath: 5.75 mm ± 0.15 mm diameter, preassembled on both sides with RJ45 plug, crossover or line assignment

Data plug

RJ45 connector - VS-08-RJ45-5-Q/IP20 - 1656725



RJ45 connector, IP20, CAT5e, 8-pos., with QUICKON fast connection technology, for 26 ... 23 AWG 1-wire and 7-wire conductors, for 4.5 mm ... 8.0 mm cable diameter, labeling: TIA 568 B, color: gray

Patch panels - FL-PP-RJ45-LSA - 2901645

Accessories

RJ45 connector - VS-08-RJ45-5-Q/IP20 BK - 1658008



RJ45 connector, IP20, CAT5e, 8-pos., with QUICKON fast connection technology, for 1-wire and 7-wire conductors AWG 26 ... 22, for cable diameter of 4.5 mm ... 8.0 mm, TIA 568 B labeling, color: black

Passive isolators

Network isolator - FL ISOLATOR 100-RJ/SC - 2313928



Passive network isolator for electrical isolation in Ethernet networks. This protects Ethernet devices from potential differences of up to 4 kV. Can be used for transmission speeds of up to 100 Mbps. Connection using RJ45 and COMBICON plug-in screw terminal block.

Network isolator - FL ISOLATOR 100-RJ/RJ - 2313931



Passive network isolator for electrical isolation in Ethernet networks. This protects Ethernet devices from potential differences of up to 4 kV. Can be used for transmission speeds of up to 100 Mbps. Possible to connect two RJ45 plugs.

Network isolator - FL ISOLATOR 1000-RJ/RJ - 2313915



Passive network isolator for electrical isolation in Ethernet networks. This protects Ethernet devices from potential differences of up to 4 kV. Can be used for transmission speeds of up to 1 Gbps. Possible to connect two RJ45 plugs.

Patch cable

Patch cable - FL CAT5 PATCH 0,3 - 2832250



Patch cable, CAT5, assembled, 0.3 m

Patch panels - FL-PP-RJ45-LSA - 2901645

Accessories

Patch cable - FL CAT5 PATCH 0,5 - 2832263



Patch cable, CAT5, assembled, 0.5 m

Patch cable - FL CAT5 PATCH 1,0 - 2832276



Patch cable, CAT5, assembled, 1.0 m

Patch cable - FL CAT5 PATCH 1,5 - 2832221



Patch cable, CAT5, assembled, 1.5 m

Patch cable - FL CAT5 PATCH 2,0 - 2832289



Patch cable, CAT5, assembled, 2.0 m

Patch cable - FL CAT5 PATCH 3,0 - 2832292



Patch cable, CAT5, assembled, 3.0 m

Universal tools

Patch panels - FL-PP-RJ45-LSA - 2901645

Accessories

Assembly tool - FL CRIMPTOOL - 2744869



Crimping pliers, for assembling the RJ45 plugs FL PLUG RJ45..., for assembly on site

Tool - VS-CABLE-STRIP-VARIO - 1657407



Stripping tool, for the multi-level stripping of shielded cables

Additional products

Patch panels - FL-PP-RJ45-SCC - 2901642



Patch panel, one RJ45 socket to 8 spring-cage connection terminal blocks (1:1 assignment), CAT5e, 10/100/1000 Mbps, DIN rail mounting, IP20, option of shield contacting on DIN rail via jumpers

Patch panels - FL-PP-RJ45-SC - 2901643



Patch panel, one RJ45 socket to 8 screw connection terminal blocks (1:1 assignment), CAT5e, 10/100/1000 Mbps, DIN rail mounting, IP20, option of shield contacting on DIN rail via jumpers

Patch panels - FL-PP-RJ45/RJ45 - 2901646

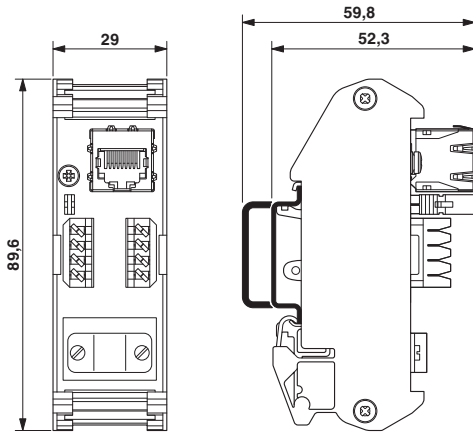


Patch panel, two RJ45 sockets (1:1 assignment), CAT5e, 10/100/1000 Mbps, DIN rail mounting, IP20, option of shield contacting on DIN rail via jumpers

Drawings

Patch panels - FL-PP-RJ45-LSA - 2901645

Dimensioned drawing



Circuit diagram

