

MCR-S-10-50-UI-DCI - Current transducers



2814647

<https://www.phoenixcontact.com/de/produkte/2814647>

Please be informed that the data shown in this PDF document is generated from our Online Catalog. Please find the complete data in the user documentation. Our General Terms of Use for Downloads are valid.



MCR current measuring transducer, programmable and configurable, for measuring direct, alternating and distorted currents, input current 0...10 to 0...50 A, configured

Your advantages

- Device can be set via DIP switches or MCR/PI-CONF-WIN configuration software
- 3-way isolation
- True r.m.s. value measurement

Commercial Data

Item number	2814647
Packing unit	1 pc
Minimum order quantity	1 pc
Note	Made to Order (non-returnable)
Sales Key	J1 - MSR-Technik
Product Key	CK4A34
Catalog Page	Page 231 (C-5-2019)
Weight per Piece (including packing)	172,9 g
Weight per Piece (excluding packing)	170 g
Customs tariff number	85437090
Country of origin	DE

Technical Data

Notes

Utilization restriction

EMC note	EMC: class A product, see manufacturer's declaration in the download area
----------	---

Product properties

Product type	Current transducer
--------------	--------------------

Insulation characteristics

Overvoltage category	III
Pollution degree	2

Electrical properties

Total error	≤ 1.5 % (Temperature range)
Maximum power dissipation for nominal condition	2.2 W
Measuring category	III
Test voltage output/power supply	500 V AC (50 Hz, 60 s)
Test voltage input/output	4 kV AC (50 Hz, 60 s)
Test voltage input/power supply	4 kV AC (50 Hz, 60 s)
Protective circuit	Surge protection; 33 V suppressor diode
Step response (10-90%)	330 ms (AC) 40 ms (DC)
Temperature coefficient, typical	< 0.025 %/K
Maximum transmission error	< 0.5 % (of nominal range value under nominal conditions)
Rated insulation voltage	300 V AC (to earth)

Supply

Supply voltage range	20 V DC ... 30 V DC
Max. current consumption	< 40 mA (without load)

Input data

Measurement

Configurable/programmable	Yes, preconfigured
Input current range	0 A AC/DC ... 55 A AC/DC (Permitted continuous overload: 120%)
Current measuring range	0 A AC/DC ... 50 A AC/DC
Setting range for min. input current	0 A AC/DC ... 9.5 A AC/DC
Setting range for max. input current	0 A AC/DC ... 55 A AC/DC
LSB: Current	1 µA (1 A) 2 µA (2 A) 5 µA (5 A) 10 µA (10 A)

MCR-S-10-50-UI-DCI - Current transducers



2814647

<https://www.phoenixcontact.com/de/produkte/2814647>

	50 μ A (50 A)
	100 μ A (100 A)
Overload capacity	Depending on through connected conductor
Surge strength	Depending on through connected conductor
Frequency measuring range	15 Hz ... 400 Hz
Curve type	AC, DC or distorted currents
Operate threshold	0.8 % (of measuring range nominal value 50 A)

Output data

Signal: Voltage/current

Configurable/programmable	Yes, preconfigured
Voltage output signal	0 V ... 5 V
	1 V ... 5 V
	0 V ... 10 V
	2 V ... 10 V
	-5 V ... 5 V
	-10 V ... 10 V
	10 V ... 0 V
	10 V ... 2 V
	10 V ... -10 V
	5 V ... 0 V
	5 V ... 1 V
	5 V ... -5 V
Current output signal	0 mA ... 20 mA
	4 mA ... 20 mA
	20 mA ... 0 mA
	20 mA ... 4 mA
Load/output load voltage output	> 10 k Ω
Load/output load current output	< 500 Ω

Connection data

Connection method	Screw connection
Stripping length	8 mm
Screw thread	M3
Conductor cross section rigid	0.2 mm ² ... 2.5 mm ²
Conductor cross section flexible	0.2 mm ² ... 2.5 mm ²
Conductor cross section AWG	24 ... 14
Connection method	Through connection

Signaling

Status display	Green LED
----------------	-----------

Dimensions

MCR-S-10-50-UI-DCI - Current transducers



2814647

<https://www.phoenixcontact.com/de/produkte/2814647>

Item dimensions

Width	22.5 mm
Height	99 mm
Depth	114.5 mm

Circular conductor

Diameter	10.5 mm
----------	---------

Material specifications

Housing material	Polyamide PA non-reinforced
------------------	-----------------------------

Environmental and real-life conditions

Ambient conditions

Degree of protection	IP20
Ambient temperature (operation)	-20 °C ... 60 °C
Ambient temperature (storage/transport)	-40 °C ... 85 °C
Altitude	< 2000 m
Permissible humidity (operation)	10 % ... 95 % (non-condensing)

Approvals

CE

Certificate	CE-compliant
-------------	--------------

UL, USA/Canada

Identification	Class I, Zone 2, AEx nA nC IIC T4, Ex nA nC IIC T4 Gc X Class I, Div. 2, Groups A, B, C and D or Non-Hazardous Locations Only
----------------	--

EMC data

Low Voltage Directive	Conformance with Low Voltage Directive
Noise immunity	EN 61000-6-2
Electromagnetic compatibility	Conformance with EMC directive
Noise emission	EN 61000-6-4

Standards and regulations

Standards/regulations	IEC 61010-2-030
-----------------------	-----------------

Mounting

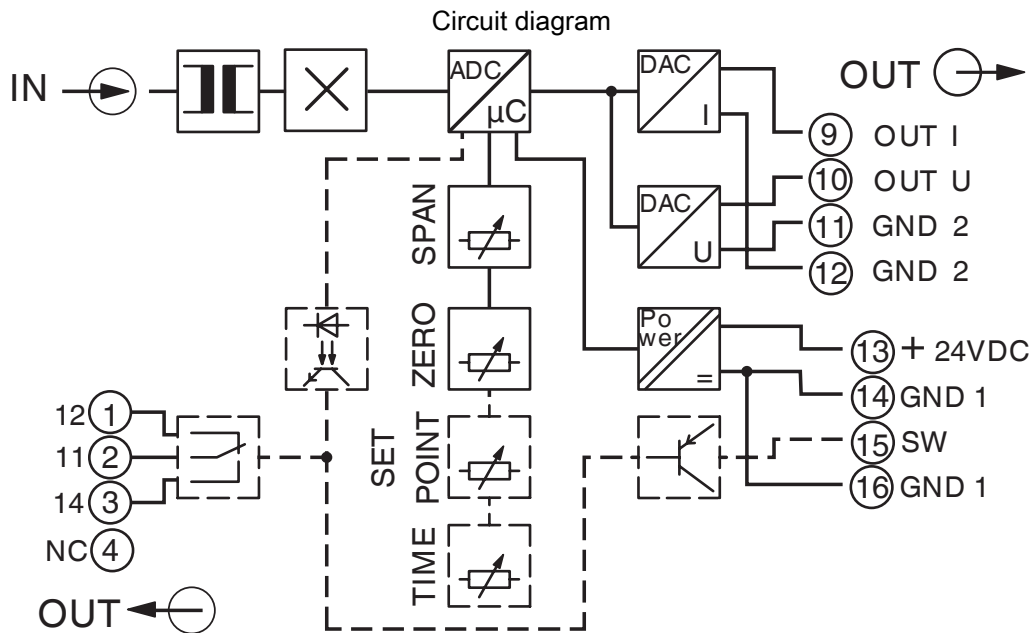
Mounting type	DIN rail mounting
Mounting position	any

MCR-S-10-50-UI-DCI - Current transducers

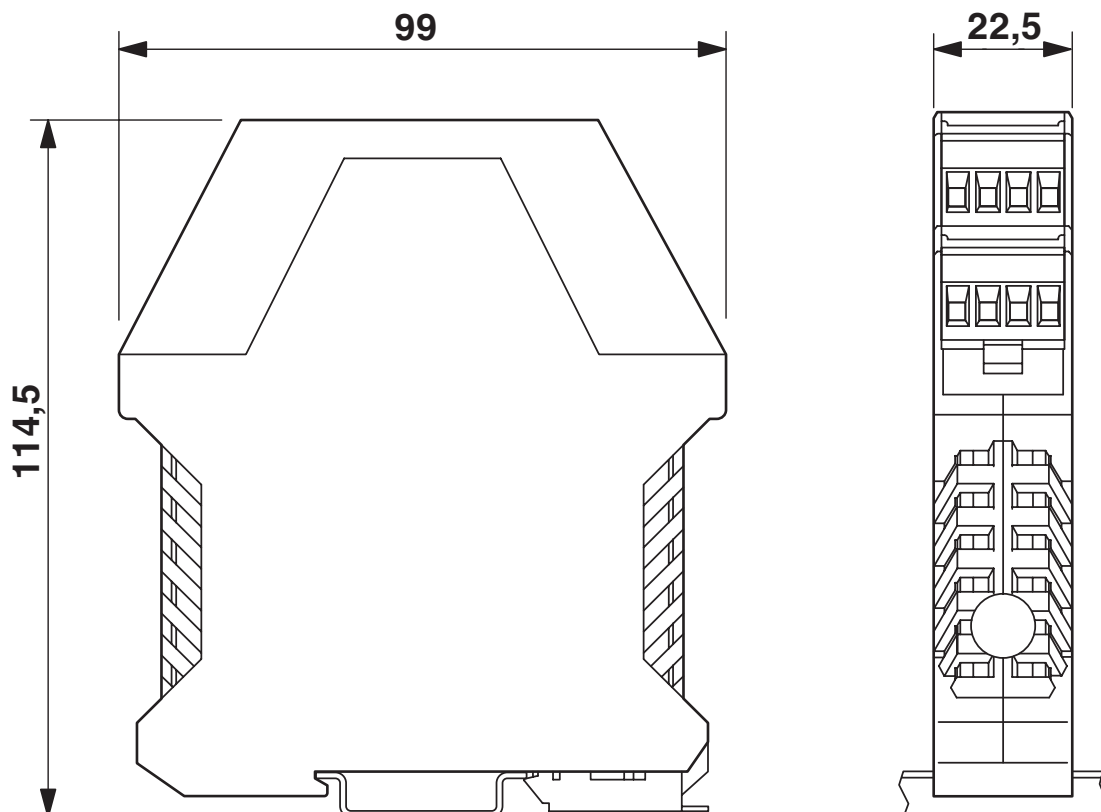
2814647

<https://www.phoenixcontact.com/de/produkte/2814647>

Drawings



Dimensional drawing



MCR-S-10-50-UI-DCI - Current transducers



2814647

<https://www.phoenixcontact.com/de/produkte/2814647>

Approvals

To download certificates, visit the product detail page: <https://www.phoenixcontact.com/de/produkte/2814647>



cUL Recognized
Approval ID: FILE E 238705



UL Recognized
Approval ID: FILE E 238705



EAC
Approval ID: RU*DE.*08.B.01852-19



cUL Listed
Approval ID: FILE E 199827



UL Listed
Approval ID: FILE E 199827

MCR-S-10-50-UI-DCI - Current transducers



2814647

<https://www.phoenixcontact.com/de/produkte/2814647>

Classifications

ECLASS

ECLASS-11.0	27210123
ECLASS-12.0	27210123
ECLASS-13.0	27210123

ETIM

ETIM 8.0	EC002475
----------	----------

UNSPSC

UNSPSC 21.0	39121000
-------------	----------

MCR-S-10-50-UI-DCI - Current transducers



2814647

<https://www.phoenixcontact.com/de/produkte/2814647>

Environmental Product Compliance

REACH SVHC	Lead 7439-92-1
	Hexahydromethylphthalic anhydride
China RoHS	Environmentally Friendly Use Period = 50 years
	For information on hazardous substances, refer to the manufacturer's declaration available under "Downloads"

MCR-S-10-50-UI-DCI - Current transducers



2814647

<https://www.phoenixcontact.com/de/produkte/2814647>

Accessories

MCR-TTL-RS232-E - Adapter cable

2814388

<https://www.phoenixcontact.com/de/produkte/2814388>

Software adapter cable (Stereo jack connector/D-SUB 25-pos.), 1.2 m length, for programming MCR-T-..., MCR-S-... and MCR-f-... modules



CM-KBL-RS232/USB - Cable

2881078

<https://www.phoenixcontact.com/de/produkte/2881078>

Connecting cable D-9-SUB to USB, with adapter D-9-SUB to D-25-SUB.



Phoenix Contact 2023 © - all rights reserved

<https://www.phoenixcontact.com>

PHOENIX CONTACT Deutschland GmbH

Flachsmarktstraße 8

D-32825 Blomberg

+49 52 35/3-1 20 00

info@phoenixcontact.de