

MCR-SLP-1-5-UI-0

Order No.: 2814359




<http://catalog.phoenixcontact.net/phoenix/treeViewClick.do?UID=2814359>

MCR passive current measuring transducer, for sinusoidal alternating currents 0..1 A AC/0..5 A AC, without switching output, output signal 0..10 V/0..20 mA



Commercial data

EAN	 4 017918 148447
sales group	H532
Pack	1 Pcs.
Customs tariff	85437090
Gross weight in pieces	0.2316 KG
Net weight per piece	0.2104 KG
Catalog page information	Page 718 (IF-2011)

Product notes

WEEE/RoHS-compliant since:
11/10/2006



<http://www.download.phoenixcontact.com>
Please note that the data given here has been taken from the online catalog. For comprehensive information and data, please refer to the user documentation. The General Terms and Conditions of Use apply to Internet downloads.

Technical data

Input data

Input	Current measuring input 1 A
Input current range	0 A AC ... 5 A AC
Impulse form	Sine
Overload capacity	2 x I _N (5 min. at 60°C ambient temperature)

Surge strength	50 A (1 s)
Permissible output range	$1.2 \times I_N$
Nominal frequency f_N	50 Hz
Frequency measuring range	45 Hz ... 60 Hz
Power loss	1.6 VA (at $I_A = 20$ mA)
Connection method	Screw connection
Input	Current measuring input 5 A
Input current range	0 A AC ... 0.005 A AC
Impulse form	Sine
Overload capacity	$2 \times I_N$ (5 min. at 60°C ambient temperature)
Surge strength	100 A (1 s)
Permissible output range	$1.2 \times I_N$
Nominal frequency f_N	50 Hz
Frequency measuring range	45 Hz ... 60 Hz
Power loss	2.2 VA (at $I = 20$ mA)
Connection method	Screw connection

Output data

Output name	Voltage output
Voltage output signal	0 V ... 10 V
Max. output voltage	20 V
Load/output load voltage output	> 100 k Ω
Output name	Current output
Current output signal	0 mA ... 20 mA
Max. output current	30 mA
Load/output load current output	< 750 Ω
Residual ripple, in reference to the measured value	0.5 % (pp of measured value)

Switching output

Output name	No switching output
-------------	---------------------

Connection data

Connection method	Screw connection
Conductor cross section solid min.	0.2 mm ²
Conductor cross section solid max.	2.5 mm ²
Conductor cross section stranded min.	0.2 mm ²

Conductor cross section stranded max.	2.5 mm ²
Conductor cross section AWG/kcmil min.	24
Conductor cross section AWG/kcmil max	14
Stripping length	8 mm
Screw thread	M3

General data

Width	22.5 mm
Height	99 mm
Depth	114.5 mm
Maximum transmission error	< 0.5 % (of final value)
Maximum temperature coefficient	< 0.015 %/K
Step response (10-90%)	< 200 ms
Protective circuit	Transient protection in the output Suppressor diode
Ambient temperature (operation)	-25 °C ... 60 °C
Degree of protection	IP20
Surge voltage category	III
Pollution degree	2
Rated insulation voltage	300 V AC (to earth)
Test voltage input/output	4 kV (50 Hz, 1 min.)
Color	green
Housing material	Polyamide PA non-reinforced
Mounting position	50°C: Vertical (installation on horizontal DIN rail)
Conformance	CE-compliant

Certificates / Approvals



Certification

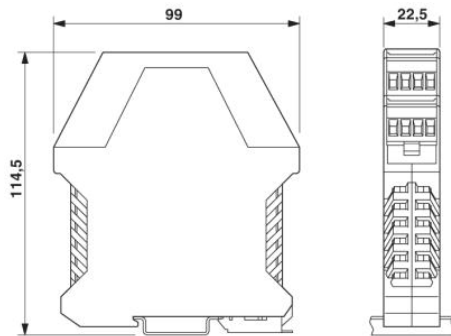
cULus Recognized, GOST

Certifications applied for:

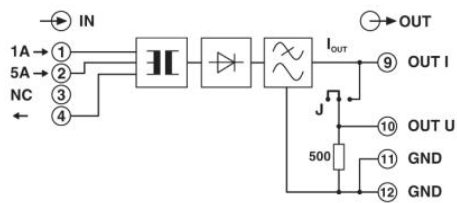
Certification Ex:

Drawings

Dimensioned drawing



Circuit diagram



Address

PHOENIX CONTACT Deutschland GmbH
Flachmarktstr. 8
32825 Blomberg, Germany
Phone +49 5235 3 12000
Fax +49 5235 3 41200
<http://www.phoenixcontact.de>



© 2012 Phoenix Contact
Technical modifications reserved;