

DIN rail adapter - NBC-PP-J1PGY-S/R4IDC8



1100077

<https://www.phoenixcontact.com/de/produkte/1100077>

Please be informed that the data shown in this PDF document is generated from our Online Catalog. Please find the complete data in the user documentation. Our General Terms of Use for Downloads are valid.



DIN rail adapter, degree of protection: IP20, number of positions: 8, 10 Gbps, CAT6_A, material: PC-GF10, connection method: IDC connection, connection cross section: AWG 26- 22, Item set, DIN rail adapter including RJ45 cable connection module

Product Description

Compact DIN rail adapter, including RJ45 cable connection module, with optional shield connection, with dust protection cover, one-piece design

Your advantages

- For distributing copper and fiber optic cabling
- Assembly without special tools
- Compact design: 1TE (DIN 43880)
- One-Piece Design
- Front release without special tool
- Optional overall shielding braid for copper modules
- Security elements available as accessories
- Marking service: Phoenix Contact can custom-mark all labels according to your requirements
- Adapter-less integration of module inserts

DIN rail adapter - NBC-PP-J1PGY-S/R4IDC8



1100077

<https://www.phoenixcontact.com/de/produkte/1100077>

Commercial Data

Item number	1100077
Packing unit	1 pc
Minimum order quantity	1 pc
Sales Key	D1 - Steckverbinder
Product Key	ABNAHA
GTIN	4055626951447
Weight per Piece (including packing)	49,6 g
Weight per Piece (excluding packing)	49 g
Customs tariff number	85366990
Country of origin	DE

DIN rail adapter - NBC-PP-J1PGY-S/R4IDC8

1100077

<https://www.phoenixcontact.com/de/produkte/1100077>

Technical Data

Notes

Notes on operation	Set item with RJ45 cable connection module
--------------------	--

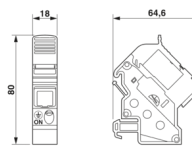
Product properties

Type	DIN rail module, one-piece
Product type	Patch panel
Number of positions	8
Set consists of	1041740 NBC-PP-G1PGY 1417274 CUC-I-J1ZNI-S/R4IDC8
Number of slots	1

Electrical properties

Rated voltage (III/3)	72 V (DC)
Frequency range	500 MHz
Contact resistance	≤ 5 mΩ (Shield-ground, optional)

Dimensions

Dimensional drawing	
Width	18 mm
Height	80 mm
Depth	64.6 mm

Material specifications

Flammability rating according to UL 94	V0
Material, protective cover	PC
Housing material	PC-GF10

Cable / line

Cable structure	
External cable diameter	4.5 mm ... 9 mm

Environmental and real-life conditions

Ambient conditions	
Degree of protection	IP20

Mounting

Mounting type	DIN rail: 35 mm
---------------	-----------------

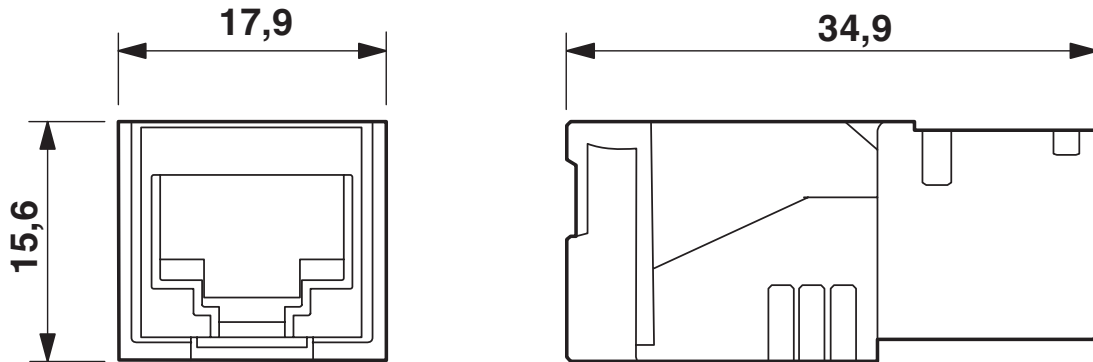
DIN rail adapter - NBC-PP-J1PGY-S/R4IDC8

1100077

<https://www.phoenixcontact.com/de/produkte/1100077>

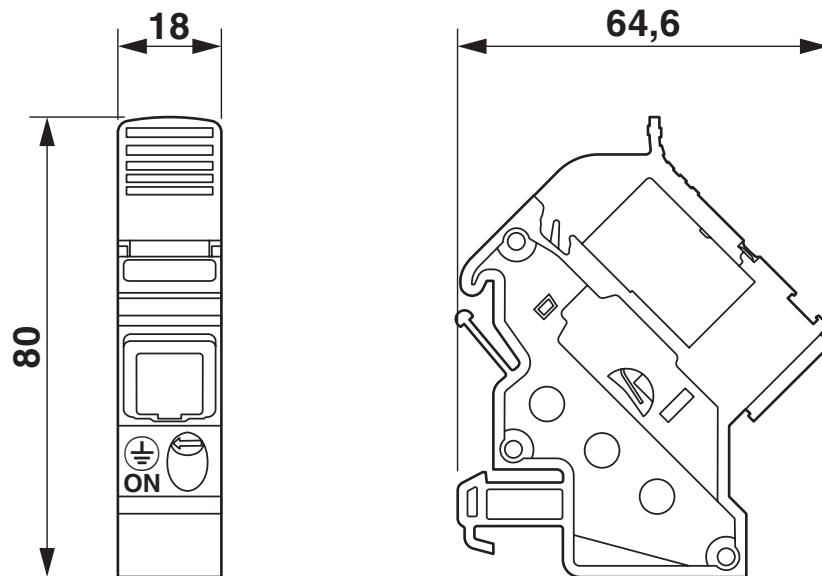
Drawings

Dimensional drawing



RJ45 socket insert

Dimensional drawing



DIN rail adapter - NBC-PP-J1PGY-S/R4IDC8



1100077

<https://www.phoenixcontact.com/de/produkte/1100077>

Approvals

EN EAC

DIN rail adapter - NBC-PP-J1PGY-S/R4IDC8



1100077

<https://www.phoenixcontact.com/de/produkte/1100077>

Classifications

ECLASS

ECLASS-9.0	27440107
ECLASS-11.0	27440107

ETIM

ETIM 8.0	EC002635
----------	----------

UNSPSC

UNSPSC 21.0	
-------------	--

DIN rail adapter - NBC-PP-J1PGY-S/R4IDC8



1100077

<https://www.phoenixcontact.com/de/produkte/1100077>

Environmental Product Compliance

China RoHS	Environmentally friendly use period: unlimited = EFUP-e
	No hazardous substances above threshold values

DIN rail adapter - NBC-PP-J1PGY-S/R4IDC8



1100077

<https://www.phoenixcontact.com/de/produkte/1100077>

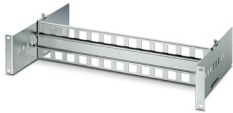
Accessories

DIN rail adapter

DIN rail adapter - FL DIN RA - 2891053

<https://www.phoenixcontact.com/de/produkte/2891053>

The FL DIN RA is installed in a standard, 19-inch rack (EIA-310-D, IEC 60297-3-100) to allow DIN rail mounted equipment to be rack mounted.



Plug Guard Security Frame

Plug Guard Security Frame - NBC-PP-F1PWH:10 - 1041881

<https://www.phoenixcontact.com/de/produkte/1041881>

Plug Guard Security Frame



DIN rail adapter - NBC-PP-J1PGY-S/R4IDC8

1100077

<https://www.phoenixcontact.com/de/produkte/1100077>

Network cable

Network cable - VS-OE-OE-93B-100,0 - 1416389

<https://www.phoenixcontact.com/de/produkte/1416389>



Network cable, PROFINET CAT5 (100 Mbps), 4-position, shielded, free cable end, on free cable end, cable length: 100 m

Network cable

Network cable - VS-OE-OE-94B-100,0 - 1416567

<https://www.phoenixcontact.com/de/produkte/1416567>



Network cable, Ethernet CAT5 (1 Gbps), 8-position halogen-free, shielded, free cable end, on free cable end, cable length: 100 m

DIN rail adapter - NBC-PP-J1PGY-S/R4IDC8

1100077

<https://www.phoenixcontact.com/de/produkte/1100077>

Network cable

Network cable - VS-OE-OE-94F/... - 1417359

<https://www.phoenixcontact.com/de/produkte/1417359>



Network cable, Ethernet CAT6_A (10 Gbps), 8-position halogen-free, shielded, free cable end, on free cable end, cable length: Free entry (0.5 ... 400 m)

Dust protection cover

Dust protection cover - NBC-PP-P1PGY:10 - 1041860

<https://www.phoenixcontact.com/de/produkte/1041860>



Dust protection cover

DIN rail adapter - NBC-PP-J1PGY-S/R4IDC8

1100077

<https://www.phoenixcontact.com/de/produkte/1100077>



Port Guard Security Element

Port Guard Security Element - NBC-PP-A1PRD:10 - 1041900

<https://www.phoenixcontact.com/de/produkte/1041900>



Port Guard Security Element

Diagonal cutter

Diagonal cutter - MICROFOX-SP-1 - 1212487

<https://www.phoenixcontact.com/de/produkte/1212487>



Electronic diagonal cutter, tapered head, without chamfer, with opening spring, non-reflective phosphate-treated surface, punched version

DIN rail adapter - NBC-PP-J1PGY-S/R4IDC8

1100077

<https://www.phoenixcontact.com/de/produkte/1100077>

Stripping tool

Stripping tool - VS-CABLE-STRIP-VARIO - 1657407

<https://www.phoenixcontact.com/de/produkte/1657407>

Stripping tool, for the multi-level stripping of shielded cables



Marker for terminal blocks

Marker for terminal blocks - UC-TMF 16 - 0819262

<https://www.phoenixcontact.com/de/produkte/0819262>

Marker for terminal blocks, Sheet, white, unlabeled, can be labeled with: BLUEMARK ID COLOR, BLUEMARK ID, BLUEMARK CLED, PLOTMARK, CMS-P1-PLOTTER, mounting type: snap in, for terminal block width: 16 mm, lettering field size: 15.45 x 5.1 mm, Number of individual labels: 32



DIN rail adapter - NBC-PP-J1PGY-S/R4IDC8

1100077

<https://www.phoenixcontact.com/de/produkte/1100077>

Marker for terminal blocks

Marker for terminal blocks - UC-TMF 16 CUS - 0824678

<https://www.phoenixcontact.com/de/produkte/0824678>



Marker for terminal blocks, can be ordered: by sheet, white, labeled according to customer specifications, mounting type: snap into flat marker groove, for terminal block width: 16 mm, lettering field size: 15.45 x 5.1 mm, Number of individual labels: 32

Marker for terminal blocks

Marker for terminal blocks - UC-TMF 16 VT - 0822699

<https://www.phoenixcontact.com/de/produkte/0822699>



Marker for terminal blocks, Sheet, violet, unlabeled, can be labeled with: BLUEMARK ID COLOR, BLUEMARK ID, BLUEMARK CLED, PLOTMARK, CMS-P1-PLOTTER, mounting type: snap in, for terminal block width: 16 mm, lettering field size: 15.45 x 5.1 mm, Number of individual labels: 32

DIN rail adapter - NBC-PP-J1PGY-S/R4IDC8

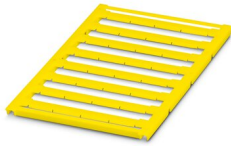
1100077

<https://www.phoenixcontact.com/de/produkte/1100077>

Marker for terminal blocks

Marker for terminal blocks - UC-TMF 16 YE - 0819259

<https://www.phoenixcontact.com/de/produkte/0819259>



Marker for terminal blocks, Sheet, yellow, unlabeled, can be labeled with: BLUEMARK ID COLOR, BLUEMARK ID, BLUEMARK CLED, PLOTMARK, CMS-P1-PLOTTER, mounting type: snap in, for terminal block width: 16 mm, lettering field size: 15.45 x 5.1 mm, Number of individual labels: 32

Marker for terminal blocks

Marker for terminal blocks - UC-TMF 16 RD CUS - 0824682

<https://www.phoenixcontact.com/de/produkte/0824682>



Marker for terminal blocks, can be ordered: by sheet, red, labeled according to customer specifications, mounting type: snap into flat marker groove, for terminal block width: 16 mm, lettering field size: 15.45 x 5.1 mm, Number of individual labels: 32

DIN rail adapter - NBC-PP-J1PGY-S/R4IDC8

1100077

<https://www.phoenixcontact.com/de/produkte/1100077>

Marker for terminal blocks

Marker for terminal blocks - UC-TMF 16 GN - 0817921

<https://www.phoenixcontact.com/de/produkte/0817921>



Marker for terminal blocks, Sheet, green, unlabeled, can be labeled with: BLUEMARK ID COLOR, BLUEMARK ID, BLUEMARK CLED, PLOTMARK, CMS-P1-PLOTTER, mounting type: snap in, for terminal block width: 16 mm, lettering field size: 15.45 x 5.1 mm, Number of individual labels: 32

Marker for terminal blocks

Marker for terminal blocks - UC-TMF 16 BU CUS - 0824679

<https://www.phoenixcontact.com/de/produkte/0824679>



Marker for terminal blocks, can be ordered: by sheet, blue, labeled according to customer specifications, mounting type: snap into flat marker groove, for terminal block width: 16 mm, lettering field size: 15.45 x 5.1 mm, Number of individual labels: 32

DIN rail adapter - NBC-PP-J1PGY-S/R4IDC8

1100077

<https://www.phoenixcontact.com/de/produkte/1100077>

Marker for terminal blocks

Marker for terminal blocks - UC-TMF 16 OG - 0817811

<https://www.phoenixcontact.com/de/produkte/0817811>



Marker for terminal blocks, Sheet, orange, unlabeled, can be labeled with: BLUEMARK ID COLOR, BLUEMARK ID, BLUEMARK CLED, PLOTMARK, CMS-P1-PLOTTER, mounting type: snap in, for terminal block width: 16 mm, lettering field size: 15.45 x 5.1 mm, Number of individual labels: 32

Marker for terminal blocks

Marker for terminal blocks - UC-TMF 16 OG CUS - 0824681

<https://www.phoenixcontact.com/de/produkte/0824681>



Marker for terminal blocks, can be ordered: by sheet, orange, labeled according to customer specifications, mounting type: snap into flat marker groove, for terminal block width: 16 mm, lettering field size: 15.45 x 5.1 mm, Number of individual labels: 32

1100077

<https://www.phoenixcontact.com/de/produkte/1100077>

Marker for terminal blocks

Marker for terminal blocks - UC-TMF 16 VT CUS - 0824683

<https://www.phoenixcontact.com/de/produkte/0824683>



Marker for terminal blocks, can be ordered: by sheet, violet, labeled according to customer specifications, mounting type: snap into flat marker groove, for terminal block width: 16 mm, lettering field size: 15.45 x 5.1 mm, Number of individual labels: 32

Marker for terminal blocks

Marker for terminal blocks - UC-TMF 16 BU - 0817905

<https://www.phoenixcontact.com/de/produkte/0817905>



Marker for terminal blocks, Sheet, blue, unlabeled, can be labeled with: BLUEMARK ID COLOR, BLUEMARK ID, BLUEMARK CLED, PLOTMARK, CMS-P1-PLOTTER, mounting type: snap in, for terminal block width: 16 mm, lettering field size: 15.45 x 5.1 mm, Number of individual labels: 32

DIN rail adapter - NBC-PP-J1PGY-S/R4IDC8

1100077

<https://www.phoenixcontact.com/de/produkte/1100077>

Marker for terminal blocks

Marker for terminal blocks - UC-TMF 16 YE CUS - 0824684

<https://www.phoenixcontact.com/de/produkte/0824684>



Marker for terminal blocks, can be ordered: by sheet, yellow, labeled according to customer specifications, mounting type: snap into flat marker groove, for terminal block width: 16 mm, lettering field size: 15.45 x 5.1 mm, Number of individual labels: 32

Marker for terminal blocks

Marker for terminal blocks - UC-TMF 16 GN CUS - 0824680

<https://www.phoenixcontact.com/de/produkte/0824680>



Marker for terminal blocks, can be ordered: by sheet, green, labeled according to customer specifications, mounting type: snap into flat marker groove, for terminal block width: 16 mm, lettering field size: 15.45 x 5.1 mm, Number of individual labels: 32

DIN rail adapter - NBC-PP-J1PGY-S/R4IDC8



1100077

<https://www.phoenixcontact.com/de/produkte/1100077>

Marker for terminal blocks

Marker for terminal blocks - UC-TMF 16 RD - 0817824

<https://www.phoenixcontact.com/de/produkte/0817824>

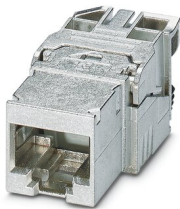


Marker for terminal blocks, Sheet, red, unlabeled, can be labeled with: BLUEMARK ID COLOR, BLUEMARK ID, BLUEMARK CLED, PLOTMARK, CMS-P1-PLOTTER, mounting type: snap in, for terminal block width: 16 mm, lettering field size: 15.45 x 5.1 mm, Number of individual labels: 32

RJ45 socket insert

RJ45 socket insert - CUC-I-J1ZNI-S/R4IDC8 - 1417274

<https://www.phoenixcontact.com/de/produkte/1417274>



RJ45 socket insert, type: RJ45, degree of protection: IP20, number of positions: 8, 10 Gbps, CAT6_A, material: Zinc die-cast, connection method: IDC connection, connection cross section: AWG 26- 22, cable outlet: straight, Adapter-free design

Phoenix Contact 2022 © - all rights reserved

<https://www.phoenixcontact.com>

PHOENIX CONTACT Deutschland GmbH

Flachmarktstraße 8

D-32825 Blomberg

+49 52 35/3-1 20 00

info@phoenixcontact.de