

PP-H 2,5/10 - Plug

3209950

<https://www.phoenixcontact.com/de/produkte/3209950>

Please be informed that the data shown in this PDF document is generated from our online catalog. Please find the complete data in the user documentation. Our general terms of use for downloads are valid.



Plug, nom. voltage: 500 V, nominal current: 24 A, number of connections: 10, number of positions: 10, connection method: Push-in connection, 1 level, Rated cross section: 2.5 mm², cross section: 0.14 mm² - 4 mm², color: gray

Your advantages

- Large-surface labeling option
- The Push-in technology COMBI plugs for self-assembly provide solutions that users can implement themselves
- Tested for railway applications

Commercial data

Item number	3209950
Packing unit	25 pc
Minimum order quantity	25 pc
Sales key	A1 - Reihenklemmen
Product key	BE2244
Catalog page	Page 298 (C-1-2019)
GTIN	4046356366847
Weight per piece (including packing)	33,692 g
Weight per piece (excluding packing)	30,996 g
Customs tariff number	85366990
Country of origin	PL

Technical data

Product properties

Product type	Terminal plug
Area of application	Railway industry
	Machine building
	Plant engineering
Number of positions	10
Pitch	5.2 mm
Number of connections	10
Number of rows	1
Potentials	1

Insulation characteristics

Overvoltage category	III
Degree of pollution	3

Electrical properties

Rated surge voltage	6 kV
Maximum power dissipation for nominal condition	0.77 W

Connection data

Number of connections per level	10
Nominal cross section	2.5 mm ²

1 level

Stripping length	8 mm ... 10 mm
Internal cylindrical gage	A3
Connection in acc. with standard	IEC 61984
Conductor cross section rigid	0.14 mm ² ... 4 mm ²
Cross section AWG	26 ... 12 (converted acc. to IEC)
Conductor cross section flexible	0.14 mm ² ... 2.5 mm ²
Conductor cross section, flexible [AWG]	26 ... 14 (converted acc. to IEC)
Conductor cross-section flexible (ferrule without plastic sleeve)	0.14 mm ² ... 2.5 mm ²
Flexible conductor cross section (ferrule with plastic sleeve)	0.14 mm ² ... 2.5 mm ²
2 conductors with the same cross section, flexible, with TWIN ferrule with plastic sleeve	0.5 mm ²
Nominal current	24 A
Maximum load current	24 A (with 4 mm ² conductor cross section)
Nominal voltage	500 V
Nominal cross section	2.5 mm ²

1 level Connection cross sections directly pluggable

Conductor cross section rigid	0.34 mm ² ... 4 mm ²
Conductor cross-section flexible (ferrule without plastic sleeve)	0.34 mm ² ... 2.5 mm ²

PP-H 2,5/10 - Plug



3209950

<https://www.phoenixcontact.com/de/produkte/3209950>

Flexible conductor cross section (ferrule with plastic sleeve)	0.34 mm ² ... 2.5 mm ²
--	--

Dimensions

Width	52 mm
Height	15.8 mm
Depth	40.2 mm
Pitch	5.2 mm

Material specifications

Color	gray
Flammability rating according to UL 94	V0
Insulating material group	I
Insulating material	PA
Static insulating material application in cold	-60 °C
Temperature index of insulation material (DIN EN 60216-1 (VDE 0304-21))	130 °C
Relative insulation material temperature index (Elec., UL 746 B)	130 °C
Fire protection for rail vehicles (DIN EN 45545-2) R22	HL 1 - HL 3
Fire protection for rail vehicles (DIN EN 45545-2) R23	HL 1 - HL 3
Fire protection for rail vehicles (DIN EN 45545-2) R24	HL 1 - HL 3
Fire protection for rail vehicles (DIN EN 45545-2) R26	HL 1 - HL 3
Calorimetric heat release NFPA 130 (ASTM E 1354)	28 MJ/kg
Surface flammability NFPA 130 (ASTM E 162)	passed
Specific optical density of smoke NFPA 130 (ASTM E 662)	passed
Smoke gas toxicity NFPA 130 (SMP 800C)	passed

Mechanical properties

Mechanical data

Open side panel	No
-----------------	----

Environmental and real-life conditions

Ambient conditions

Ambient temperature (operation)	-60 °C (max. operating temperature see derating curve)
Ambient temperature (storage/transport)	-25 °C ... 60 °C (for a short time, no longer than 24 h, -60°C to +70°C)
Ambient temperature (assembly)	-5 °C ... 70 °C
Ambient temperature (actuation)	-5 °C ... 70 °C
Permissible humidity (operation)	20 % ... 90 %
Permissible humidity (storage/transport)	30 % ... 70 %

Standards and regulations

Connection in acc. with standard	IEC 61984
----------------------------------	-----------

PP-H 2,5/10 - Plug

3209950

<https://www.phoenixcontact.com/de/produkte/3209950>



Drawings

Circuit diagram

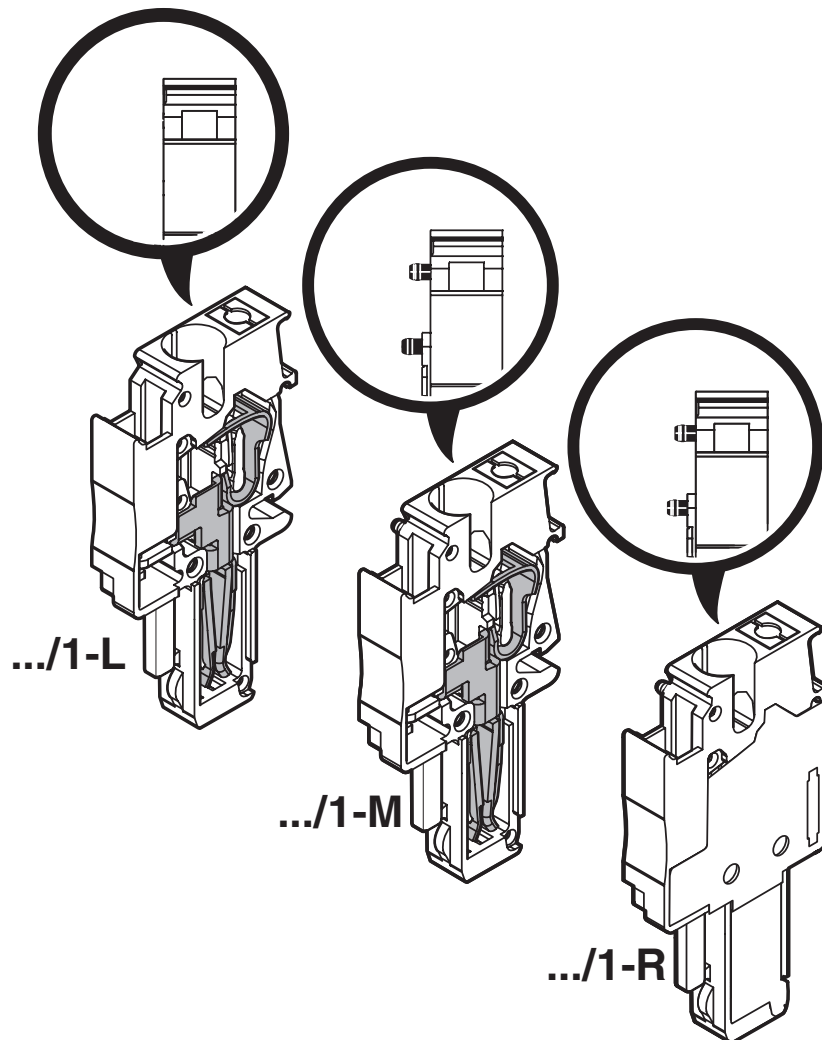


PP-H 2,5/10 - Plug

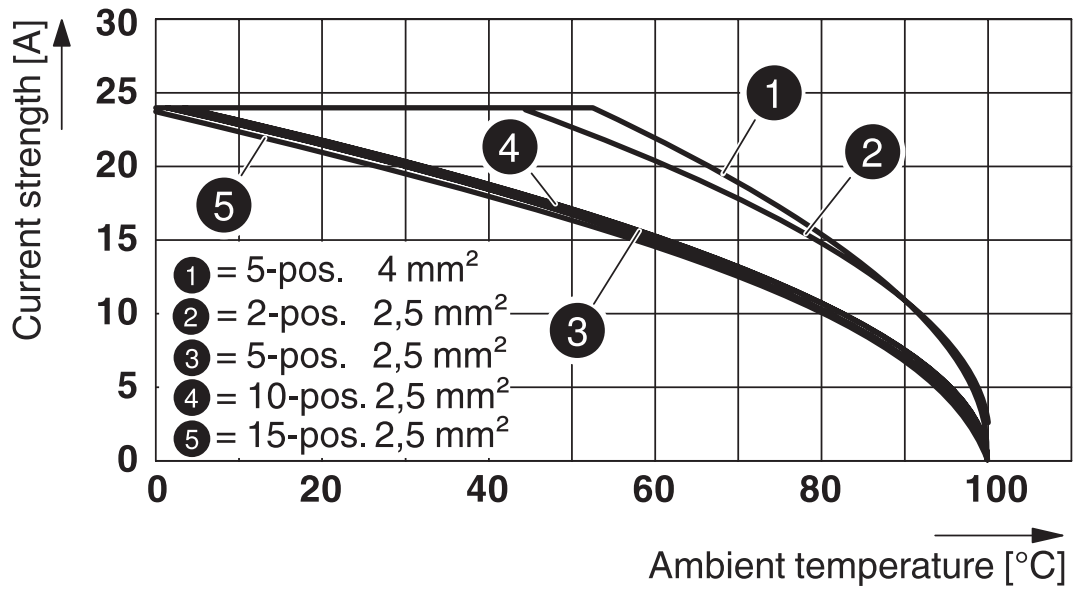
3209950

<https://www.phoenixcontact.com/de/produkte/3209950>

Schematic diagram



Diagram



PP-H 2,5/10 - Plug



3209950

<https://www.phoenixcontact.com/de/produkte/3209950>

Approvals

To download certificates, visit the product detail page: <https://www.phoenixcontact.com/de/produkte/3209950>

DNV

Approval ID: TAE00003JE



CSA

Approval ID: 2030668

	Nominal voltage U_N	Nominal current I_N	Cross section AWG	Cross section mm^2
Use group B				
	300 V	20 A	26 - 12	-
Use group C				
	300 V	20 A	26 - 12	-



EAC

Approval ID: RU C-DE.BL08.B.00511



cULus Recognized

Approval ID: E60425



LR

Approval ID: LR2371832TA



NK

Approval ID: 14ME0912



RS

Approval ID: 22.44.01.00083.250



BV

Approval ID: 25278/C1 BV

ABS

Approval ID: 21-2192245-PDA



LR

Approval ID: 14/20056

PP-H 2,5/10 - Plug

3209950

<https://www.phoenixcontact.com/de/produkte/3209950>



cULus Recognized
Approval ID: E60425

PP-H 2,5/10 - Plug

3209950

<https://www.phoenixcontact.com/de/produkte/3209950>



Classifications

ECLASS

ECLASS-11.0	27141151
ECLASS-12.0	27141151
ECLASS-13.0	27250306

ETIM

ETIM 9.0	EC002021
----------	----------

UNSPSC

UNSPSC 21.0	39121400
-------------	----------

PP-H 2,5/10 - Plug

3209950

<https://www.phoenixcontact.com/de/produkte/3209950>



Environmental product compliance

EU RoHS

Fulfills EU RoHS substance requirements	Yes, No exemptions
---	--------------------

China RoHS

Environment friendly use period (EFUP)	EFUP-E
	No hazardous substances above the limits

EU REACH SVHC

REACH candidate substance (CAS No.)	No substance above 0.1 wt%
-------------------------------------	----------------------------

PP-H 2,5/10 - Plug

3209950

<https://www.phoenixcontact.com/de/produkte/3209950>



Accessories

PZ/2 - Strain relief

3040627

<https://www.phoenixcontact.com/de/produkte/3040627>



Strain relief, width: 9.3 mm, height: 48.7 mm, number of positions: 2, color: black

PZ/4 - Strain relief

3040643

<https://www.phoenixcontact.com/de/produkte/3040643>



Strain relief, width: 19.6 mm, height: 48.7 mm, number of positions: 4, color: black

PP-H 2,5/10 - Plug

3209950

<https://www.phoenixcontact.com/de/produkte/3209950>



PR - Latching

3040559

<https://www.phoenixcontact.com/de/produkte/3040559>



Latching, width: 4.4 mm, height: 29.8 mm, number of positions: 1, color: orange

PR/2 - Latching

3040630

<https://www.phoenixcontact.com/de/produkte/3040630>



Latching, width: 10 mm, height: 29.8 mm, number of positions: 2, color: orange

PP-H 2,5/10 - Plug

3209950

<https://www.phoenixcontact.com/de/produkte/3209950>



PRT/2 - Latching

3040631

<https://www.phoenixcontact.com/de/produkte/3040631>



Latching, can only be released using a screwdriver, width: 9 mm, height: 23.2 mm, number of positions: 2, color: orange

PRZ - Latching

3040614

<https://www.phoenixcontact.com/de/produkte/3040614>



Latching, number of positions: 2, length: 64 mm, color: orange

PP-H 2,5/10 - Plug

3209950

<https://www.phoenixcontact.com/de/produkte/3209950>



DF-SP-H 2,5 - Flange cover

3209824

<https://www.phoenixcontact.com/de/produkte/3209824>

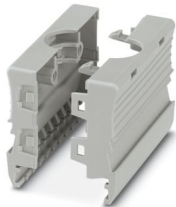


Flange cover, connection method: Screw connection, depth: 24.7 mm, width: 4.5 mm, height: 35.8 mm, color: gray

PH 2,5/10 - Cable housing

3209769

<https://www.phoenixcontact.com/de/produkte/3209769>



Cable housing, pitch: 52 mm, depth: 36.8 mm, width: 52 mm, height: 19.9 mm, number of positions: 10, color: gray

PP-H 2,5/10 - Plug

3209950

<https://www.phoenixcontact.com/de/produkte/3209950>



MPS-MT - Test plug

0201744

<https://www.phoenixcontact.com/de/produkte/0201744>



Test plug, with solder connection up to 1 mm² conductor cross section, number of positions: 1, color: gray

MPS-IH WH - Insulating sleeve

0201663

<https://www.phoenixcontact.com/de/produkte/0201663>

Insulating sleeve, color: white



PP-H 2,5/10 - Plug

3209950

<https://www.phoenixcontact.com/de/produkte/3209950>

MPS-IH RD - Insulating sleeve

0201676

<https://www.phoenixcontact.com/de/produkte/0201676>

Insulating sleeve, color: red

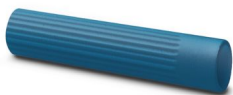


MPS-IH BU - Insulating sleeve

0201689

<https://www.phoenixcontact.com/de/produkte/0201689>

Insulating sleeve, color: blue



PP-H 2,5/10 - Plug

3209950

<https://www.phoenixcontact.com/de/produkte/3209950>



MPS-IH YE - Insulating sleeve

0201692

<https://www.phoenixcontact.com/de/produkte/0201692>

Insulating sleeve, color: yellow



MPS-IH GN - Insulating sleeve

0201702

<https://www.phoenixcontact.com/de/produkte/0201702>

Insulating sleeve, color: green



PP-H 2,5/10 - Plug

3209950

<https://www.phoenixcontact.com/de/produkte/3209950>

MPS-IH GY - Insulating sleeve

0201728

<https://www.phoenixcontact.com/de/produkte/0201728>

Insulating sleeve, color: gray



MPS-IH BK - Insulating sleeve

0201731

<https://www.phoenixcontact.com/de/produkte/0201731>

Insulating sleeve, color: black



PP-H 2,5/10 - Plug

3209950

<https://www.phoenixcontact.com/de/produkte/3209950>



ISH 2,5/0,2 - Insulating sleeve

3002843

<https://www.phoenixcontact.com/de/produkte/3002843>



Insulating sleeve, color: white

ISH 2,5/0,5 - Insulating sleeve

3002856

<https://www.phoenixcontact.com/de/produkte/3002856>



Insulating sleeve, color: gray

PP-H 2,5/10 - Plug

3209950

<https://www.phoenixcontact.com/de/produkte/3209950>



ISH 2,5/1,0 - Insulating sleeve

3002869

<https://www.phoenixcontact.com/de/produkte/3002869>



Insulating sleeve, color: black

ZBF 5:UNBEDRUCKT - Zack Marker strip, flat

0808642

<https://www.phoenixcontact.com/de/produkte/0808642>



Zack Marker strip, flat, Strip, white, unlabeled, can be labeled with: PLOTMARK, CMS-P1-PLOTTER, mounting type: snapped, for terminal block width: 5 mm, lettering field size: 5.1 x 5.2 mm, Number of individual labels: 10

PP-H 2,5/10 - Plug

3209950

<https://www.phoenixcontact.com/de/produkte/3209950>



ZBF 5 CUS - Zack Marker strip, flat

0825025

<https://www.phoenixcontact.com/de/produkte/0825025>



Zack Marker strip, flat, can be ordered: Strip, white, labeled according to customer specifications, mounting type: snap into flat marker groove, for terminal block width: 5 mm, lettering field size: 5.15 x 5.15 mm, Number of individual labels: 10

ZBF 5,LGS:FORTL.ZAHLEN - Zack Marker strip, flat

0808671

<https://www.phoenixcontact.com/de/produkte/0808671>



Zack Marker strip, flat, Strip, white, labeled, printed horizontally: consecutive numbers 1 ... 10, 11 ... 20, etc. up to 491 ... 500, mounting type: snapped, for terminal block width: 5 mm, lettering field size: 5.15 x 5.15 mm, Number of individual labels: 10

PP-H 2,5/10 - Plug

3209950

<https://www.phoenixcontact.com/de/produkte/3209950>



ZBF 5,QR:FORTL.ZAHLEN - Zack Marker strip, flat

0808697

<https://www.phoenixcontact.com/de/produkte/0808697>



Zack Marker strip, flat, Strip, white, labeled, Printed vertically: consecutive numbers 1 ... 10, 11 ... 20, etc. up to 91 ... 100, mounting type: snapped, for terminal block width: 5 mm, lettering field size: 5.15 x 5.15 mm, Number of individual labels: 10

ZBF 5,LGS:GERADE ZAHLEN - Zack Marker strip, flat

0810821

<https://www.phoenixcontact.com/de/produkte/0810821>



Zack Marker strip, flat, Strip, white, labeled, printed horizontally: consecutive even numbers 2 ... 20, 22 ... 40, etc. up to 82 ... 100, mounting type: snapped, for terminal block width: 5 mm, lettering field size: 5.15 x 5.15 mm, Number of individual labels: 10

PP-H 2,5/10 - Plug

3209950

<https://www.phoenixcontact.com/de/produkte/3209950>



ZBF 5,LGS:UNGERADE ZAHLEN - Zack Marker strip, flat

0810863

<https://www.phoenixcontact.com/de/produkte/0810863>

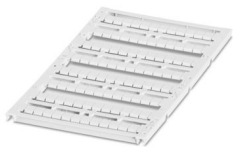


Zack Marker strip, flat, Strip, white, labeled, printed horizontally: Odd numbers 1 - 19, 21 - 39, etc. up to 81 - 99, mounting type: snapped, for terminal block width: 5 mm, lettering field size: 5.15 x 5.15 mm, Number of individual labels: 10

UC-TMF 5 - Marker for terminal blocks

0818153

<https://www.phoenixcontact.com/de/produkte/0818153>



Marker for terminal blocks, Sheet, white, unlabeled, can be labeled with: BLUEMARK ID COLOR, BLUEMARK ID, BLUEMARK CLED, PLOTMARK, CMS-P1-PLOTTER, mounting type: snapped, for terminal block width: 5.2 mm, lettering field size: 4.6 x 5.1 mm, Number of individual labels: 96

PP-H 2,5/10 - Plug

3209950

<https://www.phoenixcontact.com/de/produkte/3209950>



UC-TMF 5 CUS - Marker for terminal blocks

0824638

<https://www.phoenixcontact.com/de/produkte/0824638>



Marker for terminal blocks, can be ordered: by sheet, white, labeled according to customer specifications, mounting type: snap into flat marker groove, for terminal block width: 5.2 mm, lettering field size: 4.6 x 5.1 mm, Number of individual labels: 96

UCT-TMF 5 - Marker for terminal blocks

0828744

<https://www.phoenixcontact.com/de/produkte/0828744>



Marker for terminal blocks, Sheet, white, unlabeled, can be labeled with: TOPMARK NEO, TOPMARK LASER, BLUEMARK ID COLOR, BLUEMARK ID, BLUEMARK CLED, THERMOMARK PRIME, THERMOMARK CARD 2.0, THERMOMARK CARD, mounting type: snapped, for terminal block width: 5.2 mm, lettering field size: 4.4 x 4.7 mm, Number of individual labels: 72

PP-H 2,5/10 - Plug

3209950

<https://www.phoenixcontact.com/de/produkte/3209950>



UCT-TMF 5 CUS - Marker for terminal blocks

0829658

<https://www.phoenixcontact.com/de/produkte/0829658>



Marker for terminal blocks, can be ordered: by sheet, white, labeled according to customer specifications, mounting type: snap into flat marker groove, for terminal block width: 5.2 mm, lettering field size: 4.4 x 4.7 mm, Number of individual labels: 72

DFS-SP-H 2,5 - Flange cover

3061431

<https://www.phoenixcontact.com/de/produkte/3061431>



Flange cover, depth: 24.7 mm, width: 4.5 mm, height: 35.8 mm, color: gray

PP-H 2,5/10 - Plug

3209950

<https://www.phoenixcontact.com/de/produkte/3209950>



ST-BW - Actuation tool

1207608

<https://www.phoenixcontact.com/de/produkte/1207608>

Actuation tool, for all 2.5 mm² - 4.0 mm² spring-cages



Phoenix Contact 2024 © - all rights reserved

<https://www.phoenixcontact.com>

PHOENIX CONTACT Deutschland GmbH

Flachsmarktstraße 8

D-32825 Blomberg

+49 52 35/3-1 20 00

info@phoenixcontact.de