

Patch panels - PP-RJ-SCC-F - 2703022

Please be informed that the data shown in this PDF Document is generated from our Online Catalog. Please find the complete data in the user's documentation. Our General Terms of Use for Downloads are valid (<http://phoenixcontact.com/download>)




Patch panel, RJ45 socket on Push-in terminal blocks, 10/100/1000 Mbps, DIN rail mounting, IP20, shield contacting with strain relief, shield current monitoring, surge protection

Your advantages

- ✓ Extended temperature range of -40°C to +75°C
- ✓ Fast connection of the field cable
- ✓ Wiring space covered with front panel cover
- ✓ Tool-free shield contacting with strain relief
- ✓ Integrated surge protection to ensure high system availability
- ✓ Shield current monitoring with visual display
- ✓ 10/100/1000 Mbps



Key Commercial Data

Packing unit	1 pc
GTIN	 4 055626 463346
GTIN	4055626463346
Weight per Piece (excluding packing)	124.200 g
Custom tariff number	85366990
Country of origin	Germany
Note	Made to Order (non-returnable)

Technical data

Dimensions

Width	23.8 mm
Height	101.3 mm
Depth	86 mm

Ambient conditions

Patch panels - PP-RJ-SCC-F - 2703022

Technical data

Ambient conditions

Ambient temperature (operation)	-40 °C ... 75 °C
Ambient temperature (storage/transport)	-40 °C ... 85 °C
Permissible humidity (operation)	10 % ... 95 % (non-condensing)
Altitude	5000 m (For restrictions see manufacturer's declaration)
	2000 m (ATEX approval)
Degree of protection	IP20 (Manufacturer's declaration)

General

Electrical isolation	FE // Ethernet
Standards/regulations	DIN EN 61643-21
Electromagnetic compatibility	Conformance with EMC Directive 2014/30/EU
Net weight	124.2 g
Housing material	Plastic
Color	gray
MTTF	3281 Years (SN 29500 standard, temperature 25 °C, operating cycle 21 % (5 days a week, 8 hours a day))
	1245 Years (SN 29500 standard, temperature 40 °C, operating cycle 34.25 % (5 days a week, 12 hours a day))
	472 Years (SN 29500 standard, temperature 40 °C, operating cycle 100 % (7 days a week, 24 hours a day))
Degree of pollution	2
Overvoltage category	II
Conformance	CE-compliant
ATEX	# II 3 G Ex nA nC IIC T4 Gc X (Please follow the special installation instructions in the documentation!)
UL, USA	UL 60079-0 Ed. 6 / UL 60079-15 Ed. 4
UL, USA/Canada	Class I, Zone 2, AEx nA IIC T4, Ex nA IIC Gc X T4
	Class I, Div. 2, Groups A, B, C, D
UL, Canada	CSA 22.2 No. 60079-0 Ed. 3 / CSA 22.2 No. 60079-15:16

Power supply

Supply voltage range	36 V DC ... 52 V DC #10 % (via PoE)
	42 V DC ... 57 V DC (With UL approval)

Serial interface

Interface 1	Ethernet interface, 10/100/1000Base-T(X) according to IEEE 802.3u
Connection method	Push-in connection
Transmission length	100 m (including patch cables)
Conductor cross section solid min.	0.2 mm ²
Conductor cross section solid max.	1.5 mm ²
Conductor cross section flexible min.	0.2 mm ²
Conductor cross section flexible max.	1.5 mm ²
Conductor cross section AWG min.	26
Conductor cross section AWG max.	16

Patch panels - PP-RJ-SCC-F - 2703022

Technical data

Serial interface

Stripping length	8 mm
Pin assignment	1:1
Serial transmission speed	10/100/1000 Mbps
Maximum output current	725 mA (PoE)
Current carrying capacity	≤ 1.5 A (≤ 60 W (PoE+))
Maximum output power	60 W
Interface 2	Ethernet interface, 10/100/1000Base-T(X) according to IEEE 802.3u
Connection method	RJ45 CAT5e

Function

Designation	Shield current monitoring
Switch-on threshold	≥ 30 mA
Local diagnostics	Yellow LED
Precision	± 5 %
Response time	3 s
Continuous shield current	≤ 1.5 A
Power consumption	270 mW (Shield current monitoring)
Impedance	≤ 1 Ω
Voltage	≤ 10 V

Standards and Regulations

Electromagnetic compatibility	Conformance with EMC Directive 2014/30/EU
Type of test	Vibration resistance in acc. with EN 60068-2-6/IEC 60068-2-6
Test result	10 Hz ... 57 Hz, amplitude ±3.5 mm, 57 Hz ... 150 Hz, 5g
Type of test	Shock in acc. with EN 60068-2-27/IEC 60068-2-27
Test result	25g for 11 ms, three shocks in each direction
Standards/regulations	EN 61000-4-2
Contact discharge	± 6 kV (Test Level 3)
Indirect discharge	± 6 kV
Standards/regulations	EN 61000-4-3
Frequency range	80 MHz ... 3 GHz (Test Level 3)
Standards/regulations	EN 61000-4-4
Comments	Criterion B
Standards/regulations	EN 61000-4-5
Signal	± 1 kV (Data line, asymmetrical)
Standards/regulations	EN 61000-6-4
	EN 61000-4-6
Frequency range	0.15 MHz ... 80 MHz
Standards/regulations	DIN EN 61643-21
Rated insulation voltage	85 V DC
IEC test classification	C2
Conformance	CE-compliant

Patch panels - PP-RJ-SCC-F - 2703022

Technical data

Standards and Regulations

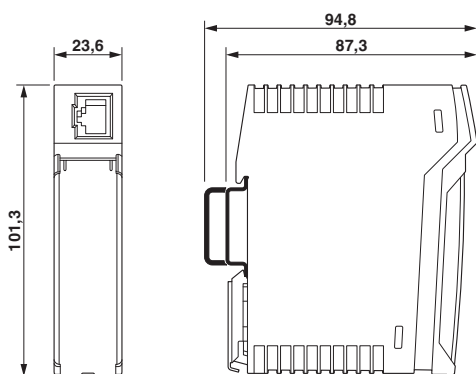
ATEX	# II 3 G Ex nA nC IIC T4 Gc X
UL, USA	UL 60079-0 Ed. 6 / UL 60079-15 Ed. 4
UL, USA/Canada	Class I, Zone 2, AEx nA IIC T4, Ex nA IIC Gc X T4
	Class I, Div. 2, Groups A, B, C, D
UL, Canada	CSA 22.2 No. 60079-0 Ed. 3 / CSA 22.2 No. 60079-15:16
Noxious gas test	ISA-S71.04-1985 G3 Harsh Group A

Environmental Product Compliance

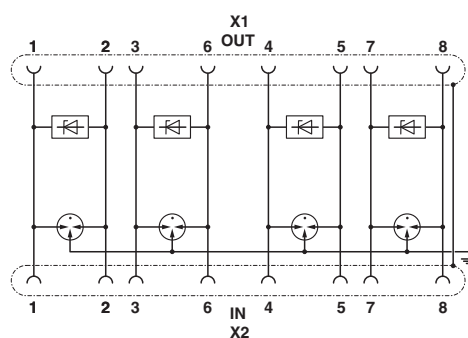
China RoHS	Environmentally friendly use period: unlimited = EFUP-e
	No hazardous substances above threshold values

Drawings

Dimensional drawing

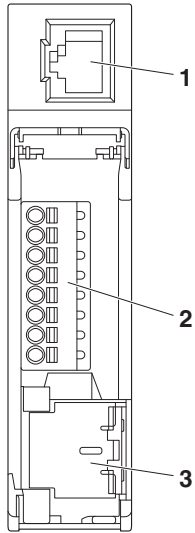


Circuit diagram

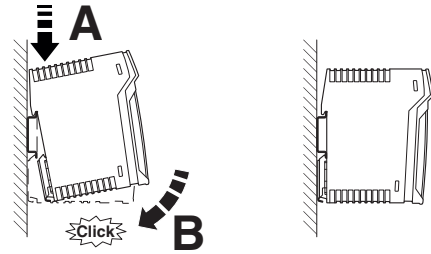


Patch panels - PP-RJ-SCC-F - 2703022

Schematic diagram



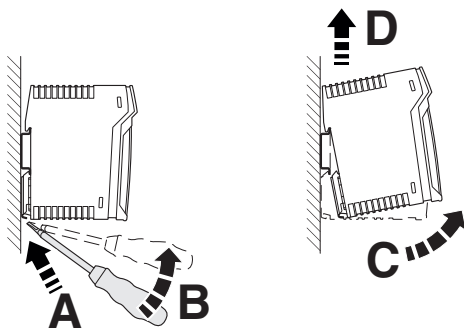
Schematic diagram



Mounting on a DIN rail

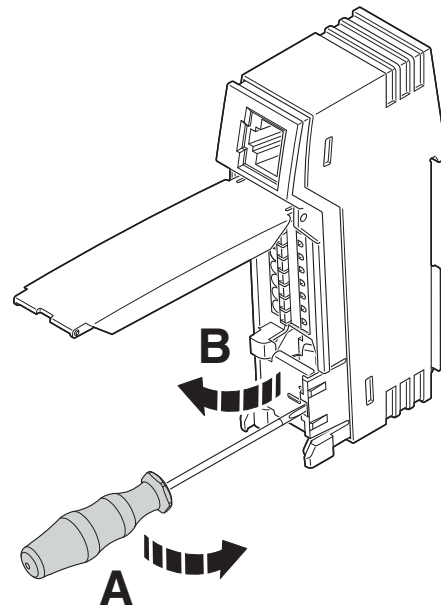
Front view

Schematic diagram



Removal

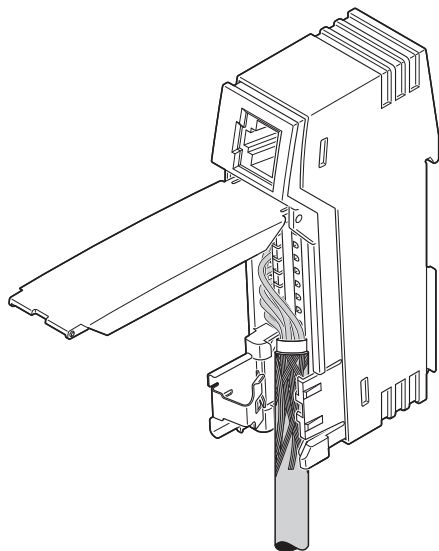
Schematic diagram



Open shield contact spring

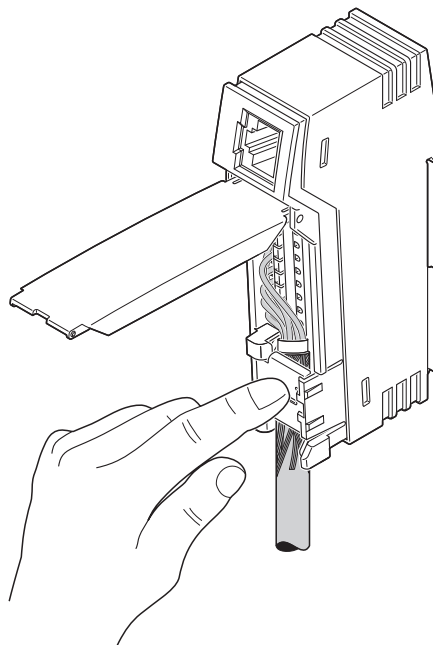
Patch panels - PP-RJ-SCC-F - 2703022

Schematic diagram



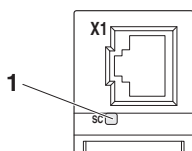
Inserting the cable

Schematic diagram



Close shield contact spring

Schematic diagram



Shield current monitoring

Classifications

eCl@ss

eCl@ss 6.0	19170100
eCl@ss 7.0	19170112
eCl@ss 8.0	19170112
eCl@ss 9.0	19170112

ETIM

ETIM 5.0	EC002599
ETIM 6.0	EC002599

Accessories

Accessories

Patch panels - PP-RJ-SCC-F - 2703022

Accessories

Data cable by the meter

Cable - FL CAT5 HEAVY - 2744814



CAT5-SF/UTP cable (J-02YS(ST)C HP 2 x 2 x 24 AWG), heavy-duty installation cable, 2 x 2 x 0.22 mm², solid conductor, shielded, outer sheath: 7.8 mm diameter, inner sheath: 5.75 mm ± 0.15 mm diameter

Network cable - FL CAT5 FLEX - 2744830



CAT5-SF/UTP cable (J-LI02YS(ST)C H 2 x 2 x 26 AWG), light-duty, flexible installation cable 2 x 2 x 0.14 mm², stranded, shielded, outer sheath: 5.75 mm ± 0.15 mm diameter

Network cable - VS-OE-OE-94F/... - 1417359



Network cable, Ethernet CAT6_A (10 Gbps), 8-position, PUR halogen-free, water blue RAL 5021, shielded, free cable end, on free cable end, cable length: Free entry (0.5 ... 400 m)

Data cable preassembled

Network cable - FL CAT5 HEAVY CONF/ - 2744827



CAT5-SF/UTP cable (J-02YS(ST)C HP 2 x 2 x 24 AWG), heavy-duty installation cable, 2 x 2 x 0.22 mm², solid conductor, shielded, outer sheath: 7.8 mm diameter, inner sheath: 5.75 mm ± 0.15 mm diameter, preassembled on both sides with RJ45 plug, crossover or line

Network cable - FL CAT5 FLEX CONF/ - 2744843



CAT5-SF/UTP cable (J-LI02YS(ST)C H 2 x 2 x 26 AWG), light-duty, flexible installation cable 2 x 2 x 0.14 mm², stranded, shielded, outer sheath: 5.75 mm ± 0.15 mm diameter, preassembled on both sides with RJ45 plug, crossover or line assignment

Data plug

Patch panels - PP-RJ-SCC-F - 2703022

Accessories

RJ45 connector - VS-08-RJ45-5-Q/IP20 - 1656725



RJ45 connector, degree of protection: IP20, number of positions: 8, 1 Gbps, CAT5 (IEC 11801:2002), material: PA, connection method: IDC fast connection, connection cross section: AWG 26- 23, cable outlet: straight, color: traffic grey A RAL 7042

RJ45 connector - VS-08-RJ45-5-Q/IP20 BK - 1658008



RJ45 connector, degree of protection: IP20, number of positions: 8, 1 Gbps, CAT5 (IEC 11801:2002), material: PA, connection method: IDC fast connection, connection cross section: AWG 26- 23, cable outlet: straight, color: black

Electronics pliers

Diagonal cutter - MICROFOX-SP - 1212488



Electronic diagonal cutter, tapered head, angled (21°), without chamfer, with opening spring

Network isolator

Network isolator - FL ISOLATOR 100-RJ/SC - 2313928



Passive network isolator for electrical isolation in Ethernet networks. This protects Ethernet devices from potential differences of up to 4 kV. Can be used for transmission speeds of up to 100 Mbps. Connection using RJ45 and COMBICON plug-in screw terminal block.

Network isolator - FL ISOLATOR 100-RJ/RJ - 2313931



Passive network isolator for electrical isolation in Ethernet networks. This protects Ethernet devices from potential differences of up to 4 kV. Can be used for transmission speeds of up to 100 Mbps. Possible to connect two RJ45 plugs.

Patch panels - PP-RJ-SCC-F - 2703022

Accessories

Network isolator - FL ISOLATOR 1000-RJ/RJ - 2313915



Passive network isolator for electrical isolation in Ethernet networks. This protects Ethernet devices from potential differences of up to 4 kV. Can be used for transmission speeds of up to 1 Gbps. Possible to connect two RJ45 plugs.

Network isolator - FL ISOLATOR 100-M12 - 2902985



Passive network isolator for electrical isolation in Ethernet networks. For the protection of Ethernet devices against potential differences of up to 4 kV. Can be used for transmission speeds of up to 100 Mbps. Ethernet connection via two M12 sockets (D-coded).

Patch cable

Patch cable - FL CAT5 PATCH 0,3 - 2832250



Patch cable, CAT5, assembled, 0.3 m

Patch cable - FL CAT5 PATCH 0,5 - 2832263



Patch cable, CAT5, assembled, 0.5 m

Patch cable - FL CAT5 PATCH 1,0 - 2832276



Patch cable, CAT5, assembled, 1 m

Patch panels - PP-RJ-SCC-F - 2703022

Accessories

Patch cable - FL CAT5 PATCH 1,5 - 2832221



Patch cable, CAT5, assembled, 1.5 m

Patch cable - FL CAT5 PATCH 2,0 - 2832289



Patch cable, CAT5, assembled, 2 m

Patch cable - FL CAT5 PATCH 3,0 - 2832292



Patch cable, CAT5, assembled, 3 m

Patch cable - FL CAT6 PATCH 0,3 - 2891181



Patch cable, CAT6, pre-assembled, 0.3 m

Patch cable - FL CAT6 PATCH 0,5 - 2891288



Patch cable, CAT6, pre-assembled, 0.5 m

Patch panels - PP-RJ-SCC-F - 2703022

Accessories

Patch cable - FL CAT6 PATCH 1,0 - 2891385



Patch cable, CAT6, pre-assembled, 1.0 m

Patch cable - FL CAT6 PATCH 1,5 - 2891482



Patch cable, CAT6, pre-assembled, 1.5 m

Patch cable - FL CAT6 PATCH 2,0 - 2891589



Patch cable, CAT6, pre-assembled, 2.0 m

Patch cable - FL CAT6 PATCH 3,0 - 2891686



Patch cable, CAT6, pre-assembled, 3.0 m

Patch cable - FL CAT6 PATCH 5,0 - 2891783



Patch cable, CAT6, pre-assembled, 5.0 m

Patch panels - PP-RJ-SCC-F - 2703022

Accessories

Patch cable - FL CAT6 PATCH 7,5 - 2891880



Patch cable, CAT6, pre-assembled, 7.5 m

Patch cable - FL CAT6 PATCH 10 - 2891877



Patch cable, CAT6, pre-assembled, 10 m

Patch cable - FL CAT6 PATCH 12,5 - 2891369



Patch cable, CAT6, pre-assembled, 12.5 m

Patch cable - FL CAT6 PATCH 15,0 - 2891372



Patch cable, CAT6, pre-assembled, 15.0 m

Patch cable - FL CAT6 PATCH 20,0 - 2891576



Patch cable, CAT6, pre-assembled, 20.0 m

Patch panel

Patch panels - PP-RJ-SCC-F - 2703022

Accessories

Patch panels - PP-RJ-RJ - 2703015



Patch panel, two RJ45 sockets, 10/100/1000 Mbps, DIN rail mounting, IP20

Patch panels - PP-RJ-SC - 2703016



Patch panel, RJ45 socket on screw terminal blocks, 10/100/1000 Mbps, DIN rail mounting, IP20, shield contacting with strain relief

Patch panels - PP-RJ-SCC - 2703018



Patch panel, RJ45 socket on Push-in terminal blocks, 10/100/1000 Mbps, DIN rail mounting, IP20, shield contacting with strain relief

Patch panels - PP-RJ-IDC - 2703019



Patch panel, RJ45 socket on IDC terminal blocks, 10/100/1000 Mbps, DIN rail mounting, IP20, shield contacting with strain relief

Screwdriver tools

Screwdriver - SZF 0-0,4X2,5 - 1204504



Actuation tool, for ST terminal blocks, also suitable for use as a bladed screwdriver, size: 0.4 x 2.5 x 75 mm, 2-component grip, with non-slip grip

Patch panels - PP-RJ-SCC-F - 2703022

Accessories

Screwdriver - SZF 0-0,4X2,5 - 1204504



Actuation tool, for ST terminal blocks, also suitable for use as a bladed screwdriver, size: 0.4 x 2.5 x 75 mm, 2-component grip, with non-slip grip

Universal tools

Assembly tool - FL CRIMPTOOL - 2744869



Crimping pliers, for assembling the RJ45 plugs FL PLUG RJ45..., for assembly on site

Stripping tool - VS-CABLE-STRIP-VARIO - 1657407



Stripping tool, for the multi-level stripping of shielded cables

Additional products

Patch panels - FL-PP-RJ45-SC - 2901643



Patch panel, one RJ45 socket to 8 screw connection terminal blocks (1:1 assignment), CAT5e, 10/100/1000 Mbps, DIN rail mounting, IP20, option of shield contacting on DIN rail via jumpers

Patch panels - FL-PP-RJ45-LSA - 2901645



Patch panel, one RJ45 socket to 8 IDC connection terminal blocks (1:1 assignment), CAT5e, 10/100/1000 Mbps, DIN rail mounting, IP20, option of shield contacting on DIN rail via jumpers

Patch panels - PP-RJ-SCC-F - 2703022

Accessories

Patch panels - FL-PP-RJ45/RJ45 - 2901646



Patch panel, two RJ45 sockets (1:1 assignment), CAT5e, 10/100/1000 Mbps, DIN rail mounting, IP20, option of shield contacting on DIN rail via jumpers