

# Sealing cap - PROT-M12 FS-M

1430488

<https://www.phoenixcontact.com/de/produkte/1430488>

Please be informed that the data shown in this PDF document is generated from our Online Catalog. Please find the complete data in the user documentation. Our General Terms of Use for Downloads are valid.



M12 metal sealing cap for unoccupied M12 plugs of the sensor/actuator cable, flush-type plugs and I/O devices in the field

## Your advantages

- Reliable protection of unoccupied slots during transport and use in the field
- Robust and reliable: brass protective cap up to IP69K degree of protection
- Protected against splash water and dust by the internal seal
- Easy assembly by hand or using a wrench

## Commercial Data

Item number	1430488
Packing unit	10 pc
Minimum order quantity	10 pc
Sales Key	C1 - Sensor-Aktor-Kabel
Product Key	BF3ZAX
Catalog Page	Page 54 (C-2-2019)
GTIN	4046356325776
Weight per Piece (including packing)	9,51 g
Weight per Piece (excluding packing)	9,5 g
Customs tariff number	74198090
Country of origin	DE

# Sealing cap - PROT-M12 FS-M



1430488

<https://www.phoenixcontact.com/de/produkte/1430488>

## Technical Data

### Notes

General	Use up to max. 48 V AC and 60 V DC
---------	------------------------------------

### Product properties

Product type	Protective cap
Thread type	M12

### Material specifications

Color	silver
Material	CuZn/Ni
Sealing material	NBR

### Environmental and real-life conditions

#### Ambient conditions

Degree of protection	IP65
	IP67
	IP69K
Ambient temperature (operation)	-40 °C ... 85 °C

# Sealing cap - PROT-M12 FS-M

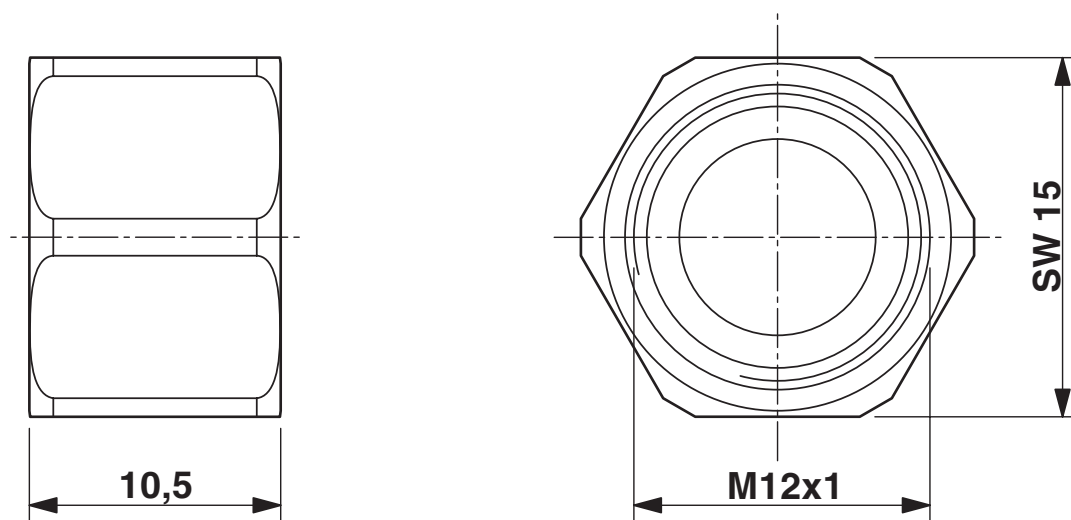
1430488

<https://www.phoenixcontact.com/de/produkte/1430488>



## Drawings

Dimensional drawing



# Sealing cap - PROT-M12 FS-M



1430488

<https://www.phoenixcontact.com/de/produkte/1430488>

## Classifications

### ECLASS

ECLASS-9.0	23111190
ECLASS-10.0.1	23111190
ECLASS-11.0	23111190

### ETIM

ETIM 8.0	EC000032
----------	----------

### UNSPSC

UNSPSC 21.0	31261500
-------------	----------

# Sealing cap - PROT-M12 FS-M



1430488

<https://www.phoenixcontact.com/de/produkte/1430488>

## Environmental Product Compliance

REACH SVHC	Lead 7439-92-1
China RoHS	Environmentally Friendly Use Period = 50 years
	For information on hazardous substances, refer to the manufacturer's declaration available under "Downloads"

Phoenix Contact 2022 © - all rights reserved  
<https://www.phoenixcontact.com>

PHOENIX CONTACT Deutschland GmbH  
Flachsmarktstraße 8  
D-32825 Blomberg  
+49 52 35/3-1 20 00  
[info@phoenixcontact.de](mailto:info@phoenixcontact.de)