

# Screw plug - PROT-M12 SH

1503302

<https://www.phoenixcontact.com/de/produkte/1503302>

Please be informed that the data shown in this PDF document is generated from our Online Catalog. Please find the complete data in the user documentation. Our General Terms of Use for Downloads are valid.



An M12 screw plug for the unoccupied M12 sockets of the shielded sensor/actuator cable, boxes and flush-type connectors

## Your advantages

- Reliable protection of unoccupied slots during transport and use in the field
- Reliable shielding in environments subject to electromagnetic interference
- Protected against splash water and dust
- Easy assembly by hand or using a screwdriver
- Good haptics due to ribbing

## Commercial Data

Item number	1503302
Packing unit	5 pc
Minimum order quantity	5 pc
Sales Key	C1 - Sensor-Aktor-Kabel
Product Key	BF3ZAX
Catalog Page	Page 54 (C-2-2019)
GTIN	4017918910020
Weight per Piece (including packing)	12,2 g
Weight per Piece (excluding packing)	4,218 g
Customs tariff number	76169990
Country of origin	DE

# Screw plug - PROT-M12 SH

1503302

<https://www.phoenixcontact.com/de/produkte/1503302>



## Technical Data

### Notes

General	Use up to max. 48 V AC and 60 V DC
General	Not suitable for M12 sockets with K, L, or M coding

### Product properties

Product type	Plug for cable screw gland
Thread type	M12

### Material specifications

Color	silver
Material	Aluminum

### Environmental and real-life conditions

#### Ambient conditions

Degree of protection	IP67
----------------------	------

# Screw plug - PROT-M12 SH

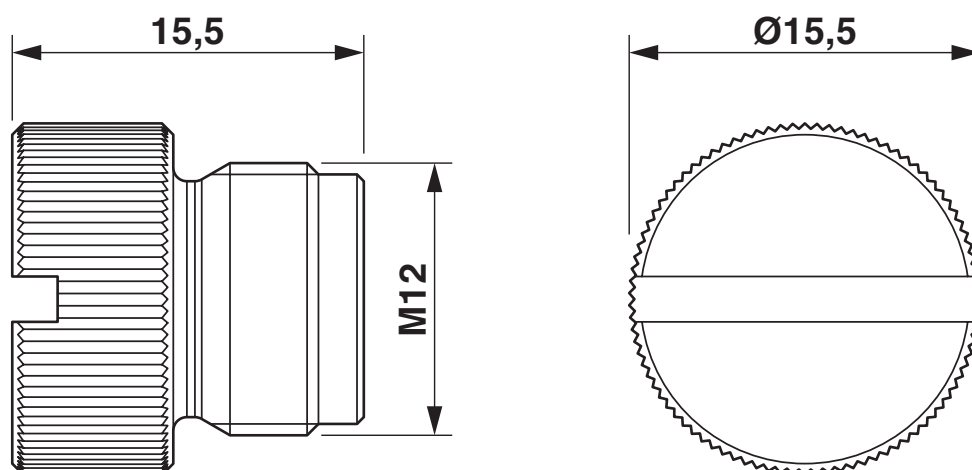
1503302

<https://www.phoenixcontact.com/de/produkte/1503302>



## Drawings

Dimensional drawing



# Screw plug - PROT-M12 SH

1503302

<https://www.phoenixcontact.com/de/produkte/1503302>



## Classifications

### ECLASS

ECLASS-9.0	23111190
ECLASS-10.0.1	23111190
ECLASS-11.0	23111190

### ETIM

ETIM 8.0	EC000032
----------	----------

### UNSPSC

UNSPSC 21.0	31261500
-------------	----------

# Screw plug - PROT-M12 SH

1503302

<https://www.phoenixcontact.com/de/produkte/1503302>



## Environmental Product Compliance

China RoHS

Environmentally friendly use period: unlimited = EFUP-e

No hazardous substances above threshold values

# Screw plug - PROT-M12 SH

1503302

<https://www.phoenixcontact.com/de/produkte/1503302>



## Accessories

### Screwdriver

Screwdriver - SZF 3-1,0X5,5 - 1206612

<https://www.phoenixcontact.com/de/produkte/1206612>



Actuation tool, for ST terminal blocks, also suitable for use as a bladed screwdriver, size: 1.0 x 5.5 x 150 mm, 2-component grip, with non-slip grip

---

Phoenix Contact 2022 © - all rights reserved  
<https://www.phoenixcontact.com>

PHOENIX CONTACT Deutschland GmbH  
Flachsmarktstraße 8  
D-32825 Blomberg  
+49 52 35/3-1 20 00  
[info@phoenixcontact.de](mailto:info@phoenixcontact.de)